

# User manual

**FAVOTERM**  
Pflegebetten & Hilfsmittel

MANUEL D'UTILISATION  
GEBRUIKSAANWIJZING  
GEBRAUCHSANWEISUNG  
MANUALE DI ISTRUZIONI  
MANUAL DE INSTRUCCIONES  
INSTRUKCJA OBSŁUGI  
NÁVOD K OBSLUZE

## Albatros



**EN**

**Instructions for specialist dealer**

This instruction manual is part and parcel of the product and must accompany every product sold.

Version: C, 2022-10

**FR**

**Instructions pour les distributeurs**

Ce manuel d'instructions fait partie du produit et doit accompagner chaque produit vendu.

Version : C, 2022-10

**NL**

**Instructies voor de vakhandelaar**

Deze handleiding is deel van het product en dient bij iedere product te worden geleverd.

Versie: C, 2022-10

**DE**

**Hinweise für den Fachhändler**

Diese Gebrauchsanweisung ist Bestand-teil des Produkts und ist bei jeder Produkts auszuhändigen.

Version: C, 2022-10

**IT**

**Istruzioni per il rivenditore**

Il presente Manuale di istruzioni è parte integrante del prodotto e deve essere fornito assieme alla prodotto.

Versione: C, 2022-10

**ES**

**Instrucciones destinadas a los distribuidores especializados**

El presente manual de instrucciones es parte integrante del producto y se debe adjuntar a todas las producto que se vendan.

Versión: C, 2022-10

**PL**

**Instrukcje dla wyspecjalizowanego sprzedawcy**

Niniejsza instrukcja obsługi jest nieodłączną częścią produktu i musi być dołączona do każdego sprzedawanego produktu.

Wersja: C, 2022-10

**CS**

**Pokyny pro specializovaného prodejce**

Tento návod k obsluze je součástí dodávky a musí být součástí každého prodaného produktu.

Verze: B, 2022-10

**All rights reserved, including translation.**

**Tous droits réservés, y compris la traduction.**

**Alle rechten, inclusief vertaling, voorbehouden.**

**Alle Rechte, auch an der Übersetzung, vorbehalten.**

**Tutti i diritti riservati (anche sulla traduzione).**

**Todos los derechos reservados, incluidos los de la traducción.**

**Wszelkie prawa zastrzeżone, łącznie z tłumaczeniem.**

**Všechna práva vyhrazena, včetně překladu.**



English

Français

Nederlands

Deutsch

Italiano

Español

Polski

Czech

*User manual*

*Manuel d'utilisation*

*Gebruiksaanwijzing*

*Bedienungshandbuch*

*Manuale di istruzioni*

*Manual de instrucciones*

*Instrukcja obsługi*

*Návod k obsluze*

This page is intentionally left blank



## Contents

<b>Contents</b> .....	<b>1</b>
<b>Preface</b> .....	<b>2</b>
<b>1 Your product</b> .....	<b>3</b>
<b>2 Before use</b> .....	<b>4</b>
2.1 Intended use .....	4
2.2 General safety instructions.....	4
<b>3 Using the patient hoist</b> .....	<b>5</b>
3.1 Operating the lift.....	5
3.2 Slings .....	7
3.3 Battery and charging .....	8
3.4 Emergency .....	10
<b>4 Installation and adjustment</b> .....	<b>11</b>
4.1 Delivery .....	11
4.2 Assembly or dismantling .....	11
4.3 Swapping the battery .....	15
<b>5 Maintenance</b> .....	<b>16</b>
5.1 Time of maintenance.....	16
5.2 Shipping and storage .....	17
5.3 Cleaning.....	17
5.4 Disinfection .....	17
5.5 Inspection.....	18
5.6 Expected lifespan.....	18
5.7 Reuse.....	18
5.8 End of use.....	18
<b>6 Troubleshooting</b> .....	<b>19</b>
<b>7 Technical specifications</b> .....	<b>20</b>

## Preface

Congratulations! You are now owner of a Vermeiren patient hoist!

This product is made by qualified and committed personnel. It is designed and produced according to high quality standards, guarded by Vermeiren.

Thank you for your trust in the products of Vermeiren. To support you on the use of this patient hoist and its operating options, this manual is offered. Please read it carefully; it will help you to get familiar with the operation, capabilities and limitations of your product.

If you still have questions after reading this manual, do not hesitate to contact your specialist dealer. He/she will be glad to help you.

### **Important note**

To ensure your safety and to prolong the lifetime of your product, please take good care of it and have it checked and serviced on a regular basis.

This manual reflects the latest product developments. Vermeiren has the right to implement changes to this type of product without any obligation to adapt or replace similar products previously delivered.

Pictures of the product are used to clarify the instructions in this manual. Details of the depicted product may deviate from your product.

### **Information available**

On our website <http://www.vermeiren.com/> you will always find the most recent version of the information in this manual. Please consult this website regularly for possible updates.

Visually impaired people can download the electronic version of this manual and have it read out by means of a text-to-speech software application.



This user manual  
For user and specialist dealer



Service manual  
For specialist dealer



EC declaration of conformity

# 1 Your product



1. Buttons for mounting straps
2. Cantilever arm
3. Transport holder for motor
4. Motor
5. Leg support
6. Chassis
7. Footplate
8. Caster
9. Transport holder for cantilever arm
10. Battery
11. Emergency stop
12. Control box
13. Pole
14. Handle for pushing
15. Manual operation
16. Foldaway lock
17. Safety spindle
18. Chassis expansion pedal
19. Caster with brake

## 2 Before use

### 2.1 Intended use

In this paragraph a brief description of the intended use of your patient hoist is given. Additionally, relevant warnings are added to the instructions in the other paragraphs. In this way we would like to make you aware of the possible misuse that may appear.

- Indications and contraindications: This patient hoist is meant to be operated by an attendant to transfer sitting patients between e.g. wheelchairs, nursing beds and bathrooms. The patient hoist is designed and produced to be a transport/transfer aid for elderly persons or persons who suffer from paralysis, limb loss or defects, stiff or damaged joints, cardiovascular problems, cachexia, ... . When used accordingly, no contraindications are known.
- This patient hoist is suitable for indoor use.
- This patient hoist is designed and produced solely to transport/transfer one (1) person with a maximum weight of 150 kg. It is not designed for transportation of goods or objects, nor for any use other than previously described.
- Only use accessories and spare parts approved by Vermeiren.
- Please read all technical details and limits of your patient hoist in chapter 7.
- The warranty on this product is based on normal use and maintenance as described in this manual. Damage to your product caused by improper use or lack of maintenance will cause the warranty to lapse.

### 2.2 General safety instructions



CAUTION

Risk of injuries and/or damage

Please read and follow the instructions in this manual. Otherwise you may get injured or your patient hoist may get damaged.

Keep the following general warnings in mind during use:

- The patient hoist must only be operated by qualified staff who have been instructed or trained in its specific application.
- Do not exceed the maximum load for the patient hoist. This will shut down the control box.
- In case of different user weights for patient hoist and slings, always observe the lowest user weight.
- An attendant needs to be present during the lifting operation.
- Be aware that some parts of the patient hoist may get very hot or cold due to ambient temperature, solar radiation or heating devices. Be careful when touching.
- The patient hoist has been tested for electromagnetic compatibility and complies with the standard. Nevertheless, sources of electromagnetic fields may influence the performance of the patient hoist, such as the fields of mobile phones, power generators or high-power energy sources. On the other hand, the electronics of the patient hoist can affect other electronic appliances too.
- Only use the patient hoist on flat surfaces where all castors touch the ground and where there is sufficient contact to operate the patient hoist safely. Do not take obstacles with the patient hoist while transferring a patient.
- Do not use the patient hoist in wet or humid environments.
- Alterations or substitutions should not be made to the patient hoist securement points or to structural and frame parts or components without consulting the manufacturer.
- Make sure that your hands, clothes, belts, buckles or jewellery don't get caught by wheels or other moving parts during use.
- Be careful with sources of ignition such as lit cigarettes as they may set the sling alight.

In case a serious incident has occurred involving your product, notify Vermeiren or your specialist dealer as well as the competent authority in your country.



## 3 Using the patient hoist

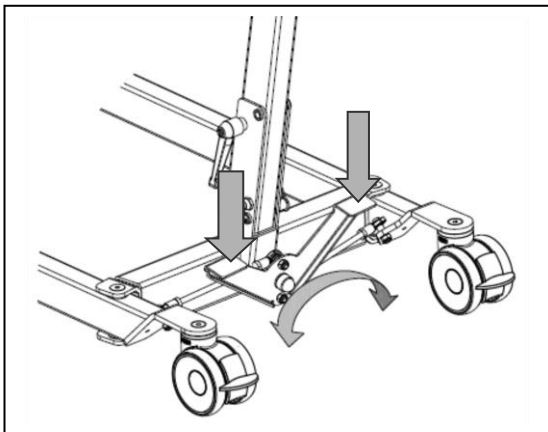
### 3.1 Operating the lift

 CAUTION Risk of injuries and/or damage

- When using the lift, make sure that there is sufficient room around and above it, as the adjustment movements could otherwise lead to damage or injury.
- Always be aware of the lifting arm to avoid injury.
- Only slings that have been designed and approved for the patients must be used (see usage instructions for the various slings). Use of any other slings is at your own risk.
- Only use the handles to push/pull the patient hoist, no other components.

Please observe the technical information according to which the patient hoist may be operated. The patient hoist must only be operated by authorised staff who have been trained in its use and operation.

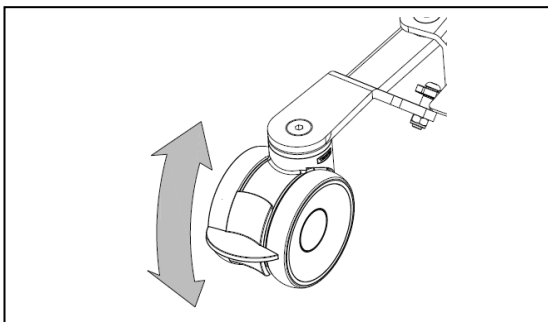
#### 3.1.1 Altering the chassis width



To get the lift around a wheelchair or other seating furniture, or to increase the stability of the lift in the standing position, the separation of the chassis legs can be increased.

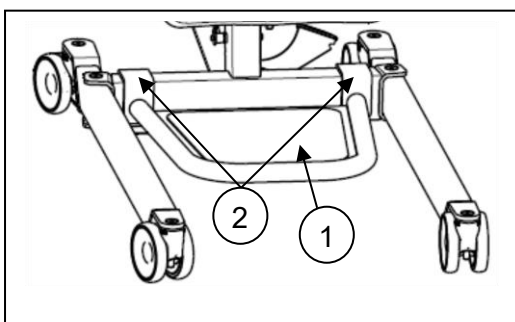
Stand behind the assembled lift and take hold of the handles for pushing the patient hoist (on the left and right, next to the control box). Press the lever at the bottom of the chassis (left or right) down with your foot, and the separation of the legs of the chassis can be increased or decreased.

#### 3.1.2 Parking brakes



Secure the two casters at the back of the chassis by pressing the caster brake plates down gently to their end stops with the tip of your foot. To release the brake, push the brake plate gently back up again with the front of your foot until the casters are free.

#### 3.1.3 Footplate



The footplate ① can be mounted or removed with the hooks ② to/from the chassis of the patient hoist.

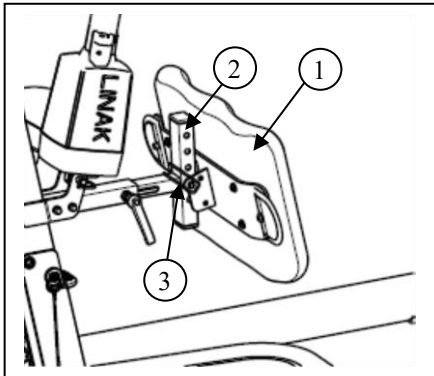
### 3.1.4 Leg support



CAUTION

Risk of injuries

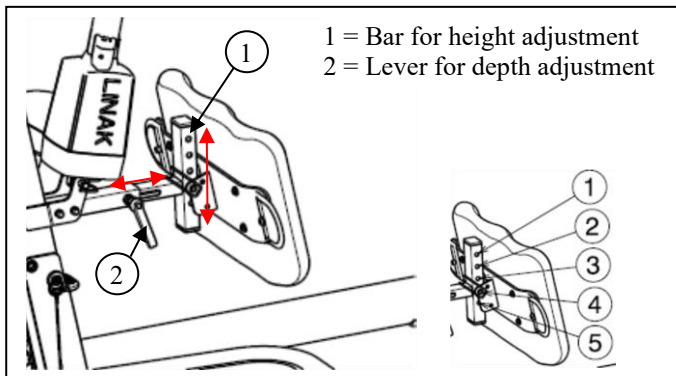
- Do not drop the leg support on the patient when adjusting.



The leg support ① can be mounted on the bar of the patient hoist ② with the safety pin ③.

The leg support is meant to keep the legs of the patient in the correct position and to support the legs of the patient while standing up.

The leg supports can be adjusted in depth and 5 different heights.



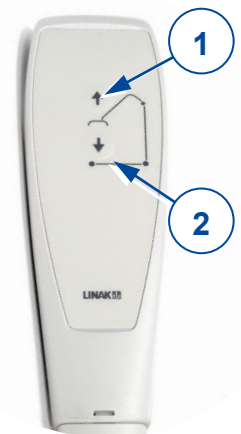
Height from footplate to top of leg support	Position
520 mm	Hole 1
495 mm	Hole 2
470 mm	Hole 3
445 mm	Hole 4
420 mm	Hole 5

### 3.1.5 Raising and lowering the cantilever arm

The manual control allows the cantilever arm to be adjusted smoothly to any point.

- ① = Raise the cantilever arm
- ② = Lower the cantilever arm

When using the lift function until the end of the hoist motor, the limit switch is activated by electronics (security function). Use the lifting function only in the middle of the adjustment range.




### 3.1.6 Moving the patient hoist

 CAUTION Risk of injuries

- Be careful passing through restricted passages (e.g. doors).
  1. Stand behind the patient hoist and grasp the handles (left and right, next to the control box) with both hands.
  2. Make sure that both back caster brakes have been released.
  3. Push the patient hoist slowly into the desired position.


When it is not loaded, we advise you to pull the patient hoist backwards, which makes it easier to get round any obstacles (door frames, corners of rooms or furniture).

### 3.1.7 Turn the patient hoist around his axle

 CAUTION Risk of injuries

- Be careful there are no people or objects in the swing range of the patient hoist.
- Turn the patient hoist carefully and slowly around his axle, so that the patient cannot swing out.
  1. Open the legs of the patient hoist to give more stability.
  2. Activate the brakes.
  3. Place the patient in the patient hoist with the appropriate sling. (refer to sling manual for instructions of placing the patient in the hoist).
  4. Lift the patient from the ground, chair, bed, ... .
  5. Loosen both brakes of the rear wheels.
  6. Stand behind the patient hoist and grasp the handgrips (left and right next to the control box) with both hands.
  7. Now turn the patient hoist carefully, slowly around on the same place. Be careful you do not touch any objects with the legs of the patient hoist.
  8. When you are turned in the good position, you can lift the patient down.

## 3.2 Slings

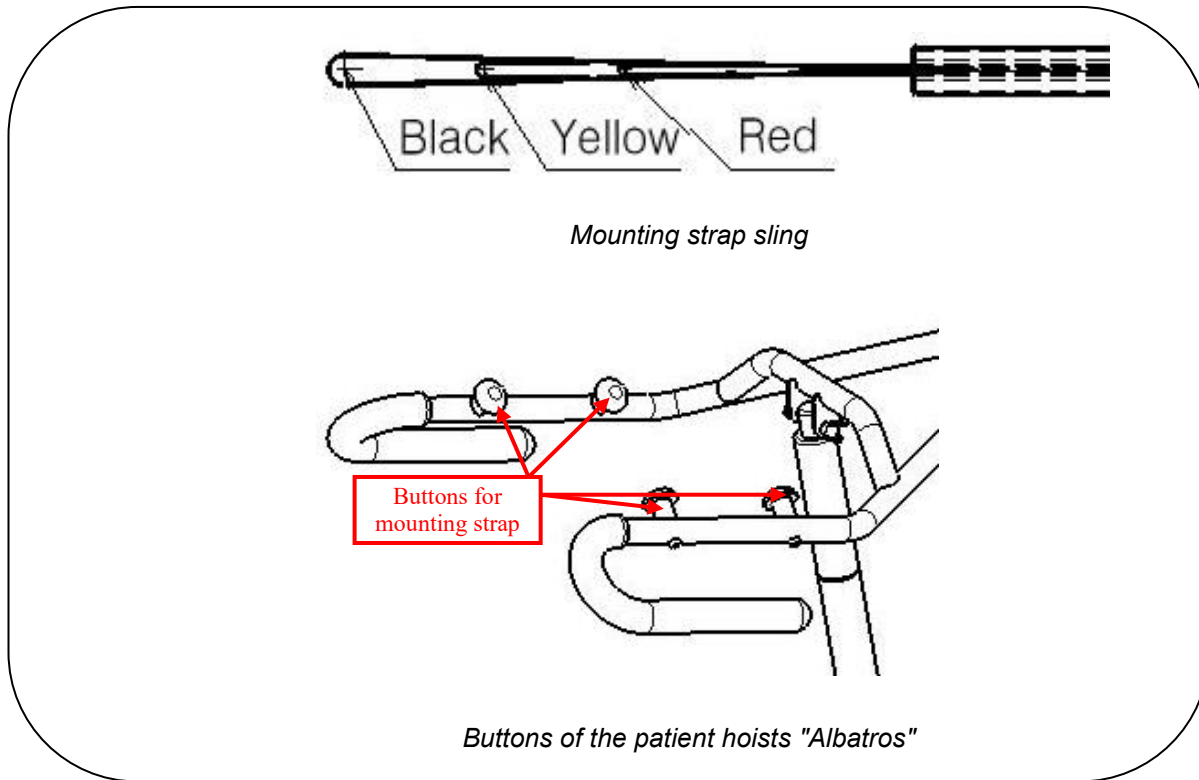
 CAUTION Risk of injuries

- Only use appropriate slings for the patients.
- Do not use damaged slings.
- Read the full slings manual first.
- Only use compatible slings approved by Vermeiren.

### 3.2.1 Attaching to the buttons of the patient hoist

The slings are attached by the mounting straps. These mounting straps shall be suspended on the buttons of the patient hoist.

The mounting straps of the slings have 3 loops in different colors.



With the 3 different loops it is possible to raise patients from different heights.

Color	Description
Red	Tall patients, the hands of the patient can come close to the grip arms of the patient hoist so the patient can help actively to stand up.
Yellow	Combination
Black	Small patients: Patient is relatively short compared to the height of the buttons.

### 3.3 Battery and charging

#### 3.3.1 Battery



The battery is above the control box and is replaceable with an integrated clip system.

Primary voltage	24 VDC
Ambient temperature	+5°C to +40°C
Ambient storage temperature	-10° to +40°C
Relative storage humidity	max. 80% (non-condensing)
Conformity	tested in accordance with IEC 60601-1

### 3.3.2 Control box + included battery charger



The control box is designed with a red emergency stop and an internal battery charger.

Primary voltage	100 - 240 VAC / 50/60 Hz
Secondary voltage (charging voltage)	24 VDC, max. 250 VA
Secondary current (charging current)	max. 10 A
Safeguards	Protected against reverse polarisation, electrical surges and extreme temperature
Ambient temperature	+5°C to +40°C
Ambient storage temperature	-10° to +40°C
Relative storage humidity	max. 80% (non-condensing)
Conformity	tested in accordance with IEC 60601-1

We reserve the right to introduce technical changes.

### 3.3.3 External charger (OPTIONAL)



The external charger shall be mounted on the wall. It is possible to charge the spare battery (optional) with this external charger and you have no waiting time to use the patient hoist when charging the batteries.

Primary voltage	100 - 240 VAC / 50/60 Hz
Charging current	max. 650 mA
Ambient temperature	+5°C to +40°C
Ambient storage temperature	-10° to +40°C
Relative storage humidity	max. 80% (non-condensing)

### 3.3.4 Charging the batteries

Use only the control box with included battery charger on the Eagle 625 or the external charger meant to be mounted on the wall.

We recommend that you should regularly recharge the batteries in order to ensure that the hoist remains usable and to extend the lifespan of the batteries. The control box will give a warning sound to tell you when the battery charge is low.

#### **First use**

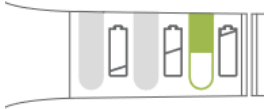
First, insert the supply cable with the connector side into the appropriate connector on the control box. The plug side of the supply cable must be insert in the socket outlet. The loading time is about 24 hours.

#### **Recharging**

**⚠ WARNING: Risk of injury – Do not use the lift when the supply cable is connected in the socket outlet.**

When the battery is running low, half of the green LED will blink and a single beep can be heard when the hoist is activated.

If the LED is blinking and a continuous beep can be heard, there are only two cycles left on the battery.



When the batteries are recharging, half of the LED will light green. The battery is fully charged once the LED is fully green.

After the recharging process is completed, you should always remove the mains plug from the socket first and then remove the connector plug from the control box.

Do not use the lift while it is being recharged!

If the batteries are not used for a significant period, they discharge slowly by themselves (deep discharge). It then becomes impossible to recharge them. You should therefore recharge the batteries at least once a month even if they are not being used.

### 3.4 Emergency

In cases for emergency the emergency stop and the function for lowering in an emergency must be used.

#### 3.4.1 Emergency stop

In emergencies, and during assembly and disassembly, the emergency stop is activated by pressing the red button on the control box.

Push on the button and turn in the direction of the arrows. If the button is fully pressed to the back turn back in the opposite direction of the arrows.

The emergency stop is deactivated by turning the red button in the direction of the arrows.



#### 3.4.2 Emergency lowering

**⚠ WARNING: Risk of injury – Adjust the manual emergency lowering for the weight of the patient.**

Emergency lowering if the power fails or the batteries are empty can be done using the red pull button ① at the lower end of the motor. This emergency lowering is factory-set for a patient weight of 75 kg.

Standard calibration: 3000N, 16 mm/s to lower the patient.

Please note that the manual emergency lowering is only possible when the patient is sitting in the patient hoist.



## 4 Installation and adjustment

The patient hoist is delivered fully assembled by your specialist dealer.

**The instructions in this chapter are for the specialist dealer.**

To find a service facility or specialist dealer near you, contact the nearest Vermeiren facility.

**⚠ WARNING: Risk of unsafe limitations - Use only the limitations described in this manual.**

### 4.1 Delivery

The Vermeiren Albatros patient hoist shall be delivered with:

- chassis including 4 casters (2 with brakes)
- pole, including handles for pushing
- cantilever arm with attachment for sling
- control box (+ included battery charger)
- battery
- manual control
- motor
- instruction manual
- foot plate
- leg support

Before use check if everything is included and that no products are damaged (example by transport, ...).

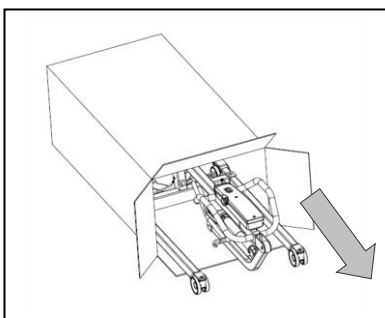
Please note that the basic configuration may vary from one European country to another. Please contact the specialist dealer in your country for more information.

### 4.2 Assembly or dismantling

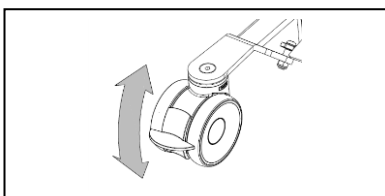
#### 4.2.1 Unpacking

**⚠ WARNING: Risk of injury - After unpacking and before further assembly, always first confirm that the emergency stop (the red pushbutton on the control box) is pressed in.**

The patient hoist packaging has been selected to provide the best possible protection during transport.



1. Take the patient hoist out of the box and check that all the items have been delivered and that the individual parts do not have any visible defects. If there is any damage, please contact your sales office.

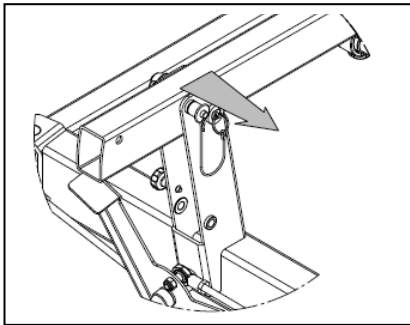


2. Before assembly, put on the caster brakes to make sure that the lift cannot be moved unintentionally. Push the caster brake plate down gently to its end stop with the front of your foot. To release the brake, push the brake plate gently back up again with the front of your foot until the caster is free.

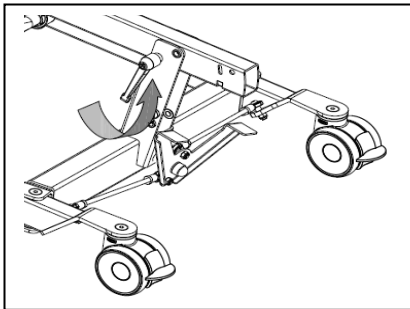


## 4.2.2 Assembly

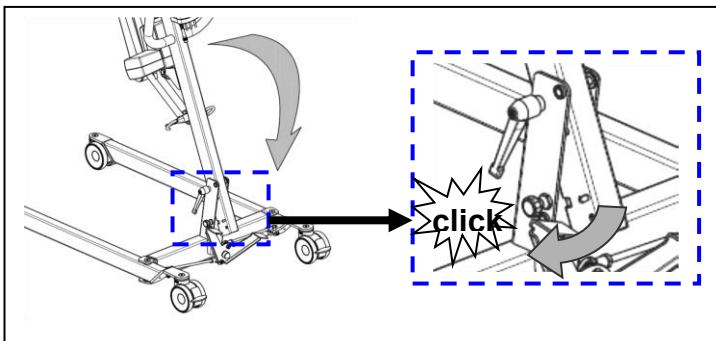
**⚠ WARNING: Risk of clamping - Take care that no body parts and wires get trapped, crushed or cut during assembly.**



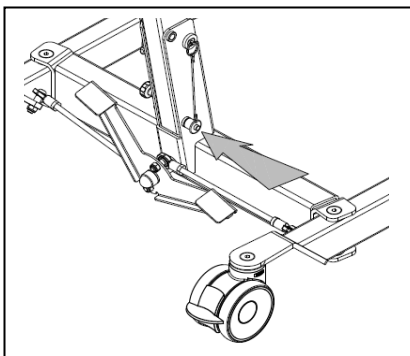
1. Remove the safety spindle (locking pin) from the bottom end of the pole by gently pressing the button at the head of the spindle. The safety spindle can now be removed easily.



2. Undo the transport lock (wing screw) gently and the pole can now be raised.

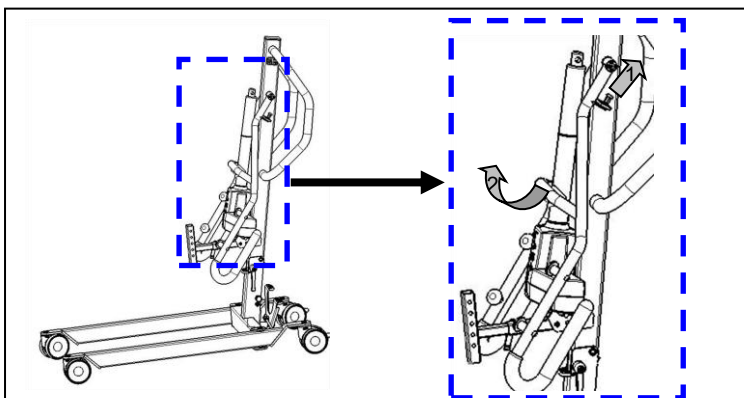


- 2.a The standing position safety (traction screw) clicks audibly into place once the pole is put in its final position.



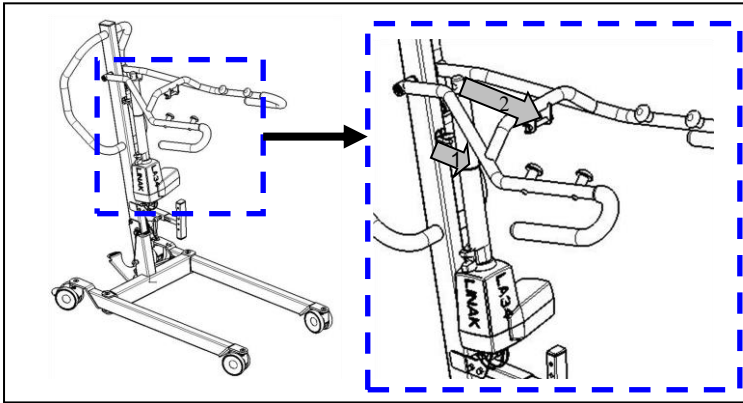
3. **⚠ WARNING: Risk of injury - Make sure that the safety spindle is correctly inserted.**

Fix the pole in place by pushing the safety spindle at the end of the pole in with the pushbutton depressed until its other end clearly protrudes. Release the pushbutton on the safety spindle and check that it cannot be pulled out.



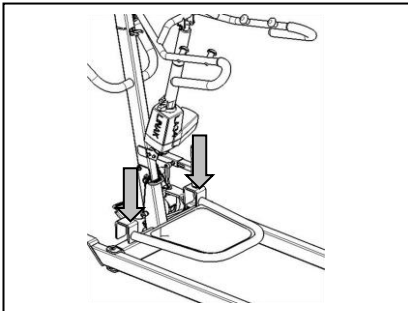
4. Remove the cantilever arm from the top end of the pole (2). This is possible by pulling on the pen (1).



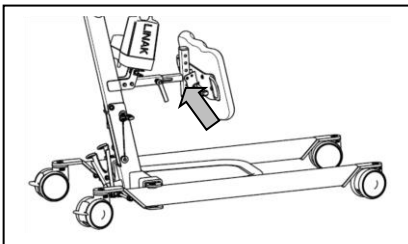


5. Remove the actuator gently by pulling out of the black clip (1).

6. Attach the actuator on the cantilever arm by the locking pin (2). Take care that the actuator is positioned very well between the cantilever arm.



7. Attach the footplate with the hooks to the chassis of the patient hoist.

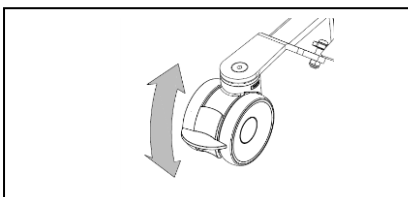


8. Attach the leg support by the locking pin. Position the leg support to the desired height and depth.

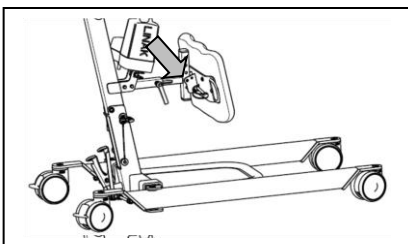
#### 4.2.3 Dismantling

**⚠ WARNING: Risk of clamping - Take care that no body parts and wires get trapped, crushed or cut during dismantling.**

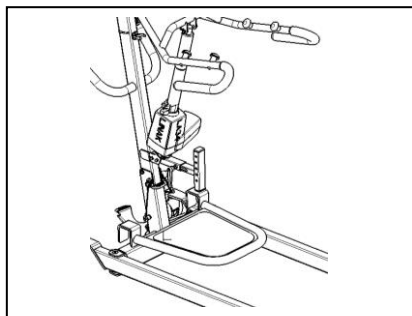
**⚠ WARNING: Risk of injury - Check the emergency stop (red pushbutton on the control box) is activated, to avoid unintentional adjustment movements.**



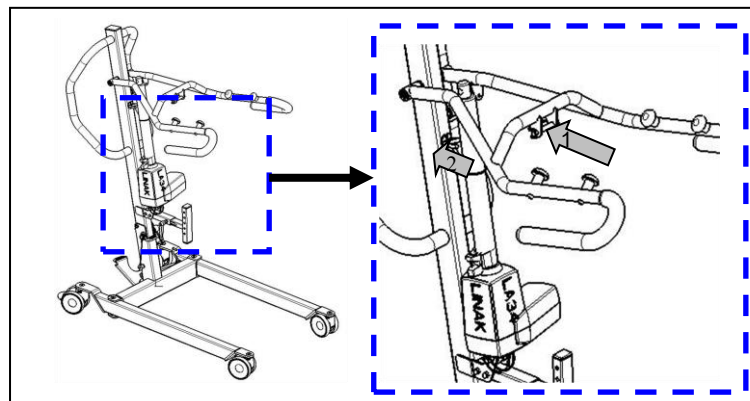
1. Secure the two casters at the back of the chassis by pressing the caster brake plates down gently to their end stops with the tip of your foot. To release the brake, push the brake plate gently back up again with the front of your foot until the casters are free.



2. Remove the leg support by the locking pin.

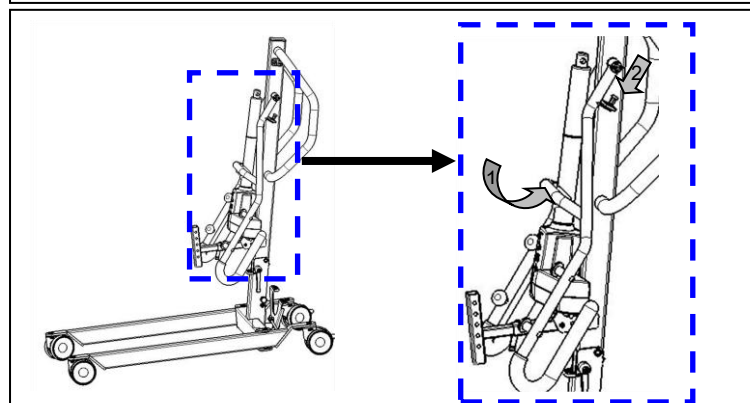


3. Remove the footplate from the chassis of the patient hoist.

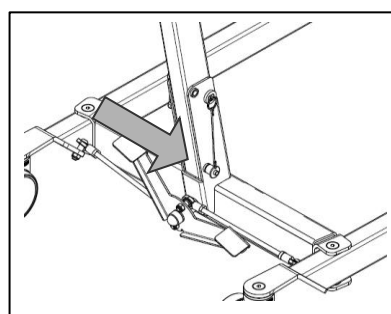


4. Dismantle the actuator (motor) from the cantilever arm by removing the locking pin (1).

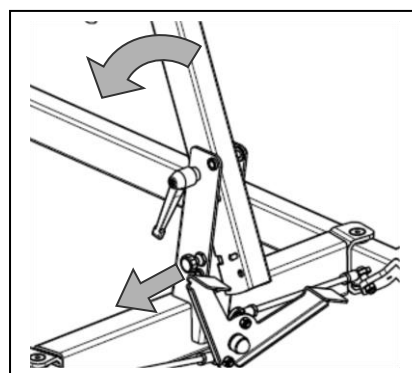
5. Move the actuator to the bottom position and place the actuator in the black clip (2).



6. Move the cantilever arm to the bottom position (1). Fasten the pin on the top end of the pole in the hole of the cantilever arm (2).



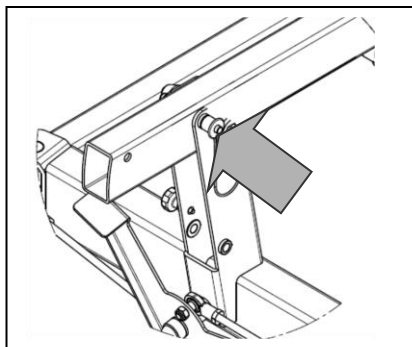
7. Remove the safety spindle (locking pin) from the bottom end of the pole by gently pressing the button at the head of the spindle. The safety spindle can now be removed easily.



8. **⚠ WARNING: Risk of injury - Once the pole is unlocked, its own weight can cause considerable downward forces to be exerted.**

Pull out the standing position safety (traction screw) until the pole is released and can be tilted. The pole can now be tilted forwards.

Tip the pole as far as possible forward.



9. **⚠ WARNING: Risk of injury - Make sure that the safety spindle is correctly inserted.**

Fix the pole in place by pushing the safety spindle at the end of the pole in with the pushbutton depressed until its other end clearly protrudes. Release the pushbutton on the safety spindle and check that it cannot be pulled out again.

### 4.3 Swapping the battery

- We shall decline all liability for damage caused by the use of improper battery.
- Do not use the battery at temperatures below +5°C or above +50°C (the ideal is +20°C).
- If the battery is opened, all liability of the manufacturer shall be voided as well as any claim.



The battery of the patient hoist can be swapped by an integrated clip system.

To swap the battery pull on the integrated clip system. The plate will be lifted and the battery can be taken off the holder (control box).

## 5 Maintenance

### 5.1 Time of maintenance

 CAUTION Risk of injuries and damage

Repairs and replacements may only be undertaken by trained persons and only genuine replacement parts of Vermeiren should be used (see the maintenance manual).

**i** The last page of this manual contains a registration form for the specialist dealer to record each service.

The service frequency depends on the frequency and intensity of use. Contact your dealer to agree to a common timetable for inspection/maintenance/repair.

For the maintenance manual, refer to the Vermeiren website: [www.vermeiren.com](http://www.vermeiren.com).

#### *Before each use*

Inspect the following points:

- All parts: present and undamaged or unworn.
- All parts: clean, see §5.3.
- Condition of frame parts: no deformation, instability, weakness or loose connections.
- Brakes: no visible damage and/or dirt.
- Control box, manual control, battery charger, relevant cables: no damage such as wires that have become frayed, broken or exposed. Check that the electrical adjustment of the cantilever arm is working properly, using the manual control.
- Battery status: charge the battery when necessary, see §3.3.

#### *Approx. every 8 weeks*

Depending on the frequency of use, check the following:

- Lubrication of the joints of the cantilever arm
- Condition of the casters
- Whether there is any visible damage to the casing of the control box, battery, battery charger and the manual controls
- Whether the cables are fit for use
- Recharge the battery

#### *Approx. every 6 months or for every new user*

Depending on the frequency of use check the following:

- Cleanliness
- General condition
- Casters are working

If the resistance to rotation is too great, clean the casters. If this is insufficient, please consult your dealer.

#### *Yearly or more often*

Have the patient hoist inspected and serviced by your specialist dealer, at least once a year, or more often. The minimum maintenance frequency depends on use and should therefore be commonly agreed upon with your specialist dealer.

## 5.2 Shipping and storage

- Shipping and storage should happen according to the technical specifications in §7. Make sure that the patient hoist is stored dry.
- Prevent cables from being crushed or bent with kinks.
- Disconnect the patient hoist from the socket.
- Provide sufficient covering or packaging to protect the patient hoist against rust and foreign bodies. (e.g. salt water, sea air, sand, dust).
- Store all removed parts together in one place (or mark them if necessary) to avoid mixing up with other products when re-assembling (e.g. the charger).
- Make sure no objects are stored on or against the patient hoist and its components to prevent damage.

## 5.3 Cleaning

CAUTION
---------

Risk of damage by moisture

- Never use a hose or high-pressure cleaner.
- Use a mild commercial detergent to remove stubborn dirt.
- Stains can be removed by using a sponge or a soft brush.
- Do not use strong cleaning liquids like solvents, nor use hard brushes.

### 5.3.1 Plastic parts

Clean plastic parts of your patient hoist with commercial plastic cleaners. Read the specific product information and only use a soft brush or soft sponge.

### 5.3.2 Coating

The patient hoist consists of steel components. The high quality of the surface layer guarantees optimal protection against corrosion. If the outer coat is damaged by scratching or in some other way, get your specialist dealer to repair the affected surface.

When cleaning, only use warm water and normal household detergents and soft brushes and cloths. Ensure that no wetness gets into the tubes.

### 5.3.3 Electronics casing

**⚠ WARNING: Risk of injury - The emergency stop must be activated before maintenance work, so that no unintentional adjustment movements can be made.**

Wipe the control box, motor casing and manual controls down with a cloth moistened by a few drops of a commercial domestic cleaner. Do not use abrasives or sharp-edged polishing equipment like a metal scrubber or brush, as these can scratch the surface of the manual control and destroy its water repelling property.

Regularly check the plug connectors for corrosion or damage, as these could affect the functional integrity of the electronics.

The manufacturer will not accept liability for damages caused by insufficient maintenance.

## 5.4 Disinfection

All parts of the patient hoist can be treated by scrubbing with a commercial disinfectant. Follow the instructions on the disinfectant.

Washing instructions for slings can be found in the slings manual and on the label of each sling.

## 5.5 Inspection

In principle we recommend one inspection every year, and a minimum of one before usage is resumed. All of the following checks must be performed and documented by authorized persons:

- Check the cabling (in particular for crushing, wear, cuts, visible parts of the insulation of the inner wires, visible metal wire cores, kinks, bulges, colour changes of the outer sleeve, brittle spots, and safe positioning so that mechanical effects such as being cut or crushed are not probable).
- Visual inspection of the frame parts to check for plastic deformation and/or wear and tear (frame, motor suspension, cantilever arm, spreader bar).
- Visually check for damage to the paintwork (danger of corrosion).
- Visual inspection of all casings for damage; screws must be tight.
- Verify the amount of grease on the metal joints of movable parts
- Visually check all plastic parts for cracks and brittle spots
- Review the charger, control box + included charger residual discharge current ( $A$ ) based on VDE 0702
- Review the charger, control box + included charger insulation resistance ( $MO$ ) based on VDE 0702
- Functional test of the cantilever arm (lubrication of the joint parts, range of adjustability, deformation, wear and tear)
- Check the functioning of the hoist drives (during a test drive → noises, speed, free running, etc.), if necessary: Measure the performance, first with no load and then with the nominal load ("SWL"), to investigate the wear and tear of the motors by comparing the values for the electric current against the values when it was delivered.
- Functional test of the emergency stop
- Functional test of the emergency lowering
- Completeness of the delivery condition, instruction manual available?

Checking measurements may only be carried out by skilled persons trained on the patient hoist at least and at least under the supervision of an electrician who knows the checking instruments and processes. Only an electrician can release the patient hoist for use after making the measurements and carrying out the servicing.

The service must only be signed off in the maintenance plan if a minimum of all the above-mentioned aspects have been checked.

## 5.6 Expected lifespan

The average lifespan of the patient hoist is 8 years. Depending on the frequency of use, storage, maintenance, servicing and cleaning, the lifespan of the patient hoist will increase or decrease.

## 5.7 Reuse

Before each reuse, have the patient hoist disinfected, inspected and serviced according to the instructions in this chapter.

## 5.8 End of use

At end of life, you need to dispose of the patient hoist according to the local environmental legislation. The best way to do so, is to disassemble the patient hoist to facilitate the transport of recyclable parts.

## 6 Troubleshooting

Table 1: Troubleshooting

Problem	Cause of problem	Problem solving
Noisy sound of the moving parts (example: cantilever arm).	Lubrication is necessary.	Lubricate the moving parts. <b>(Do not lubricate the actuator!)</b>
Actuator makes an unusual sound.	The actuator is damaged.	Replace the actuator or contact your specialist dealer.
Patient hoist does not lift anymore.	<ol style="list-style-type: none"> <li>1. Electric actuator is damaged.</li> <li>2. The user weight is too high (system status LED blinks, two beeps can be heard).</li> <li>3. Manual control or actuator are not connected.</li> <li>4. Battery not connected or not connected properly to control box.</li> <li>5. Battery too low.</li> <li>6. Emergency stop is activated (system status LED is on).</li> </ol>	<ol style="list-style-type: none"> <li>1. Replace the actuator.</li> <li>2. Use a patient hoist with higher maximum user weight.</li> <li>3. Check connections. If necessary connect manual control or actuator.</li> <li>4. Check battery is installed or the connection of the battery.</li> <li>5. Charge the batteries or replace.</li> <li>6. Deactivate the emergency stop.</li> </ol>
Lowering the patient in case of emergency does not work.	There is required a minimum weight load to lower the patient.	If the patient weight is too low pull down slightly on the cantilever arms or adjust the lowering speed.
Battery cannot be charged	<ol style="list-style-type: none"> <li>1. Batteries not fitted correctly to control box.</li> <li>2. Mains cable defect.</li> <li>3. Batteries are defected.</li> <li>4. Control box with included charger is defected</li> <li>5. Battery charger is defected</li> </ol>	<ol style="list-style-type: none"> <li>1. Check batteries are connected to the control box.</li> <li>2. Change mains cable.</li> <li>3. Replace battery.</li> <li>4. Replace control box with included charger.</li> <li>5. Replace new battery charger.</li> </ol>



## 7 Technical specifications

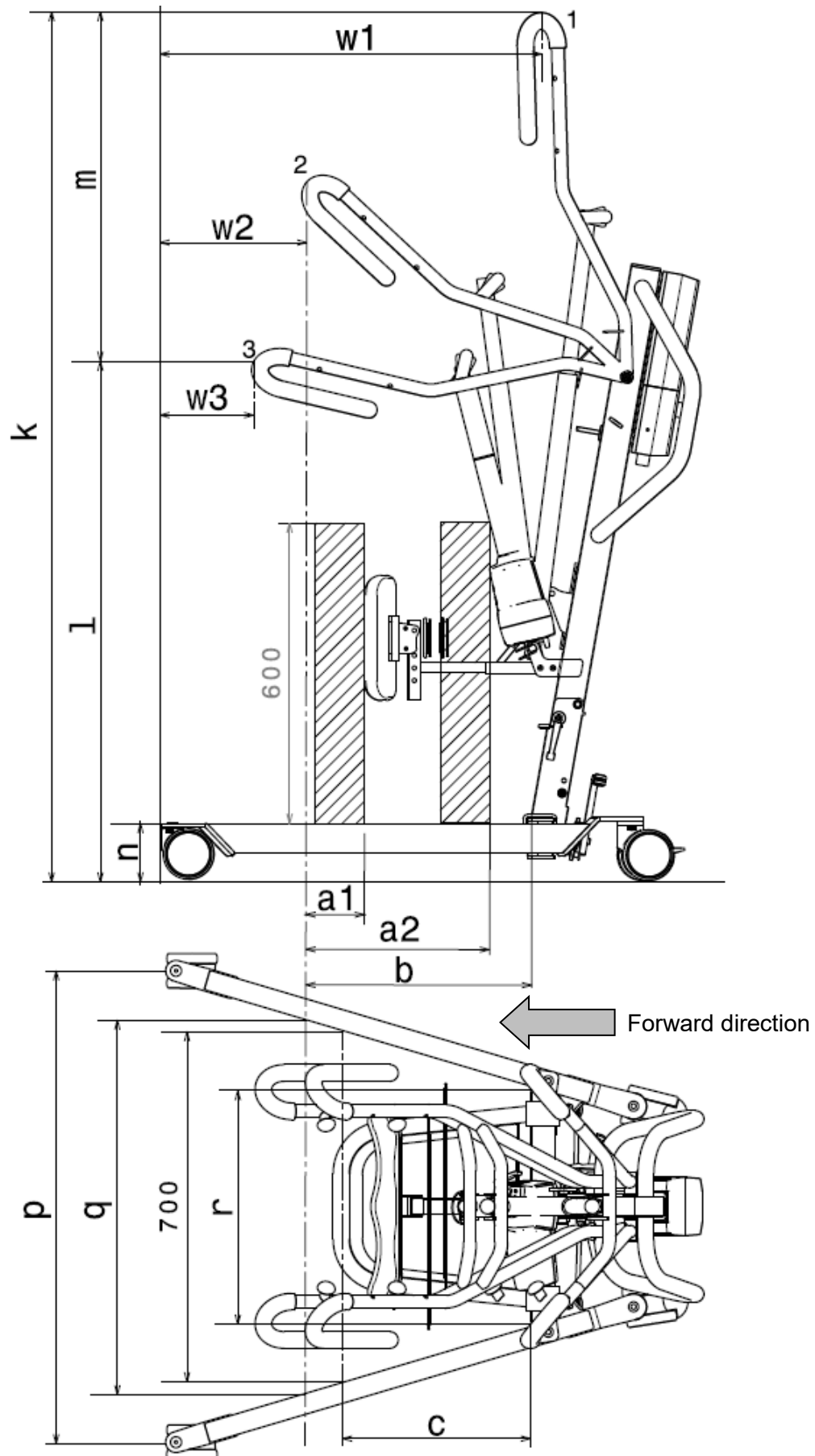




Table 2: Technical specifications

<b>Brand</b>	<b>Vermeiren</b>
<b>Type</b>	<b>Patient hoist</b>
<b>Model</b>	<b>Albatros</b>

<b>Description</b>	<b>Measurement in drawing</b>	<b>Dimensions</b>
Lowest CAP position*	l	1040 mm
Highest CAP position*	k	1739 mm
Lifting range (range of heights)	m	699 mm
Leg length		965 mm
Total length		1046 mm
Minimum leg separation	r	467 mm
Maximum leg separation	q	749 mm
Leg height / Frame height	n	117 mm
Overall width (closed), external dimension		584 mm
Overall width (opened), castors forwards	p	945 mm
Folded length		1030 mm
Folded height		500 mm
Folded width		584 mm
Min. distance between wall / CSP* (minimum height)	w3	188 mm
Min. distance between wall / CSP* (maximum reach)	w2	293 mm
Min. distance between wall / CSP* (maximum height)	w1	762 mm
Turning circle		1133 mm
Total weight		44,85 kg
Weight of chassis + motor		34,15 kg
Weight of battery		2,90 kg
Weight of footplate		4,55 kg
Weight of leg support		2,80 kg
Weight attachment of leg support		0,40 kg
<b>Maximum load</b>		<b>150 kg</b>
Free height, minimum		57 mm
Maximum reach at 600 mm with leg support	a1	100 mm
Maximum reach at 600 mm without leg support	a2	368 mm
Maximum reach from support	b	450 mm
Reach from support at separation 700 mm	c	375 mm
Power outlet		24V --- max. 250 VA
Supply voltage		120-240V ~ max. 37-53 VA
Maximum current drawn		max. 350 mA
Operating temperature		+5 to +40°C (+41 °F to 104°F)



<b>Brand</b>	<b>Vermeiren</b>
<b>Type</b>	<b>Patient hoist</b>
<b>Model</b>	<b>Albatros</b>

<b>Description</b>	<b>Measurement in drawing</b>	<b>Dimensions</b>
Relative humidity		20% to 80% at 30°C, non-condensing
Noise level		< 50 dB(A)
Air pressure		700 to 1060 hPa
Control box		Linak CAL40
Battery		Linak BAL40
Manual control		Linak HB3X0L0
Motor		Linak LA34 (7500N)
Control box protection class		IPX4
Battery protection class		IPX5
Manual control protection class		IPX5
Motor protection class		IP54
Insulation class		II - Type B
Operational performance		approx. 40 lifts per charge
Lifting/Lowering speed		28 sec.
Periodic operation		max. 10%, or 2 min. continuous operation/18 min. pauses
Battery capacity		2.9 Ah
Emergency stop		Yes
Manual lowering in emergency		Yes
Electrical lowering in emergency		No
<b>We reserve the right to introduce technical changes. Measurement tolerance <math>\pm 15</math> mm / 1,5 kg / 1,5°</b>		

1 = Highest position, 2 = Maximum reach, 3 = Lowest position

\* CSP = Central suspension point

## Table des matières

<b>Table des matières</b> .....	<b>1</b>
<b>Avant-propos</b> .....	<b>2</b>
<b>1 Votre produit</b> .....	<b>3</b>
<b>2 Avant l'utilisation</b> .....	<b>4</b>
2.1 Usage prévu.....	4
2.2 Instructions générales de sécurité.....	4
<b>3 Utilisation du lève-personne</b> .....	<b>6</b>
3.1 Utilisation du lève-personne.....	6
3.2 Sangles .....	8
3.3 Batterie et charge.....	9
3.4 Urgence .....	11
<b>4 Montage et réglage</b> .....	<b>12</b>
4.1 Livraison.....	12
4.2 Montage ou démontage .....	12
4.3 Remplacement de la batterie .....	16
<b>5 Maintenance</b> .....	<b>17</b>
5.1 L'entretien .....	17
5.2 Expédition et stockage .....	17
5.3 Nettoyage.....	18
5.4 Désinfection .....	18
5.5 Inspection.....	19
5.6 Durée de vie attendue.....	19
5.7 Réutilisation .....	19
5.8 Mise au rebut .....	19
<b>6 Résolution des problèmes</b> .....	<b>20</b>
<b>7 Spécifications techniques</b> .....	<b>21</b>

## Avant-propos

Félicitations ! Vous êtes à présent propriétaire d'un lève-personne Vermeiren !

Ce produit a été fabriqué par un personnel qualifié et responsable. Il est conçu et produit conformément aux normes de qualité élevées appliquées par Vermeiren.

Merci de la confiance que vous accordez aux produits de Vermeiren. Ce manuel est destiné à vous aider dans l'utilisation de ce lève-personne et de ses options de fonctionnement. Veuillez le lire attentivement. Vous pourrez ainsi vous familiariser avec le fonctionnement, les capacités et les limites de votre produit.

Si vous avez encore des questions après la lecture de ce manuel, n'hésitez pas à prendre contact avec votre revendeur spécialisé. Il vous aidera volontiers.

### **Remarque importante**

Pour assurer votre sécurité et prolonger la durée de vie de votre produit, prenez-en grand soin, et faites-le contrôler et entretenir régulièrement.

Ce manuel est le reflet des derniers développements du produit. Vermeiren a le droit d'apporter des modifications à ce type de produit sans être tenu d'adapter ou de remplacer des produits similaires fournis précédemment.

Les images sont fournies afin de clarifier les instructions de ce manuel. Les détails du produit illustré peuvent diverger de votre produit.

### **Informations disponibles**

Sur notre site <http://www.vermeiren.com/>, vous trouverez toujours la version la plus récente des informations suivantes. Veuillez consulter régulièrement ce site Internet pour connaître les éventuelles mises à jour.

Les personnes malvoyantes peuvent télécharger la version électronique de ce manuel et la lire au moyen d'une application de texte-parole.



Ce manuel d'utilisation  
Pour l'utilisateur et le revendeur spécialisé



Manuel d'entretien  
Pour le revendeur spécialisé



Déclaration de conformité CE

## 1 Votre produit



1. Boutons des attaches
2. Bras de levage
3. Transport du moteur
4. Moteur
5. Repose-jambes
6. Châssis
7. Plaque repose-pieds
8. Roulette
9. Transport du bras de levage
10. Batterie
11. Arrêt d'urgence
12. Boîtier de commande
13. Tringle
14. Poignée de poussée
15. Fonctionnement manuel
16. Verrouillage de pliage
17. Broche de sécurité
18. Pédale d'extension du châssis
19. Roulette avec frein


## 2 Avant l'utilisation

### 2.1 Usage prévu

Ce paragraphe vous donne une brève description de l'usage prévu de votre lève-personne. Des avertissements pertinents ont également été ajoutés aux instructions dans les autres paragraphes. Nous aimerions ainsi attirer votre attention sur un usage inapproprié éventuel qui pourrait survenir.

- Ce lève-personne est destiné à être utilisé par un assistant pour transférer des patients assis entre, par exemple, des fauteuils roulants, des lits de soins et des salles de bains. Le lève-personne est conçu et fabriqué pour être une aide au transport/transfert pour les personnes âgées ou les personnes souffrant de paralysie, de perte ou de déficience d'un membre, d'articulations raides ou endommagées, de problèmes cardiovasculaires, de cachexie, ... . Lorsqu'il est utilisé en conséquence, aucune contre-indication n'est connue.
- Ce lève-personne convient à un usage à l'intérieur.
- Ce lève-personne est conçu et fabriqué uniquement pour le transport d'une (1) personne d'un poids maximum de 150 kg. Il n'est pas destiné au transport de marchandises ou d'objets, ni à tout autre usage que celui décrit précédemment.
- Utilisez uniquement des accessoires et des pièces de rechange approuvés par Vermeiren.
- Consultez également les détails techniques et les limites de votre lève-personne au §7.
- La garantie sur ce produit est basée sur une utilisation et un entretien normaux, tels que décrits dans le présent manuel. Les dommages à votre produit dus à un usage inapproprié ou à un manque d'entretien auront pour effet d'annuler la garantie.

### 2.2 Instructions générales de sécurité

 ATTENTION Risque de blessures ou de dommages

Veuillez lire et suivre les instructions stipulées dans le présent manuel d'utilisation. Autrement, vous pourriez vous blesser ou votre lève-personne pourrait être endommagé.

Tenez compte des avertissements généraux suivants pendant l'emploi :

- Seules des personnes autorisées, formées à l'utilisation et au fonctionnement du lève-personne, peuvent le manipuler.
- Ne dépassez pas la charge maximale du lève-personne. Le boîtier de commande s'arrêtera alors.
- En cas de poids d'utilisateur différents pour le lève-personne et les harnais, toujours respecter le poids d'utilisateur le plus faible.
- La présence d'un accompagnateur est nécessaire pendant l'opération de levage.
- N'oubliez pas que certaines parties de votre lève-personne peuvent devenir très chaudes ou très froides en fonction de la température ambiante, des rayons du soleil ou de dispositifs de chauffage. Faites donc attention lorsque vous les touchez.
- Votre lève-personne a subi un test de conformité électromagnétique et est conforme à cette norme. Les sources de champ magnétique, comme les téléphones mobiles, les générateurs électriques ou de sources d'énergie à haute puissance, peuvent cependant influencer la performance de votre lève-personne. L'électronique de votre lève-personne peut à son tour également affecter d'autres appareils électroniques
- N'utilisez le lève-personne que sur des surfaces planes où toutes les roulettes touchent le sol et où le contact est suffisant pour faire fonctionner le lève-personne en toute sécurité. Ne prenez pas d'obstacles avec le lève-personne pendant le transfert d'un patient.
- N'utilisez pas le lève-personne dans un environnement humide ou mouillé.
- Ne réalisez pas de modifications ou de remplacements aux points d'attache du lève-personne ou aux composants ou éléments du châssis et structurels sans consulter le fabricant.
- Assurez-vous que vos mains, vêtements, ceintures, boucles ou bijoux ne puissent pas se coincer dans les roues ou dans d'autres parties mobiles pendant l'utilisation.

- Soyez prudent avec le feu, en particulier avec les cigarettes incandescentes ; en effet, les sangles risquent de s'enflammer.

En cas d'incident grave impliquant votre produit, informez Vermeiren ou votre revendeur spécialisé ainsi que l'autorité compétente de votre pays.

## 3 Utilisation du lève-personne

### 3.1 Utilisation du lève-personne

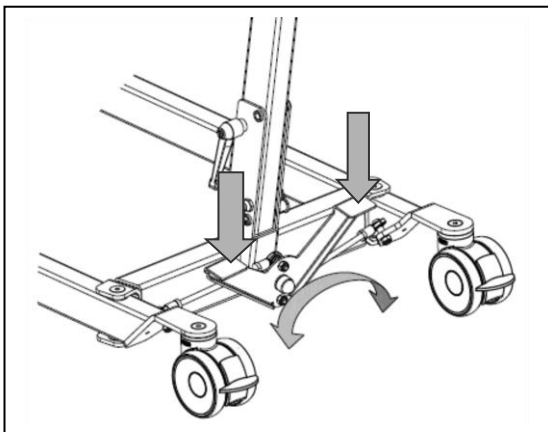
**AVERTISSEMENT**

Risques de blessures ou de dommages

- Veillez lors de l'utilisation du lève-personne à disposer d'un espace suffisant à côté et au-dessus du lève-personne pour éviter tout dommage ou blessure lors de l'utilisation des fonctions de réglage.
- Faites toujours attention à la position du bras de levage afin de ne pas blesser le patient.
- N'utilisez que des sangles prévus et homologués pour le lève-personne (voir le mode d'emploi des différents sangles). L'utilisation d'autres sangles se fait à vos risques et périls.
- N'utilisez que les poignées pour pousser/tirer le lève-personne, aucun autre composant.

Respectez les caractéristiques techniques liées à l'utilisation du lève-personne. Seules des personnes autorisées, formées à l'utilisation et au fonctionnement du lève-personne, peuvent le manipuler.

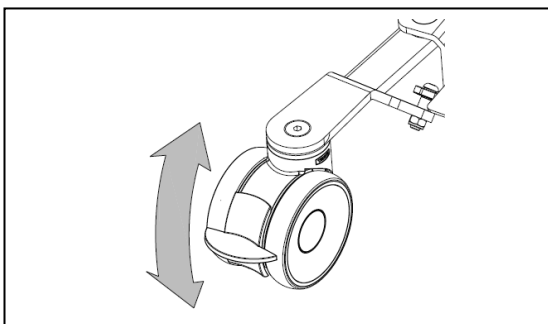
#### 3.1.1 Ecartement du châssis



Il est possible d'augmenter l'écartement du châssis pour entourer un fauteuil roulant ou un autre siège avec le lève-personne, mais aussi pour améliorer la stabilité du lève-personne.

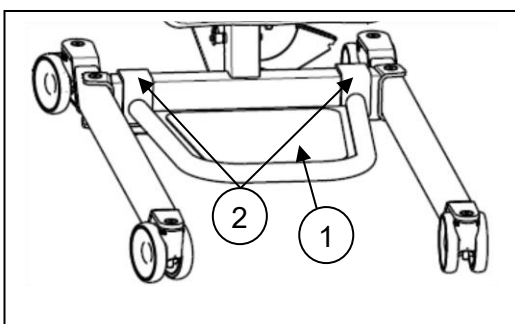
En vous tenant derrière le lève-personne une fois celui-ci monté et saisissez les poignées de poussée du lève-personne (à gauche et à droite à côté du boîtier de commande). Appuyez avec le pied légèrement vers le bas sur la bascule sur le châssis inférieur (droite ou gauche) pour pouvoir augmenter ou réduire l'écartement des bras du châssis.

#### 3.1.2 Freins de stationnement



Bloquez les deux roues à l'arrière du châssis en appuyant légèrement de la pointe du pied sur la patte du frein des roues en l'enfonçant vers le bas jusqu'à ce qu'elles soient bloquées. Pour desserrer les freins, appuyez de la pointe du pied sur la pédale de frein vers le haut jusqu'à ce que les roues soient libérées.

#### 3.1.3 Plaque repose-pieds



La plaque repose-pieds ① peut-être montée avec les crochets ② sur le châssis du lève-personne ou détachée de ce dernier.

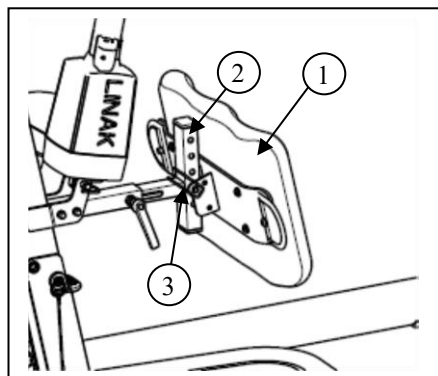


### 3.1.4 Repose-jambes


**AVERTISSEMENT**

Risques de blessures

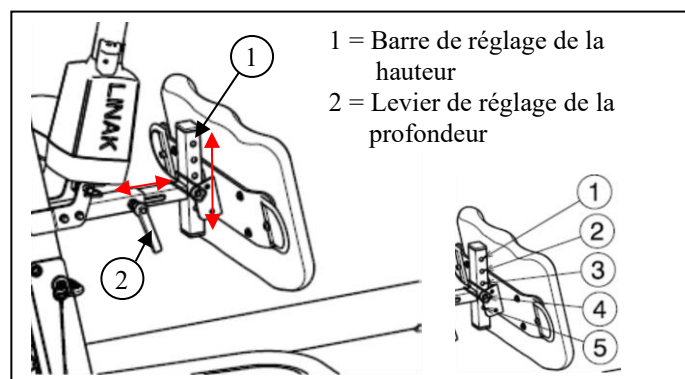
- Veillez à ne pas laisser retomber le repose-jambes sur le patient lors de son réglage.



Le repose-jambes ① peut être fixé à la barre du lève-personne ② avec la broche de sécurité ③.

Il permet de maintenir et de soutenir les jambes du patient lorsque celui-ci se trouve en position verticale.

Le repose-jambes peut être réglé en profondeur ainsi que selon cinq hauteurs différentes.



Distance entre la plaque repose-pieds et le sommet du repose-jambes	Position
520 mm	Orifice 1
495 mm	Orifice 2
470 mm	Orifice 3
445 mm	Orifice 4
420 mm	Orifice 5

### 3.1.5 Soulevement / abaissement de la potence

La commande manuelle permet de régler progressivement la potence.

- ① = Soulever la potence
- ② = Abaisser la potence

Lorsque la fonction de levage est utilisée jusqu'à l'extrémité du moteur du palan, l'interrupteur de fin de course est activé par le système électronique (fonction de sécurité). N'utilisez la fonction de levage qu'au centre de la plage de réglage.



### 3.1.6 Déplacement du lève-personne


**AVERTISSEMENT**

Risques de blessures

- Soyez prudent lorsque vous franchissez des passages étroits (portes, par exemple).
  1. Placez-vous derrière le lève-personne, en tenant à deux mains les poignées (gauche et droite, à côté du boîtier de commande).
  2. Vérifiez que les deux freins des roues arrière soient desserrés.
  3. Poussez lentement le lève-personne dans la position souhaitée.

Lorsque le lève-personne n'est pas chargé, nous recommandons de le tirer en marche arrière afin de pouvoir plus facilement éviter des obstacles (tels que des chambranles de portes, angles de pièces ou meubles).

### 3.1.7 Pivoter le lève-personne sur son axe



AVERTISSEMENT

Risques de blessures

- Veiller à ce qu'aucun personne ou objet ne se trouve dans la zone de basculement du lève-personne.
  - Pivotez le lève-personne prudemment et doucement sur son axe de façon à ce que le patient ne puisse pas basculer.
1. Ecartez les jambes du patient pour donner plus de stabilité.
  2. Actionnez les freins.
  3. Placez le patient dans la sangle appropriée (se référer au manuel des sangles pour les instructions sur comment placer le patient dans la sangle).
  4. Soulevez le patient du sol, de la chaise, du lit...
  5. Relevez les deux freins des roues arrière
  6. Placez-vous derrière le lève-personne, en tenant à deux mains les barres du poussoir (gauche et droite, à côté du boîtier de commande).
  7. Maintenant tournez le lève-personne prudemment, doucement sur son axe. Faites attention à ne toucher aucun objet avec les pieds du lève-personne.
  8. Quand vous êtes arrivés dans la bonne position, vous pouvez descendre le patient.

## 3.2 Sangles



AVERTISSEMENT

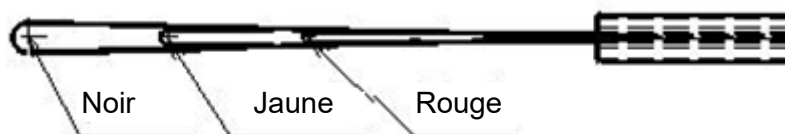
Risques de blessures

- Veillez à utiliser les sangles adaptées au patient.
- N'utilisez pas de sangles endommagées.
- Lisez d'abord le manuel complet des sangles.
- Utilisez uniquement des sangles compatibles approuvés par Vermeiren.

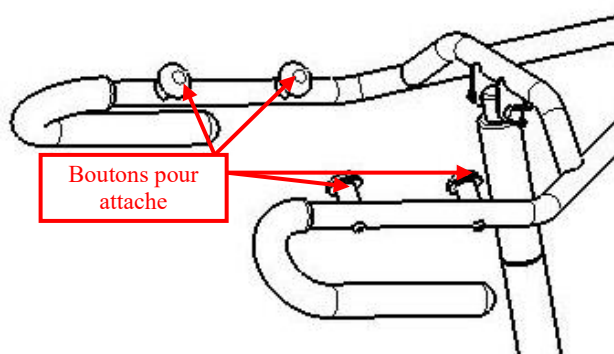
### 3.2.1 Fixation aux boutons du lève-personnes

Les systèmes d'assise sont fixés à boutons par des sangles d'attaches. Ces sangles d'attaches sont suspendues aux boutons du lève-personnes.

Les sangles d'attaches des systèmes d'assise sont munies de trois boucles de couleurs différentes.



*Sangle d'attache de système d'assise*



*Boutons du lève-personnes « Albatros »*

Ces trois boucles différentes permettent de lever des patients de tailles différentes.

Couleur	Description
Rouge	Grands patients, les mains du patient peuvent être proches des bras de saisie du lève-personnes, de sorte que le patient puisse aider activement lorsqu'il faut le lever.
Jaune	Combinaison
Noir	Petits patients: le patient est relativement petit par rapport à la hauteur des boutons.

### 3.3 Batterie et charge

#### 3.3.1 Batterie



La batterie est située au-dessus du boîtier de commande et son remplacement s'effectue au moyen d'un dispositif de clip intégré.

Tension primaire	24 V CC
Température ambiante	+5°C à +40°C
Température ambiante pour le stockage	-10° à +40°C
Humidité relative pour le stockage	Max. 90% (sans condensation)
Conformité	contrôlé d'après IEC 60601-1

#### 3.3.2 Boîtier de commande (+ chargeur de batterie incorporé)



Le boîtier de commande est équipé d'un arrêt d'urgence rouge et d'un chargeur de batterie intégré.

Tension primaire	100 - 240V CA / 50/60 Hz
Tension secondaire (tension de charge)	24 Vcc, max. 250 VA
Courant secondaire (courant de charge)	Max. 10 A
Systèmes de sécurité	protection contre les inversions de polarité, les surtensions et la température
Température ambiante	+5°C à +40°C
Température ambiante pour le stockage	-10° à +40°C
Humidité de l'air de stockage	Max. 90% (sans condensation)
Conformité	contrôlé d'après IEC 60601-1

Nous nous réservons le droit d'apporter des modifications.

### 3.3.3 Chargeur externe (EN OPTION)



Le chargeur externe est conçu pour un montage mural. Il vous permet de disposer à l'avance d'une batterie de recharge (en option) chargée et d'éviter ainsi des temps d'attente lorsque vous souhaitez utiliser le lève-personne.

Tension primaire	100 - 240V CA / 50/60 Hz
Courant de charge	Max. 650 mA
Température environnante	+5°C à +40°C
Température environnante pour le stockage	-10° à +40°C
Humidité de l'air de stockage	Max. 90% (sans condensation)

### 3.3.4 Chargement des batteries

N'utilisez que le boîtier de commande Albatros à chargeur de batterie intégré ou le chargeur externe mural.

Nous vous invitons à recharger régulièrement les batteries afin de maintenir le lève-personne en état de fonctionnement et de bénéficier de la durée de vie optimale des batteries. Le boîtier de commande émet un signal sonore dès que la charge de la batterie est faible.

#### **Mise en service**

Raccordez tout d'abord le connecteur du cordon d'alimentation au connecteur correspondant sur le boîtier de commande. Branchez ensuite la prise du cordon d'alimentation sur la prise de courant. La durée de chargement est d'environ 24 heures.

#### **Recharge**

**⚠ AVERTISSEMENT : Risque de blessures – N'utilisez pas le lève-personne lorsque le cordon d'alimentation est branché sur la prise de courant.**

Lorsque la batterie est faible, la moitié du voyant vert clignote et un seul bip est émis lorsque le palan est activé.

Si la DEL clignote et qu'un bip continu se fait entendre, cela signifie qu'il ne reste que deux cycles sur la batterie.



Lors de la charge des batteries, la moitié de la DEL s'allume en vert. La batterie est complètement chargée lorsque la DEL est entièrement verte.

Une fois la batterie rechargée, débranchez toujours le cordon de la prise de courant avant de le détacher du boîtier de commande.

Aucune utilisation du lève-personne pendant le chargement !

Toute batterie inutilisée pendant une période prolongée se décharge progressivement (décharge complète). Il devient alors impossible de la recharger avec le chargeur de batterie. Nous vous invitons donc à recharger les batteries au moins une fois par mois, même si vous ne devez pas vous en servir.

## 3.4 Urgence

En cas d'urgence, utilisez le bouton d'urgence ainsi que la fonction d'abaissement d'urgence.

### 3.4.1 Arrêt d'urgence



En cas d'urgence ainsi que lors du montage et du démontage, vous pouvez activer l'arrêt d'urgence en actionnant le bouton rouge du boîtier de commande.

Appuyez sur le bouton et tournez-le dans le sens des flèches. Si le bouton est complètement enfoncé vers l'arrière, tournez dans le sens inverse des flèches.

Pour désactiver l'arrêt d'urgence, faites tourner le bouton rouge dans la direction des flèches.

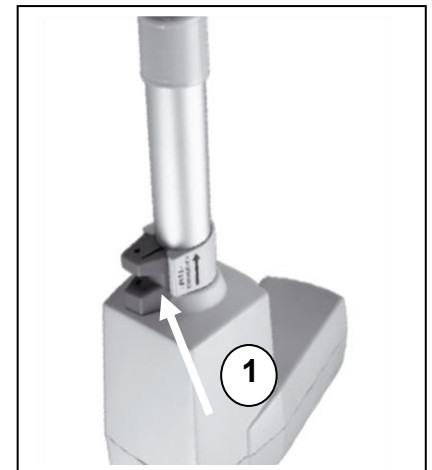
### 3.4.2 Abaissement manuel d'urgence

**⚠ AVERTISSEMENT : Risque de blessures – Le dispositif d'abaissement manuel d'urgence doit être réglé selon le poids du patient.**

L'abaissement d'urgence, par exemple en cas de coupure d'alimentation ou de batterie déchargée, s'effectue au moyen du bouton rouge ① en bas du moteur. Le dispositif d'abaissement d'urgence est réglé en usine pour un patient de 75 kg.

Calibrage type : 3000N, 16 mm/s pour faire descendre le patient.

Veillez noter que l'abaissement manuel d'urgence n'est possible que si le patient est assis dans le lève-personne.



## 4 Montage et réglage

Le lève-personne est livré entièrement monté par votre revendeur spécialisé.

**Les instructions décrites dans ce chapitre sont destinées aux revendeurs.**

Pour trouver un service d'entretien ou un revendeur spécialisé près de chez vous, contactez l'établissement Vermeiren le plus proche.

**⚠ AVERTISSEMENT : Risque de limitations dangereuses - N'utiliser que les limitations décrites dans ce manuel.**

### 4.1 Livraison

Le lève-personne Albatros de Vermeiren est livré avec :

- un châssis incluant 4 roulettes (dont 2 avec frein)
- une tringle équipée de poignées de poussée
- un bras de levage avec dispositif de fixation pour la sangle
- un boîtier de commande (+ chargeur de batterie incorporé)
- une batterie
- une commande manuelle
- un moteur
- un manuel d'utilisation
- une plaque repose-pieds
- un repose-jambes

Vérifiez que vous êtes en possession de tous ces éléments et qu'aucun n'a été endommagé (en particulier durant le transport).

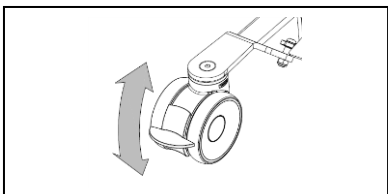
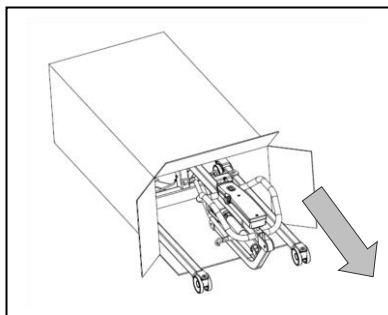
Veillez noter que la configuration de base pour l'Europe peut varier d'un pays à l'autre. Votre revendeur spécialisé local pourra vous fournir toutes précisions utiles.

### 4.2 Montage ou démontage

#### 4.2.1 Déballage

**⚠ AVERTISSEMENT : Risque de blessures - Une fois l'équipement déballé et avant de procéder à son assemblage, vérifiez que le bouton d'arrêt d'urgence (bouton rouge du boîtier de commande) est enfoncé.**

L'emballage du lève-personne a été choisi pour garantir une protection optimale pendant le transport.

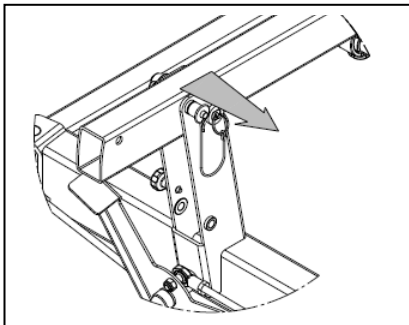


1. Retirez le lève-personne du carton et contrôlez que tous les éléments soient présents et si des pièces présentent un défaut visible. En cas de dommage, veuillez vous adresser à votre revendeur.
2. Avant l'installation, empêchez tout déplacement involontaire du lève-personne en actionnant les roues avec freins. Appuyez légèrement de la pointe du pied sur la patte du frein des roues en l'abaissant jusqu'à ce qu'elles soient bloquées. Pour desserrer les freins, soulevez de la pointe du pied la patte du frein vers le haut jusqu'à ce que les roues soient libérées.

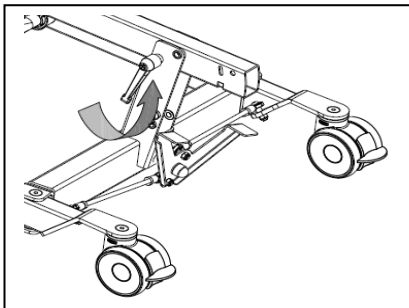


## 4.2.2 Assemblage

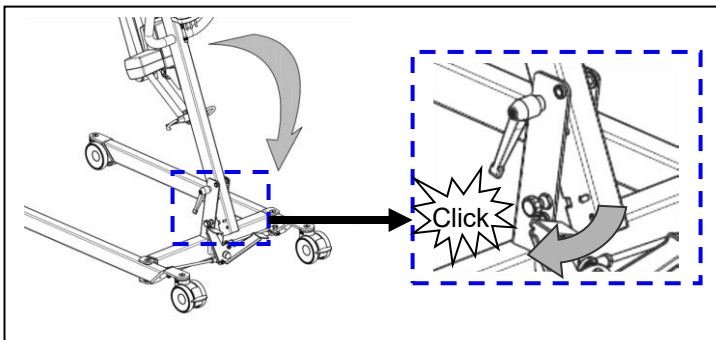
**⚠ AVERTISSEMENT : Risque de pincement - Veillez à ne pas vous pincer ou couper, ni pincer, écraser ou couper des fils lors du montage.**



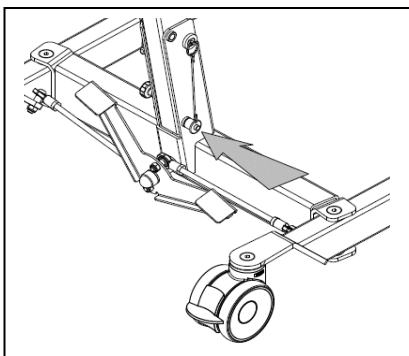
1. Retirez l'axe de fixation (arbre de transmission) en bas du mât en appuyant légèrement sur le bouton sur la tête de l'axe. Vous pouvez alors retirer facilement l'axe de fixation.



2. Libérez délicatement la sécurité de transport (vis à croisillon) pour pouvoir orienter le mât.

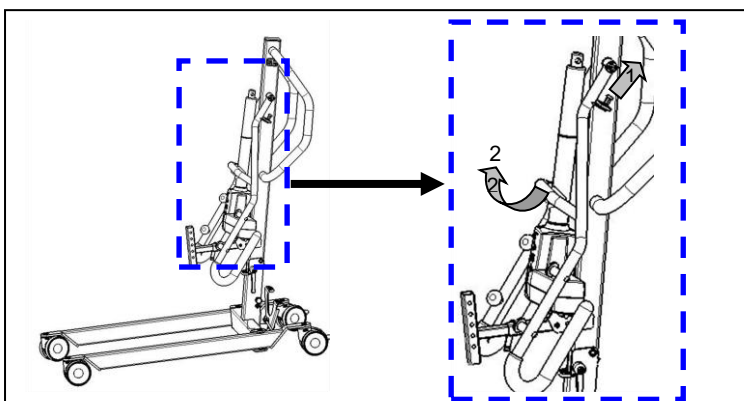


- 2.a La sécurité (vis de traction) s'enclenche de manière audible lorsque le mât est placé dans sa position finale.

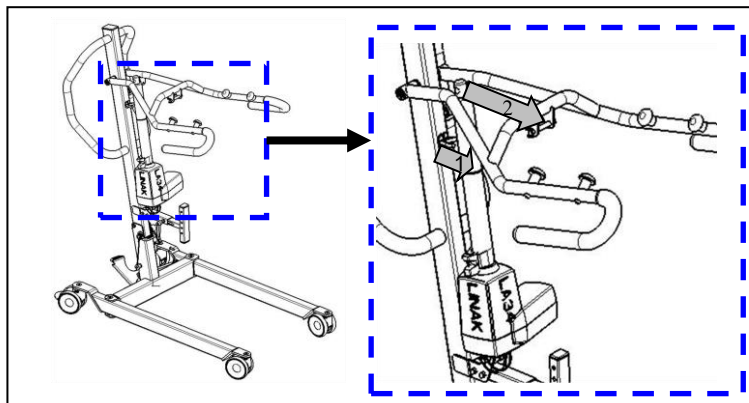


3. **⚠ AVERTISSEMENT : Risque de blessure - Veillez à ce que l'axe de fixation soit bien en place.**

Fixez le mât en insérant l'axe de fixation en bas du mât (en appuyant sur le bouton) suffisamment loin pour qu'il dépasse visiblement de l'autre côté. Relâchez le bouton de l'axe de fixation et vérifiez que l'axe ne puisse pas être retiré.

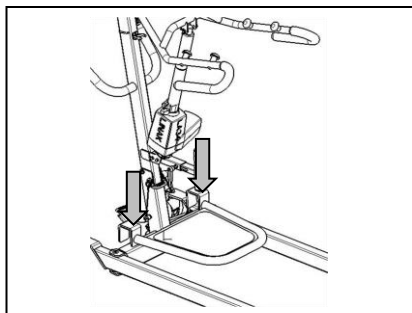


4. Retirez le bras de levage de la partie supérieure de la tringle (2). Tirez pour cela sur le dispositif de fixation (1).

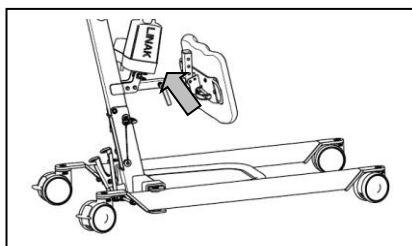


5. Tirez délicatement l'actionneur afin de l'extraire du clip noir (1).

6. Fixez l'actionneur sur le bras de levage au moyen de la broche de verrouillage (2). Veillez à ce que l'actionneur soit parfaitement positionné au milieu du bras de levage.



7. Fixez la plaque repose-pieds avec les crochets sur le châssis du lève-personne.

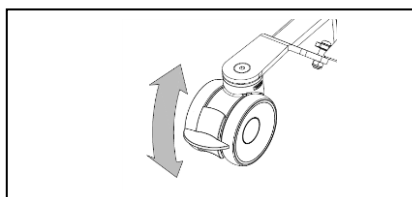


8. Fixez le repose-jambes au moyen de la broche de verrouillage. Réglez le repose-jambes sur la hauteur et la profondeur désirées.

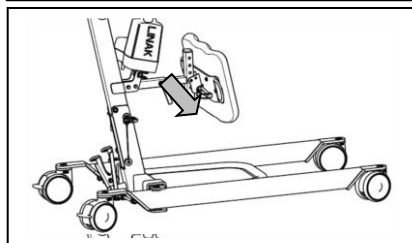
#### 4.2.3 Démontage

**⚠ AVERTISSEMENT : Risque de pincement - Veillez à ne pas vous pincer ou couper, ni pincer, écraser ou couper des fils lors du démontage.**

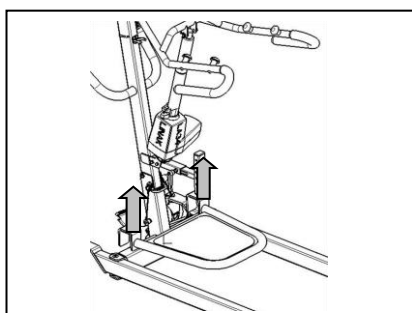
**⚠ AVERTISSEMENT : Risque de blessures - Vérifiez que l'arrêt d'urgence (bouton rouge du boîtier de commande) est activé afin d'éviter tout réglage intempestif.**



1. Bloquez les deux roues à l'arrière du châssis en appuyant légèrement de la pointe du pied sur la patte du frein des roues en l'abaissement jusqu'à ce qu'elles soient bloquées. Pour desserrer les freins, soulever de la pointe du pied sur la pédale de frein vers le haut jusqu'à ce que les roues soient libérées.

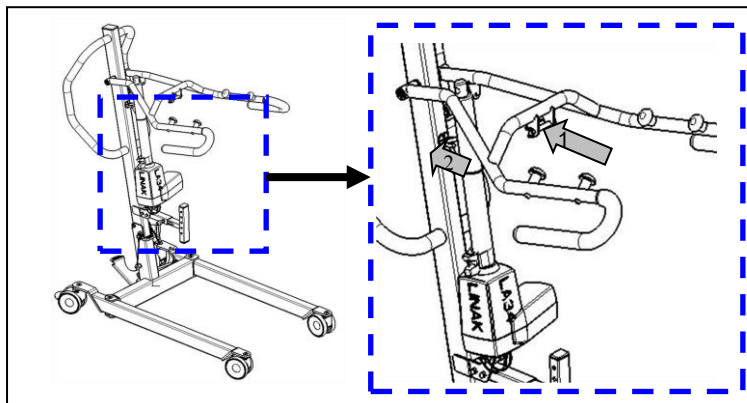


2. Retirez le repose-jambes en détachant la broche de verrouillage.



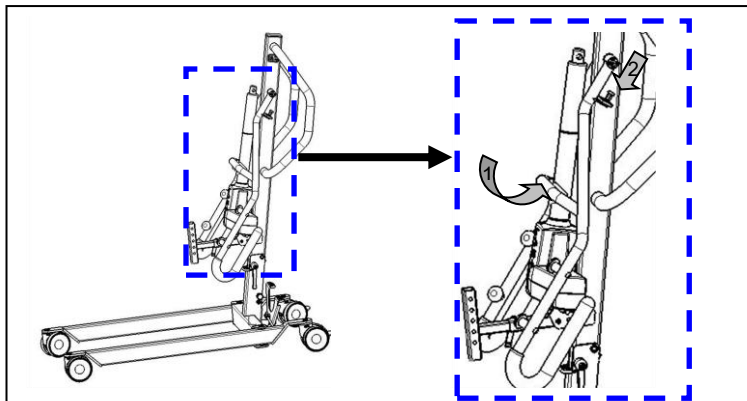
3. Retirez la plaque repose-pieds du châssis du lève-personne.



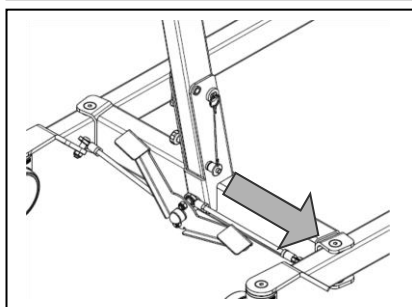


4. Détachez l'actionneur (moteur) du bras de levage en retirant la broche de verrouillage (1).

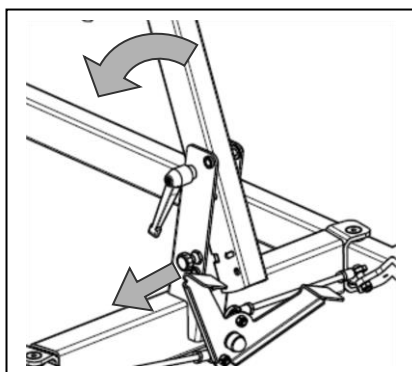
5. Placez l'actionneur en position inférieure et mettez-le dans le clip noir (2).



6. Réglez le bras de levage en position inférieure (1). Introduisez le dispositif de fixation en haut de la tringle dans l'orifice du bras de levage (2).



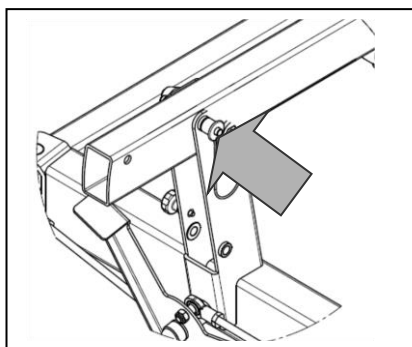
7. Retirez l'axe de fixation (arbre de transmission) en bas du mât en appuyant légèrement sur le bouton sur la tête de l'axe. Vous pouvez alors retirer facilement l'axe de fixation.



8. **⚠ AVERTISSEMENT: Risque de blessure – Lorsque le mât est déverrouillé, d'importantes forces de pesanteur peuvent s'exercer du fait du poids du mât.**

Tirez la sécurité (vis de traction) jusqu'à ce que le mât puisse être incliné. Vous pouvez alors incliner le mât vers l'avant.

Inclinez au maximum la tringle vers l'avant.



9. **⚠ AVERTISSEMENT: Risque de blessure – Veillez à ce que l'axe de fixation soit bien en place.**

Fixez le mât en insérant l'axe de fixation en bas du mât (en appuyant sur le bouton) suffisamment loin pour qu'il dépasse visiblement de l'autre côté. Relâchez le bouton de l'axe de fixation et vérifiez que l'axe ne peut pas être retiré.

### 4.3 Remplacement de la batterie

- Nous déclinons toute responsabilité en cas de dommage résultant d'une mauvaise utilisation de la batterie.
- N'utilisez pas la batterie à des températures inférieures à +5 °C ou supérieures à +50°C (la température idéale étant de +20°C).
- Le constructeur décline toute responsabilité et réclamation en cas d'ouverture de la batterie.



Le remplacement de batterie du lève-personne s'effectue au moyen d'un dispositif de clip intégré.

Pour remplacer la batterie, tirez sur ce dispositif afin de soulever la plaque et de retirer la batterie de son logement (boîtier de commande).

## 5 Maintenance

### 5.1 L'entretien



ATTENTION

Risque de dommages corporels et matériels

Les réparations et les remplacements ne peuvent être réalisés que par des personnes formées, et seules des pièces de remplacement d'origine de Vermeiren peuvent être utilisées.

- i** La dernière page de ce manuel contient un formulaire d'enregistrement pour permettre au revendeur spécialisé de consigner chaque service.

La fréquence d'entretien dépend de la fréquence et de l'intensité de l'utilisation. Prenez contact avec votre commerçant pour convenir d'un rendez-vous pour une inspection/un entretien/une réparation.

Pour le manuel d'entretien, consultez le site web de Vermeiren : [www.vermeiren.com](http://www.vermeiren.com).

#### *Avant chaque utilisation*

Inspectez les points suivants :

- Toutes les pièces : présentes, non endommagées et non usées.
- Toutes les pièces : propres, cf. §5.3.
- État des éléments du châssis : pas de déformation, d'instabilité, de faiblesse ou de raccords lâches.
- Freins : aucun dommage visible et/ou saleté.
- Boîtier de commande, commande manuelle, chargeur de batterie, câbles correspondants : aucun dommage tel que des fils effilochés, cassés ou exposés. Vérifiez que le réglage électrique du bras en porte-à-faux fonctionne correctement à l'aide de la commande manuelle.
- État de la batterie : chargez la batterie si nécessaire, cf. §3.3 .

#### *Environ toutes les 8 semaines*

En fonction de la fréquence d'utilisation, contrôlez les éléments suivants :

- Lubrification des articulations de la potence
- État des roues
- Des dommages sont-ils visibles sur le boîtier de commande, batterie, chargeur de la batterie (si disponible) ou sur la commande manuelle ?
- État des câbles pose-t-il problème pour le transport ?
- Rechargez la batterie;

#### *Environ tous les 6 mois ou pour chaque nouvel utilisateur*

En fonction de la fréquence d'utilisation, contrôlez les éléments suivants :

- Propreté
- État général
- Fonctionnement des roues

En cas de résistance trop importante au roulement, les roues seront nettoyées ; si cela s'avère insuffisant, nous vous prions de vous adresser à votre revendeur.

#### *Chaque année ou plus souvent*

Faites inspecter et entretenir votre lève-personne par votre revendeur spécialisé au moins une fois par an, ou plus. La fréquence d'entretien minimale dépend de l'usage et doit être déterminée de commun accord avec votre revendeur spécialisé.

### 5.2 Expédition et stockage

- L'expédition et le stockage du lève-personne doivent être réalisés conformément aux caractéristiques techniques §7. Assurez-vous que le lève-personne est entreposé correctement.

- Vérifiez que les câblages ne soient pas écrasés ou pliés.
- Débranchez le câble secteur du lève-personne de la prise courant.
- Utilisez suffisamment de protections ou emballages pour mettre le fauteuil roulant à l'abri de la rouille et des corps étrangers (Par exemple eau salée, air salin, sable, poussière).
- Stockez toutes les pièces retirées ensemble, au même endroit (ou repérez-les si nécessaire) pour éviter de les mélanger avec d'autres produits lors du remontage (par exemple le chargeur).
- Tous les composants doivent être stockés sans la moindre charge (ne pas déposer d'objets trop lourds sur les éléments du lève-personne, ne rien coincer...).

## 5.3 Nettoyage

ATTENTION

Risque de dommages dus à l'humidité

- N'utilisez jamais un tuyau ou un nettoyeur à haute pression pour nettoyer le fauteuil roulant.
- Utilisez un détergent doux vendu dans le commerce pour enlever les taches rebelles.
- Vous pouvez utiliser une éponge ou une brosse douce pour éliminer les taches.
- N'utilisez pas de produits de nettoyage agressifs tels que des solvants ni de brosses à poils durs.

### 5.3.1 Pièces en plastique

Nettoyez les parties en plastique de votre lève-personne à l'aide d'un produit nettoyant ordinaire pour le plastique. Lisez les informations produit et n'utilisez qu'une brosse souple ou une éponge non abrasive.

### 5.3.2 Enduit

Le lève-personne est composé d'éléments en acier. La grande qualité de la couche de surface garantit une protection optimale contre la corrosion. Si la couche externe est endommagée par une rayure ou autre, faites réparer la surface concernée par votre distributeur.

Pour le nettoyage, utilisez exclusivement de l'eau chaude et des détergents domestiques normaux avec des brosses ou tissus doux. Veillez à ne pas faire entrer d'humidité dans les tubes.

### 5.3.3 Boîtier électronique

**⚠ AVERTISSEMENT : Risque de blessure – Actionnez l'arrêt d'urgence avant les travaux d'entretien pour éviter des déplacements involontaires.**

Vous devez nettoyer le boîtier de commande, le boîtier du moteur et la commande manuelle uniquement avec un chiffon humide imprégné d'un peu de produit de nettoyage ménager que l'on trouve dans le commerce. N'utilisez pas de produits abrasifs ou d'ustensiles à arêtes vives (éponge métallique, brosse, etc.), car ceux-ci risquent de griffer la surface de la commande et d'enlever la protection contre les éclaboussures.

Contrôlez régulièrement que les fiches de raccordement ne soient pas corrodées ou endommagées, car cela risque de nuire au bon fonctionnement de l'électronique.

Le fabricant décline toute responsabilité pour les dégâts causés par un entretien insuffisant.

## 5.4 Désinfection

Toutes les pièces du lève-personne peuvent être traitées en les frottant avec un désinfectant commercial. Suivez les instructions figurant sur le désinfectant.

Les instructions de lavage des harnais se trouvent dans le manuel des harnais et sur l'étiquette de chaque harnais.

## 5.5 Inspection

En principe, nous recommandons une inspection chaque année, et au minimum une avant la remise en service. Cette inspection doit être réalisée seulement par des personnes autorisées. Tous les contrôles suivants doivent être réalisés et documentés par des personnes autorisées :

- Vérifiez l'état des câbles (pincement, usure, coupures, fils dénudés, parties métalliques apparentes, nœuds ouverts, renflements, décolorations de la gaine, zones cassantes) ainsi que leur disposition afin de limiter les risques d'altération d'ordre mécanique (coupure ou écrasement).
- Vérifiez le cadre et en particulier les éventuels signes de déformation, d'usure et/ou de déchirures des éléments en plastique (cadre, suspension du moteur, potence, étrier d'expansion).
- Contrôle visuel des dégâts à la peinture (risque de corrosion).
- Vérifiez l'état de tous les boîtiers dont les vis doivent être parfaitement serrées.
- Vérification de la lubrification des joints métalliques des pièces mobiles.
- Contrôlez visuellement l'absence de fissures et de points de rupture sur toutes les pièces en plastique.
- Vérifiez le courant de décharge résiduelle (A) du boîtier de commande (chargeur compris) basé sur la norme VDE 0702.
- Vérifiez la résistance d'isolement (MO) du boîtier de commande (chargeur compris) basé sur la norme VDE 0702.
- Contrôle du fonctionnement de la potence (lubrification des articulations, plage de réglage, déformation, usure par sollicitation).
- Vérifiez le fonctionnement des dispositifs de levage (en effectuant des tests de vérification → du bruit, de la vitesse, de la course, etc.), ainsi que, si nécessaire : mesurez les performances, d'abord sans charge puis avec la charge nominale ("SWL"), afin de détecter tout signe d'usure du moteur en comparant les valeurs de courant électrique obtenues avec les valeurs de référence lors de la livraison.
- Contrôle de fonctionnement de l'arrêt d'urgence.
- Contrôle de fonctionnement de l'abaissement d'urgence.
- Fourniture de l'ensemble des pièces, manuel d'instructions disponible?

Les mesures de contrôle ne peuvent être effectuées que par des personnes qui ont au moins suivi une formation sur le produit et auxquelles des électriciens qualifiés ont dispensé une formation sur les outils et procédures de contrôle à mettre en œuvre. L'autorisation d'utiliser le lève-personne après des mesures de contrôle ou un entretien ne peut être délivrée que par un électricien qualifié.

L'entretien ne doit être validé dans le plan de maintenance que si au minimum tous les éléments indiqués ci-dessus ont été contrôlés.

## 5.6 Durée de vie attendue

La durée de vie moyenne du lève-personne est de 8 ans. Selon la fréquence d'utilisation, le stockage, la maintenance, l'entretien et le nettoyage, la durée de vie de votre lève-personne augmentera ou diminuera.

## 5.7 Réutilisation

Avant chaque réutilisation par une autre personne, faites désinfecter, inspecter et entretenir le lève-personne conformément aux instructions de ce chapitre.

## 5.8 Mise au rebut

À la fin de sa durée de vie, votre lève-personne doit être éliminé conformément à la législation environnementale locale. Il est recommandé de démonter le lève-personne afin de faciliter le transport des matériaux recyclables.

## 6 Résolution des problèmes

Tableau 1 : Résolution des problèmes

Problème	Cause du problème	Solution du problème
Bruit au niveau de pièces mobiles (exemple : potence).	Lubrification insuffisante.	Lubrifiez les pièces mobiles <b>(ne lubrifiez pas l'actionneur !)</b>
L'actionneur produit un son inhabituel.	L'actionneur est endommagé.	Remplacez l'actionneur ou contactez votre revendeur spécialisé.
Le lève-personne ne soulève plus.	<ol style="list-style-type: none"> <li>1. L'actionneur électrique est endommagé.</li> <li>2. Le patient est trop lourd (le DEL d'état du système clignote, deux bips se font entendre).</li> <li>3. La commande manuelle ou l'actionneur n'est pas connecté.</li> <li>4. La batterie n'est pas connectée ou elle est mal connectée au boîtier de commande.</li> <li>5. La batterie est déchargée.</li> <li>6. Le bouton d'arrêt d'urgence est activé (le DEL d'état du système est allumé).</li> </ol>	<ol style="list-style-type: none"> <li>1. Remplacez l'actionneur.</li> <li>2. Utilisez un lève-personne adapté au poids du patient.</li> <li>3. Vérifiez les connexions. Connectez si nécessaire la commande manuelle ou l'actionneur.</li> <li>4. Vérifiez que la batterie soit installée et connectée.</li> <li>5. Rechargez ou remplacez la batterie.</li> <li>6. Désactivez le bouton d'arrêt d'urgence.</li> </ol>
Le dispositif d'abaissement manuel en cas d'urgence ne fonctionne pas.	L'abaissement d'urgence n'est possible qu'en présence d'un poids minimal.	Si le patient est trop léger, tirez légèrement sur le bras de levage ou réglez la vitesse d'abaissement.
La batterie ne parvient pas à se recharger.	<ol style="list-style-type: none"> <li>1. La batterie est mal installée dans le boîtier de commande.</li> <li>2. Câble d'alimentation défectueux.</li> <li>3. Batterie défectueuse.</li> <li>4. Chargeur intégré du boîtier de commande ou chargeur de la batterie défectueux.</li> </ol>	<ol style="list-style-type: none"> <li>1. Vérifiez la connexion de la batterie au boîtier de commande.</li> <li>2. Remplacez le cordon d'alimentation.</li> <li>3. Remplacez la batterie.</li> <li>4. Remplacez par un nouveau, le chargeur intégré du boîtier de commande ou le chargeur de la batterie.</li> </ol>



## 7 Spécifications techniques

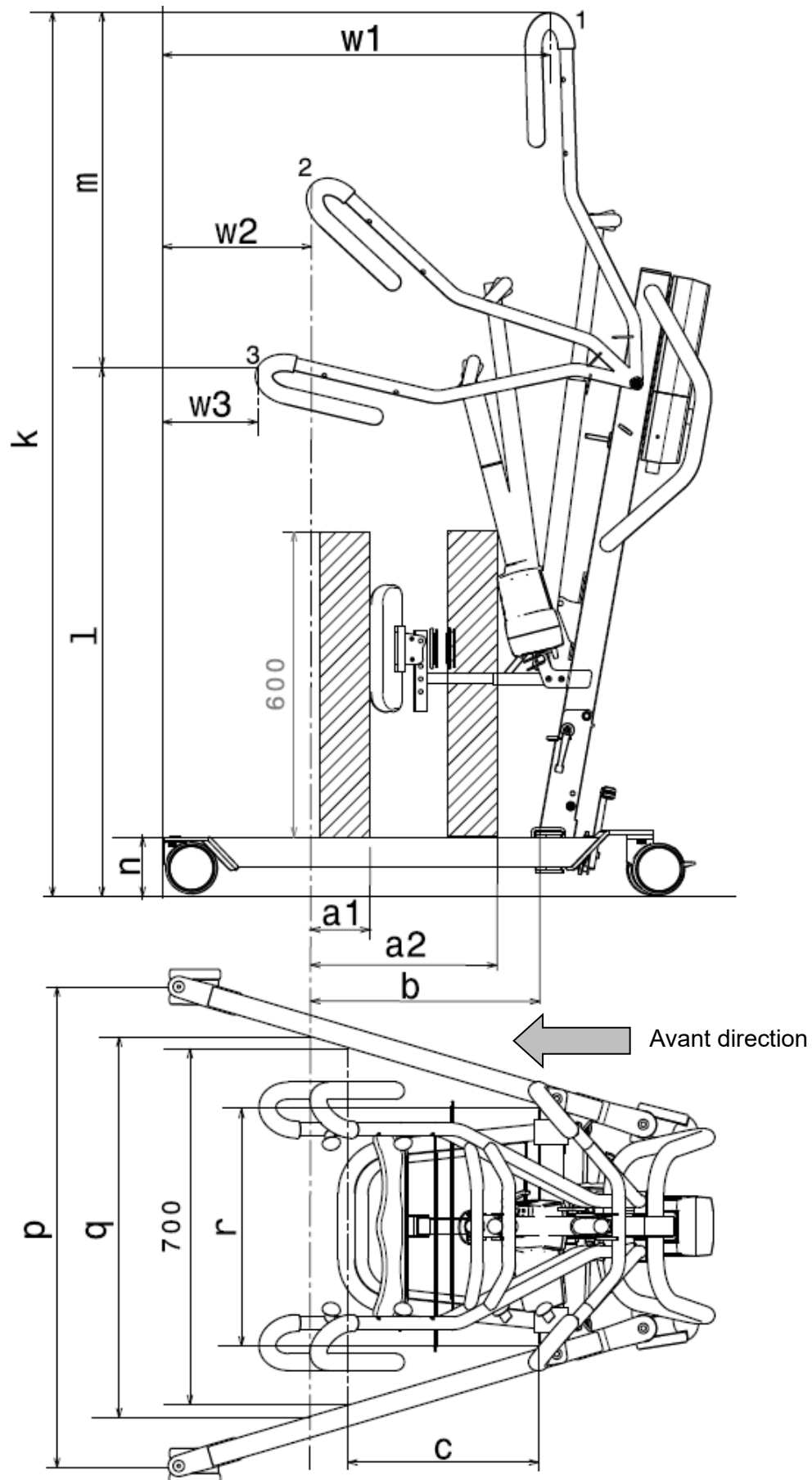


Tableau 2 : Spécifications techniques

<b>Marque</b>	<b>Vermeiren</b>
<b>Type</b>	<b>Lève-personne</b>
<b>Modèle</b>	<b>Albatros</b>

Description	Cote sur le schéma	Dimensions
Position la plus profonde du PAC*	l	1040 mm
Hauteur maximale du PAC*	k	1739 mm
Plage de levage (portée en hauteur)	m	699 mm
Côté		965 mm
Longueur totale		1046 mm
Écart minimal du bras	r	467 mm
Écart maximal du bras	q	749 mm
Hauteur du bras / hauteur de châssis	n	117 mm
Largeur totale (fermé), cote extérieure		584 mm
Largeur totale (ouvert), roues avant	p	945 mm
Longueur plié		1030 mm
Hauteur plié		500 mm
Largeur plié		584 mm
Distance minimale entre paroi et PAC* (hauteur minimale)	w3	188 mm
Distance minimale entre paroi et PAC* (portée maximale)	w2	293 mm
Distance minimale entre paroi et PAC* (hauteur maximale)	w1	762 mm
Rayon de braquage		1133 mm
Poids total		44,85 kg
Poids du châssis + moteur		34,15 kg
Poids de la batterie		2,90 kg
Poids de la plaque repose-pieds		4,55 kg
Poids du repose-jambes		2,80 kg
Poids de la fixation du repose-jambes		0,40 kg
<b>Charge maximale</b>		<b>150 kg</b>
Hauteur libre, minimum		57 mm
Portée maximale à 600 mm avec repose-jambes	a1	100 mm
Portée maximale à 600 mm sans repose-jambes	a2	368 mm
Portée maximale à partir du pied	b	450 mm
Portée à partir du pied avec écart de 700 mm	c	375 mm
Sortie de tension		24V --- maxi 250 VA
Tension d'alimentation		120-240V ~ maxi 37-53 VA
Consommation de courant maximale		Maxi 350 mA



<b>Marque</b>	<b>Vermeiren</b>
<b>Type</b>	<b>Lève-personne</b>
<b>Modèle</b>	<b>Albatros</b>

<b>Description</b>	<b>Cote sur le schéma</b>	<b>Dimensions</b>
Température de fonctionnement		+5 à +40°C
Humidité de l'air		20% à 80% à 30°C, sans condensation
Niveau acoustique		< 50 dB(A)
Pression atmosphérique		700 à 1060 hPa
Boîtier de commande		Linak CAL40
Batterie		Linak BAL40
Commande manuelle		Linak HB3X0L0
Moteur		Linak LA34 (7500N)
Classe de protection du boîtier de commande		IPX4
Classe de protection de la batterie		IPX5
Classe de protection de la commande manuelle		IPX5
Classe de protection du moteur		IP54
Classe d'isolation		II - Type B
Rendement		env. 40 levages par chargement
Vitesse de levage/abaissement		28 sec.
Utilisation périodique		maxi 10%, ou 2 minutes d'utilisation pour 18 minutes de pause
Capacité des batteries		2.9 Ah
Arrêt d'urgence		Oui
Abaissement manuel d'urgence		Oui
Abaissement manuel électrique		No

**Nous nous réservons le droit d'apporter des modifications. Tolérance de mesure +/- 15 mm / 1,5kg / 1,5°**

1 = Position la plus haute, 2 = Portée maximale, 3 = Position la plus basse

\* PAC = Point d'ancrage central



# Inhoudsopgave

<b>Inhoudsopgave</b> .....	<b>1</b>
<b>Voorwoord</b> .....	<b>2</b>
<b>1 Uw product</b> .....	<b>3</b>
<b>2 Voor gebruik</b> .....	<b>4</b>
2.1 Beoogd gebruik .....	4
2.2 Algemene veiligheidsmaatregelen .....	4
<b>3 De patiëntenlift gebruiken</b> .....	<b>5</b>
3.1 Bediening van de lift .....	5
3.2 Tilbanden .....	7
3.3 Batterij en laden .....	8
3.4 Noodgeval .....	10
<b>4 Montage en afstelling</b> .....	<b>11</b>
4.1 Levering .....	11
4.2 Montage of demontage .....	11
4.3 De batterij verwisselen .....	15
<b>5 Onderhoud</b> .....	<b>16</b>
5.1 Tijdstippen voor onderhoud .....	16
5.2 Verpakking en opslag .....	16
5.3 Schoonmaak .....	17
5.4 Desinfecteren .....	17
5.5 Inspectie .....	18
5.6 Verwachte levensduur .....	18
5.7 Hergebruik .....	18
5.8 Beëindiging van gebruik .....	18
<b>6 Probleemoplossing</b> .....	<b>19</b>
<b>7 Technische specificaties</b> .....	<b>20</b>

## Voorwoord

Proficiat! U bent eigenaar van een Vermeiren-patiëntenlift!

Dit product werd vervaardigd door gekwalificeerd en toegewijd personeel. Het werd ontworpen en geproduceerd volgens hoge kwaliteitsnormen, bewaakt door Vermeiren.

Bedankt voor uw vertrouwen in de producten van Vermeiren. Om u te ondersteunen bij het gebruik van deze patiëntenlift en zijn bedieningsmogelijkheden, bieden we u deze handleiding aan. Lees deze informatie zorgvuldig door: het zal u helpen om vertrouwd te raken met de besturing, mogelijkheden en beperkingen van uw patiëntenlift.

Indien u na het lezen van deze handleiding nog vragen heeft, aarzel dan niet om contact op te nemen met uw vakhandelaar. Hij/Zij zal u met plezier verder helpen.

### **Belangrijke opmerking**

Om uw veiligheid te garanderen, en om de levensduur van uw product te verlengen, raden we u aan om er goed zorg voor te dragen en om regelmatig nazicht en onderhoud te laten uitvoeren.

Deze handleiding houdt rekening met de recentste productontwikkelingen. De Firma Vermeiren behoudt zich het recht voor om wijzigingen aan dit type product door te voeren zonder verplicht te zijn om voordien geleverde producten aan te passen of te vervangen.

Afbeeldingen van het product worden gebruikt om de instructies in deze handleiding te verduidelijken. Details van het afgebeelde product kunnen afwijken van uw aangekochte product.

### **Beschikbare informatie**

Op onze website <http://www.vermeiren.com/> kan u steeds de meest recente versie terugvinden van de informatie in deze handleiding. Contacteer deze website regelmatig voor mogelijke updates.

Mensen met een visuele beperking kunnen de elektronische versie van deze handleiding downloaden en laten voorlezen door een tekst-naar-spraak programma.



Deze gebruiksaanwijzing  
Voor de gebruiker en vakhandelaar



Onderhoudshandleiding  
Voor de vakhandelaar



EC-conformiteitsverklaring

# 1 Uw product



1. knoppen voor bevestigingsriemen
2. hefarm
3. transporthouder voor motor
4. motor
5. beensteun
6. chassis
7. staanplaats
8. zwenkwiel
9. transporthouder voor kraagliggerarm
10. batterij
11. noodrem
12. besturingskast
13. mast
14. hendel voor duwen
15. handmatige bediening
16. opklapbare vergrendeling
17. veiligheidsklos
18. pedaal verlengd chassis
19. zwenkwiel met rem

## 2 Voor gebruik

### 2.1 Beoogd gebruik

In dit hoofdstuk wordt kort beschreven wat het beoogde gebruik van uw patiëntenlift inhoudt. Bijkomende relevante waarschuwingen worden gegeven bij de instructies in andere hoofdstukken. Op deze manier proberen we u te waarschuwen voor mogelijk verkeerd gebruik.

- Indicaties en contra-indicaties: Deze patiëntenlift is bedoeld om te worden bediend door een verzorger om zittende patiënten te verplaatsen tussen bijv. rolstoelen, verpleegbedden en badkamers. De tillift is ontworpen en geproduceerd als transport- en transfermiddel voor bejaarden of personen die lijden aan verlamming, verlies of beschadiging van ledematen, stijve of beschadigde gewrichten, cardiovasculaire problemen, cachexie, ... . Bij correct gebruik zijn er geen contra-indicaties gekend.
- Deze patiëntenlift is geschikt voor binnengebruik.
- Deze patiëntenlift is uitsluitend ontworpen voor het vervoer/transfer van één (1) persoon met een maximumgewicht van 150 kg. Het is niet bedoeld om goederen of objecten te vervoeren, noch voor enig ander gebruik dan hiervoor beschreven.
- Gebruik enkel accessoires en reserveonderdelen die werden goedgekeurd door Vermeiren.
- Lees eerst alle technische details en limieten van uw patiëntenlift in hoofdstuk 7.
- De garantie op dit product is gebaseerd op normaal gebruik en onderhoud zoals beschreven in deze handleiding. De garantie vervalt bij schade die werd veroorzaakt door verkeerd gebruik of gebrek aan onderhoud.

### 2.2 Algemene veiligheidsmaatregelen

 **VOORZICHTIG** Gevaar voor letsel en/of beschadiging

Lees de instructies in deze handleiding en volg ze nauwkeurig op. Zo niet, kan dit leiden tot lichamelijk letsel of beschadiging aan uw patiëntenlift.

Houd rekening met de volgende algemene waarschuwingen tijdens het gebruik:

- De patiëntenlift mag alleen worden gebruikt en bediend door geautoriseerde personen die zijn opgeleid voor het gebruik van de lift.
- Overschrijd de maximaal toegestane belasting van de patiëntenlift niet, hierdoor wordt de besturingskast uitgeschakeld.
- Indien de patiëntenlift en tilbanden verschillende gebruikersgewichten hebben, houd dan altijd het laagste gebruikersgewicht aan.
- Tijdens het tillen dient altijd een begeleider aanwezig te zijn.
- Houd er rekening mee dat sommige onderdelen van uw rolstoel zeer warm of koud kunnen worden door omgevingstemperatuur, de zon of verwarmingstoestellen. Wees daarom voorzichtig bij het aanraken.
- Uw rolstoel werd getest op elektromagnetische compatibiliteit en voldoet aan de standaard. Toch kunnen elektromagnetische velden de prestatie van uw patiëntenlift beïnvloeden, bijvoorbeeld bij gsm's, stroomgeneratoren of energiebronnen met hoog vermogen. De elektronica van uw rolstoel kan echter ook andere elektrische apparaten beïnvloeden.
- Gebruik de patiëntenlift enkel op vlakke oppervlakken waarbij alle zwenkwielen de grond raken, en waarbij voldoende contact met de grond mogelijk is voor veilig gebruik van de patiëntenlift. Neem geen obstakels met de lift tijdens de transfer van een patiënt.
- Er mogen geen aanpassingen of veranderingen gemaakt worden aan de beveiligingspunten of structurele onderdelen van de patiëntenlift zonder de producent te contacteren.
- Houd tijdens gebruik uw vingers, gespen, kledij en juwelen uit de buurt van de wielen of bewegende onderdelen.
- Let op met brandende voorwerpen, zoals sigaretten. De tilbanden kunnen vlam vatten.

Indien zich een ernstig incident heeft voorgedaan met uw product, breng dan Vermeiren of uw gespecialiseerde dealer op de hoogte, evenals de bevoegde autoriteit in uw land.

## 3 De patiëntenlift gebruiken

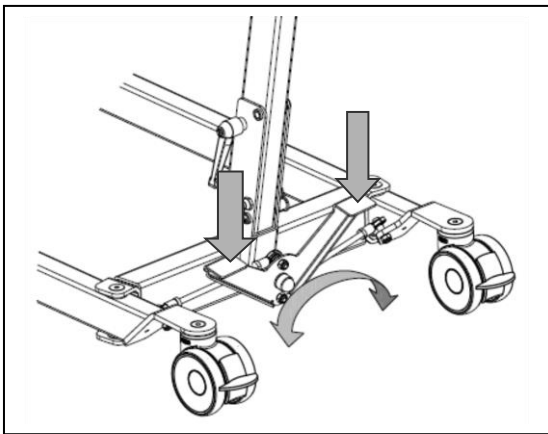
### 3.1 Bediening van de lift

 **VOORZICHTIG** Gevaar voor letsel en/of beschadiging

- Let erop dat bij gebruik van de lift voldoende ruimte naast en boven de lift is, anders kan de beweging van de verstelfuncties schade of letsel veroorzaken.
- Let altijd op de hijsarm om letsel te voorkomen.
- Er mogen alleen tilbanden worden gebruikt die vrijgegeven en geschikt zijn voor patiëntenliften (zie handleiding van desbetreffende tilbanden). Het gebruik van andere tilbanden gebeurt op eigen risico.
- Gebruik enkel de duwbeugels om de patiëntenlift te verplaatsen, geen andere componenten.

Neem de technische gegevens in acht waaronder de patiëntenlift mag worden gebruikt. De patiëntenlift mag alleen worden bediend door geautoriseerde personen die zijn opgeleid voor het gebruik van de lift.

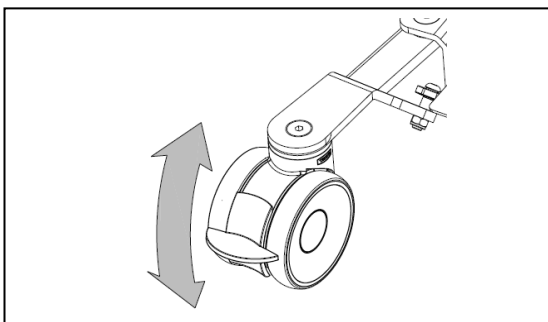
#### 3.1.1 Spreiding onderstel



Om met de lift een rolstoel of andere zitmogelijkheden te omsluiten, maar ook om de stabiliteit van de lift te verhogen, kunt u de afstand tussen de onderstelpoten vergroten.

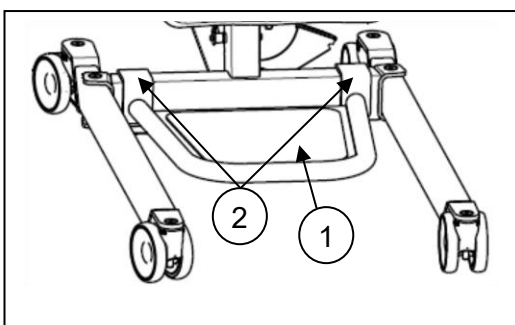
Ga achter de gemonteerde lift staan en houd de duwbeugels van de patiëntenlift vast (aan de linker- en rechterkant, naast de controlebox). Druk met een voet het pedaal van het onderstel (links of rechts) zachtjes naar beneden; de afstand tussen de onderstelpoten wordt hiermee groter of kleiner.

#### 3.1.2 Parkeerremmen



Vergrendel de twee wielen aan de achterzijde van het onderstel door met de voet het rempedaal van de wielen zachtjes omlaag te drukken tot de wielen blokkeren. Om de rem los te maken drukt u met de voet het rempedaal weer zachtjes naar boven totdat de wielen worden vrijgegeven.

#### 3.1.3 Voetplaat



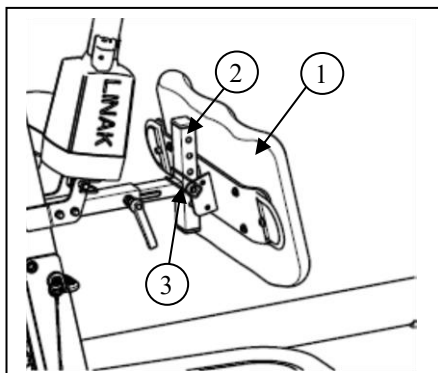
De voetplaat ① kan met de haken ② op het chassis van de patiënten lift worden bevestigd of daarvan worden verwijderd.



### 3.1.4 Beensteun

**⚠ VOORZICHTIG** Gevaar voor letsel en/of beschadiging

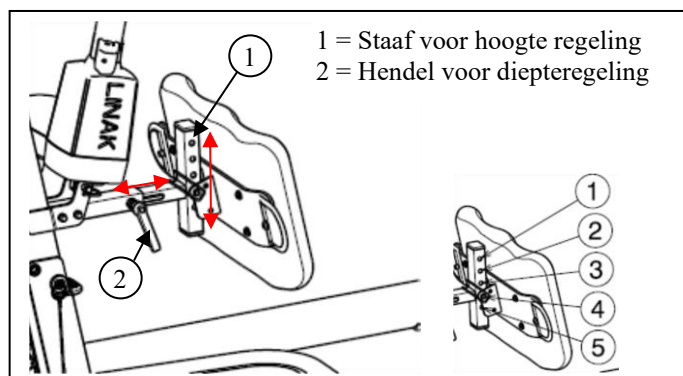
- Leg de beensteun niet op de patiënt tijdens het afstellen.



De beensteun ① kan op de stang van de patiënttakel ② worden bevestigd met een veiligheidspen ③.

De beensteun is bedoeld om de benen van de patiënt in de juiste positie te houden en om de benen van de patiënt tijdens het staan te ondersteunen.

De beensteunen kunnen in diepte en in vijf verschillende hoogten worden afgesteld.



Hoogte van de voetplaat tot de top van de beensteun	Positie
520 mm	Gat 1
495 mm	Gat 2
470 mm	Gat 3
445 mm	Gat 4
420 mm	Gat 5

### 3.1.5 Hefarm omhoog brengen / neerlaten

Via de handbediening kan de hefarm traploos worden versteld.

- ① = Hefarm omhoog brengen
- ② = Hefarm neerlaten

Bij het gebruik van de liftfunctie tot aan het uiteinde van de liftmotor wordt de limietschakelaar via elektronica geactiveerd (beveiligingsfunctie). Benut de liftfunctie alleen in het midden van het verstelbereik.



### 3.1.6 Verplaatsen van de patiëntenlift

**⚠ VOORZICHTIG** Gevaar voor letsel

- Wees voorzichtig wanneer u langs beperkte doorgangen gaat (bijv. deuren).
  1. Ga achter de patiëntenlift staan en grijp de duwbeugels (links en rechts, naast de controle box) met beide handen vast.
  2. Controleer of beide remmen van de achterste wielen los zijn.
  3. Schuif de patiëntenlift langzaam in de gewenste stand.

In onbelaste toestand kunt u de patiëntenlift het beste achterwaarts rijden zodat hindernissen (bijvoorbeeld deurkozijnen, kamerhoeken of meubilair) gemakkelijker kunnen worden omzeild.

### 3.1.7 De patiëntenlift rond zijn as draaien

 **VOORZICHTIG** Gevaar voor letsel

- Zorg ervoor dat er zich geen personen of voorwerpen binnen het draaibereik van de patiëntenlift bevinden.
  - Draai de patiëntenlift voorzichtig en traag rond zijn as zodat de patiënt niet naar buiten geslingerd kan worden.
1. Open de benen van de patiëntenlift om meer stabiliteit te geven.
  2. Activeer de remmen.
  3. Plaats de patiënt in de patiëntenlift met de geschikte tilband (verwijs naar de handleiding van de tilbanden voor de instructies hoe de patiënt in de patiëntenlift te plaatsen).
  4. Hef de patiënt van de grond, stoel, bed, ....
  5. Maak beide remmen van de achterwielen los.
  6. Ga achter de patiëntenlift staan en grijp de duwbeugels (links en rechts, naast de controlebox) met beide handen vast.
  7. Draai nu de patiëntenlift voorzichtig, traag rond op dezelfde plaats. Zorg ervoor dat u geen voorwerpen raakt met de benen van de patiëntenlift.
  8. Wanneer u in de goede positie bent rondgedraaid, kan u de patiënt terug neerlaten.

### 3.2 Tilbanden

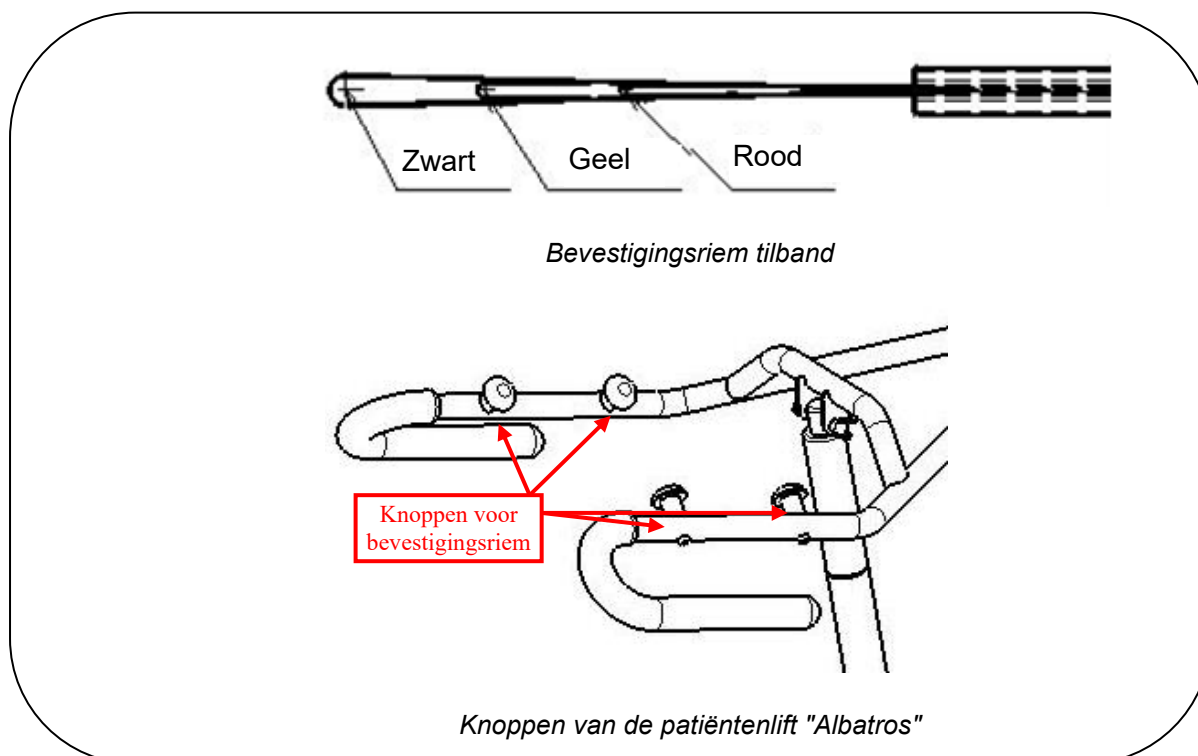
 **VOORZICHTIG** Gevaar voor letsel

- Gebruik alleen geschikte tilbanden voor de patiënten.
- Gebruik geen beschadigde tilbanden.
- Lees eerst de volledige handleiding van de tilbanden.
- Gebruik enkel tilbanden die door Vermeiren zijn goedgekeurd.

#### 3.2.1 Bevestiging aan de knoppen van de patiëntenlift

De bevestiging van de tilband gebeurt via de bevestigingsriemen. Deze bevestigingsriemen worden aan de knoppen van de patiëntenlift opgehangen.

De bevestigingsriemen van de tilband zijn voorzien van 3 lussen in verschillende kleuren.



Met de drie verschillende lussen is het mogelijk om patiënten met verschillende lengtes op te heffen.

Kleur	Omschrijving
Rood	Grote patiënten, de handen van de patiënt kunnen gemakkelijk aan de grijparm van de patiëntenlift zodat de patiënt kan helpen om zelf actief op te staan.
Geel	Combinatie
Zwart	Kleine patiënten: De patiënt is relatief klein in vergelijking met de hoogte van de knoppen.

### 3.3 Batterij en laden

#### 3.3.1 Batterij



De batterij bevindt zich boven de controle box en kan worden vervangen met een ingebouwd klemsysteem.

Primaire spanning	24 V DC
Omgevingstemperatuur	+5°C tot +40°C
Omgevingstemperatuur bij opslag	-10° tot +40°C
Relatieve luchtvochtigheid bij opslag	max. 80% (niet condenseren)
Conformiteit	getest volgens IEC 60601-1

#### 3.3.2 Controle box + interne batterijlader



De controle box is ontworpen met een rode noodstopknop en een interne batterijlader.

Primaire spanning	100 - 240 V AC / 50/60 Hz
Secundaire spanning (laadspanning)	24 V DC, max. 250 VA
Secundaire stroom (laadstroom)	max. 10 A
Beveiligingen	Beschermd tegen ompoling, overspanning en te hoge temperatuur
Omgevingstemperatuur	+5°C tot +40°C
Omgevingstemperatuur bij opslag	-10° tot +40°C
Relatieve luchtvochtigheid bij opslag	max. 80% (niet condenseren)
Conformiteit	getest volgens IEC 60601-1

We behouden ons het recht voor om technische wijzigingen te introduceren.

### 3.3.3 Externe oplader (OPTIONEEL)



De externe oplader moet aan de muur worden bevestigd. U kunt de reservebatterij (optioneel) met deze externe oplader opladen. U hoeft dan niet te wachten om de patiëntenlift te gebruiken als u de batterijen aan het opladen bent.

Primaire spanning	100 - 240 V AC / 50/60 Hz
Oplaadstroom	max. 650 mA
Omgevingstemperatuur	+5°C tot +40°C
Omgevingstemperatuur bij opslag	-10° tot +40°C
Relatieve luchtvochtigheid bij opslag	max. 80% (niet condenseren)

### 3.3.4 De batterijen opladen

Gebruik de controle box met de interne batterijlader op de Albatros of de externe oplader die aan de muur moet worden bevestigd.

We raden u aan om de batterijen regelmatig opnieuw op te laden om ervoor te zorgen dat de lift bruikbaar blijft en om de levensduur van de batterijen te verlengen. De controlebox geeft een waarschuwingssignaal om u te laten weten dat de batterij bijna leeg is.

#### ***Inbedrijfstelling***

Steek eerst de stroomkabel met de plug in de juiste aansluiting van de controlebox. De stekker van de voedingskabel moet in het stopcontact worden gestoken.

#### ***Opnieuw opladen***

**⚠ WAARSCHUWING: Risico op letsel – Gebruik de lift niet als de stroomkabel in het stopcontact zit.**

Wanneer de batterij bijna leeg is, knippert de helft van de groene LED en is er een korte pieptoon te horen wanneer de patiëntenlift geactiveerd wordt.

Als de LED knippert en een continue pieptoon te horen is, zijn er nog maar twee cycli mogelijk met de batterij.



Als de batterijen worden opgeladen, brandt de helft van de LED groen. De batterij is volledig opgeladen zodra de LED volledig groen is.

Nadat het oplaadproces is voltooid, moet u altijd eerst de stekker uit het stopcontact halen en dan de plug uit de controle box.

Gebruik de lift niet terwijl deze wordt opgeladen!

Als de batterijen voor een lange periode niet worden gebruikt, ontladen ze langzaam zichzelf (volledige ontlading). Zo wordt het onmogelijk om ze opnieuw op te laden. U moet de batterijen daarom minstens 1 keer per maand opnieuw opladen, ook al worden ze niet gebruikt.

## 3.4 Noodgeval

In noodgevallen moeten de noodstopknop en de functie voor het omlaag brengen van de patiënt worden gebruikt.

### 3.4.1 Noodstopknop



In noodgevallen, en tijdens montage en demontage, wordt de noodrem geactiveerd door op de rode knop op de controle box te drukken.

Druk op de knop en draai in de richting van de pijlen. Als de knop volledig naar achteren is gedrukt, draai dan terug in de tegenovergestelde richting van de pijlen.

De noodstopknop wordt uitgeschakeld door de rode knop in de richting van de pijltjes te draaien.

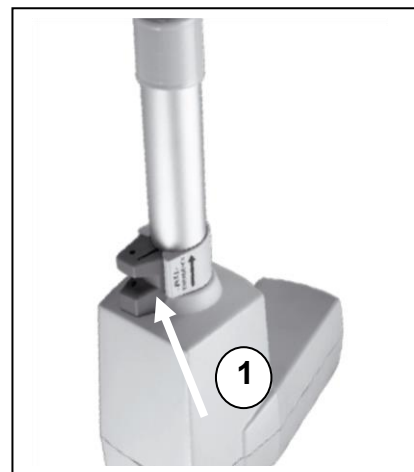
### 3.4.2 Neerlaten in noodsituaties

**⚠ WAARSCHUWING: Risico op letsel - Stel het handmatig verlagen bij noodgevallen af op het gewicht.**

Het omlaag brengen bij noodgevallen kan, als de stroom uitvalt of de batterijen leeg zijn, worden uitgevoerd met behulp van de rode trekknop ① aan het lage uiteinde van de motor. Deze functie voor het omlaag brengen bij noodgevallen is in de fabriek afgesteld op een patiëntengewicht van 75 kg.

Standaardkalibratie: 3000N, 16 mm/s om de patiënt omlaag te brengen.

Let op dat de handmatige functie voor omlaag brengen bij noodgevallen alleen mogelijk is als de patiënt in de patiëntenlift zit.



## 4 Montage en afstelling

De patiëntenlift wordt door de vakhandelaar volledig gemonteerd afgeleverd.

**De in dit hoofdstuk beschreven instructies zijn bestemd voor de vakhandelaar.**

Om een servicepunt of vakhandelaar in uw buurt te vinden, neemt u contact op met de dichtstbijzijnde Vermeiren faciliteit.

**⚠ WAARSCHUWING: Risico bij onveilige instellingen - Gebruik enkel de instellingen beschreven in deze handleiding.**

### 4.1 Levering

De Vermeiren Albatros-patiëntenlift wordt geleverd met:

- chassis inclusief 4 zwenkwielen (2 met remmen)
- pool, inclusief hendels voor duwen
- kraagliggerarm met verstelling voor draagband
- besturingskast (+ meegeleverde batterijoplader)
- batterij
- handmatige besturing
- Motor
- handleiding
- staanplaats
- beensteun

Controleer vóór gebruik of alles is meegeleverd en er geen producten zijn beschadigd (tijdens het transport bijvoorbeeld...).

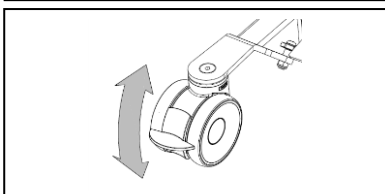
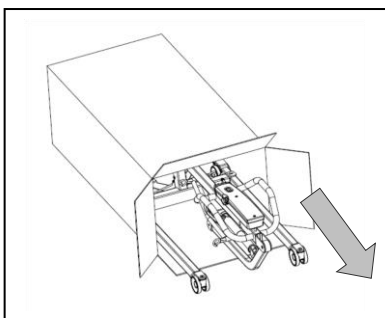
Denk eraan dat de basis configuratie kan variëren in de verschillende Europese landen. Neem voor meer informatie contact op met de vakhandelaar in uw land.

### 4.2 Montage of demontage

#### 4.2.1 Uitpakken

**⚠ WAARSCHUWING: Risico op letsel - Na het uitpakken voordat u verder monteert, controleert u altijd eerst of de noodstopknop (de rode drukknop op de controlebox) is ingedrukt.**

De verpakking van de patiëntenlift is zo gekozen dat optimale bescherming tijdens transport is gegarandeerd.

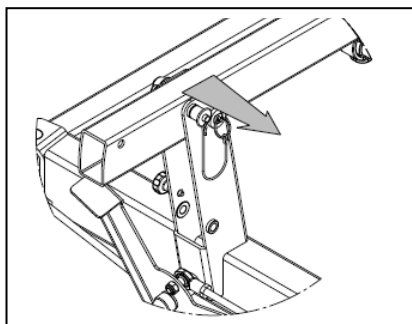


1. Haal de patiëntenlift uit de verpakking en controleer of de levering compleet is en of afzonderlijke delen zichtbare schade vertonen. Bij beschadigingen neemt U contact op met de vakhandelaar.
2. Vergrendel voor de montage de lift tegen ongewenste bewegingen door alle remwielen vast te zetten. Druk met de voet de remplaat van de wielen zachtjes omlaag totdat het wiel blokkeert. Om de rem los te maken drukt U met de voet de remplaat weer zachtjes naar boven totdat het wiel wordt vrijgegeven.

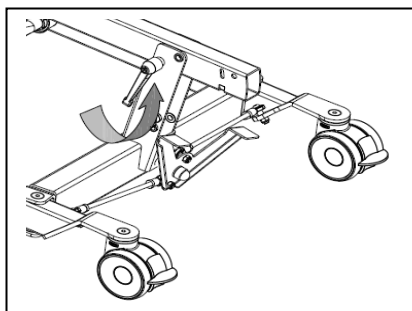


## 4.2.2 Montage

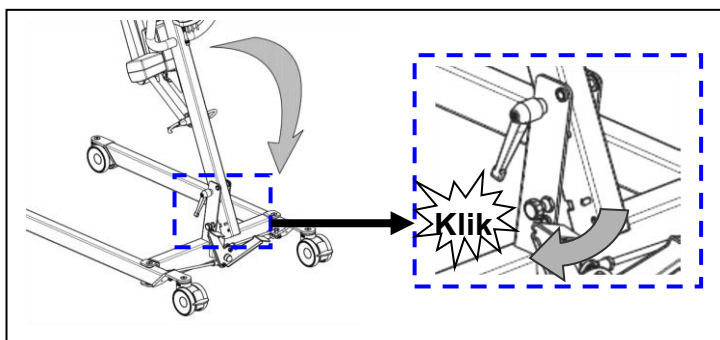
**⚠ WAARSCHUWING: Risico op klemmen - Let erop dat er geen lichaamsdelen of bedrading vast komen te zitten, of worden platgedrukt tijdens de montage.**



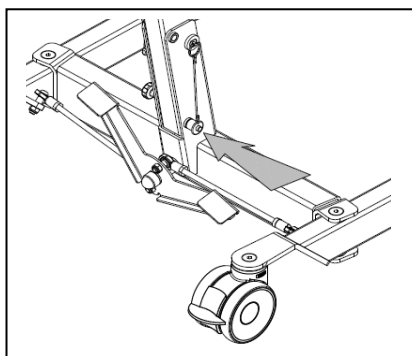
1. Verwijder de vergrendelas (steekas) aan het ondereinde van de mast door de drukknop op de kop van de as licht in te drukken. De vergrendelas kan er nu gemakkelijk worden uitgetrokken.



2. Maak de transportbeveiliging (knevelschroef) enigszins los en de mast kan nu rechtop worden gezet.

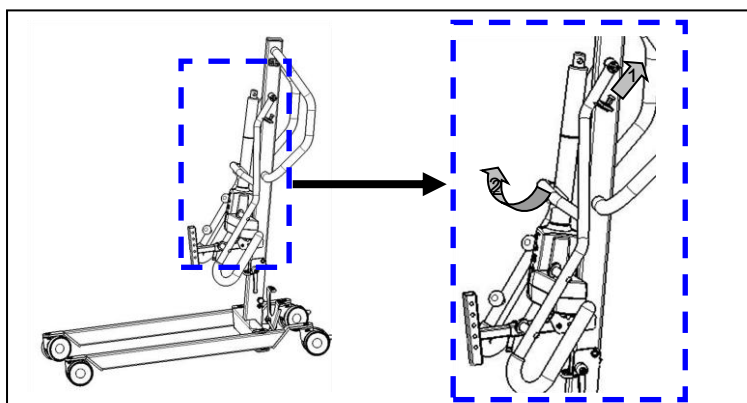


- 2.a De standvergrendeling (trekschroef) klikt hoorbaar als de mast in zijn eindpositie wordt opgesteld.



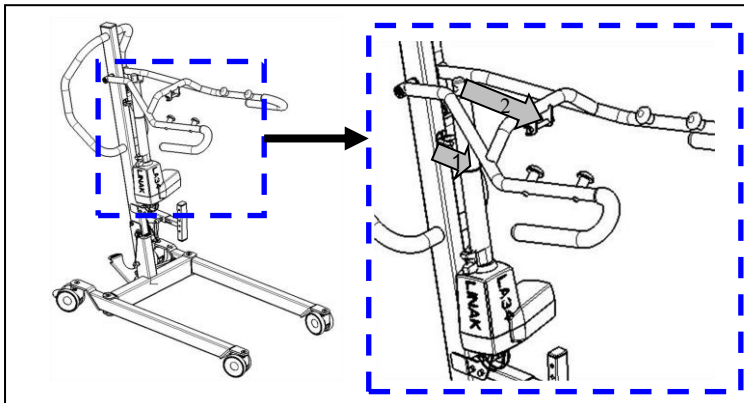
3. **⚠ WAARSCHUWING: Kans op letsel – Let erop dat de vergrendelas op de juiste wijze is geplaatst.**

Vergrendel de mast door de vergrendelas aan het einde van de mast met ingedrukte drukknop zover door te schuiven totdat deze aan het andere einde weer zichtbaar is. Laat de drukknop van de vergrendelas weer los en controleer of u deze er weer kunt uittrekken.



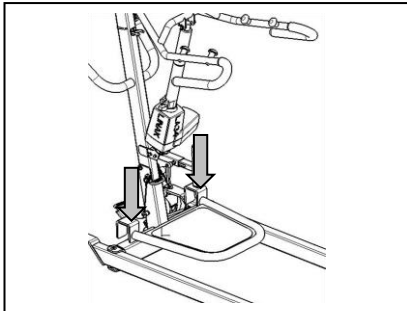
4. Verwijder de hefarm van de bovenkant van de mast (2). U doet dit door voorzichtig aan de pin (1) te trekken.



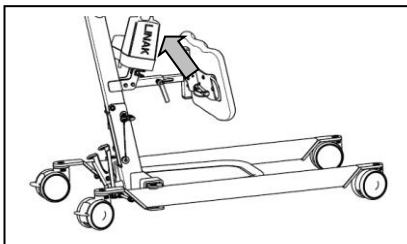


5. Verwijder voorzichtig de aandrijving door deze uit de zwarte klem (1) te trekken.

6. Bevestig de aandrijving op de hefarm met behulp van de vergrendelingspin (2). Zorg ervoor dat de aandrijving goed tussen de hefarm wordt geplaatst.



7. Bevestig de voetplaat met de haken op het chassis van de patiëntenlift.

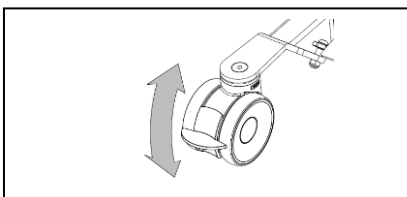


8. Bevestig de beensteun met behulp van de vergrendelingspin. Plaats beensteun op de gewenste hoogte en diepte.

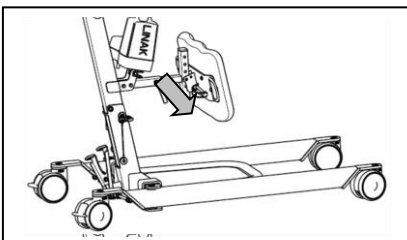
#### 4.2.3 Demontage

**⚠ WAARSCHUWING: Risico op klemmen -** Let erop dat er geen lichaamsdelen of bedrading vast komen te zitten, of worden platgedrukt tijdens de demontage.

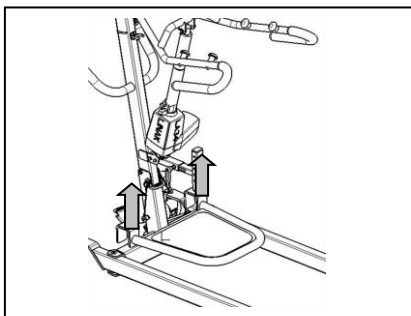
**⚠ WAARSCHUWING: Risico op letsel -** Controleer of de noodstopknop (rode drukknop op de controlebox) is ingeschakeld, om onbedoelde bewegingen tijdens het afstellen te voorkomen.



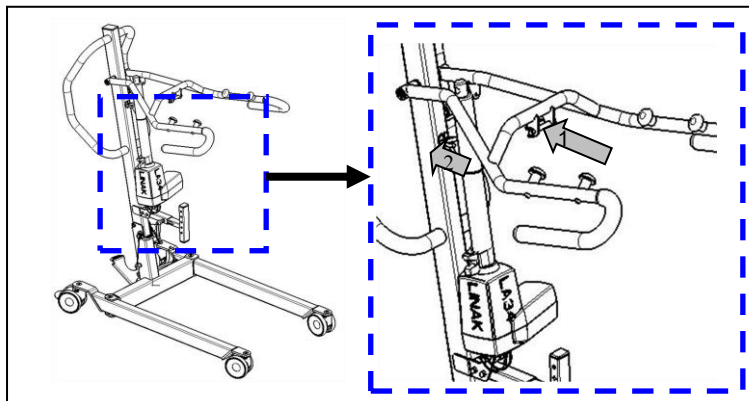
1. Vergrendel de twee wielen aan de achterzijde van het onderstel door met de voet de rempedaal van de wielen zachtjes omlaag te drukken tot de wielen blokkeren. Om de rem los te maken drukt u met de voet de rempedaal weer zachtjes naar boven totdat de wielen worden vrijgegeven.



2. Verwijder de beensteun met behulp van de vergrendelingspin.

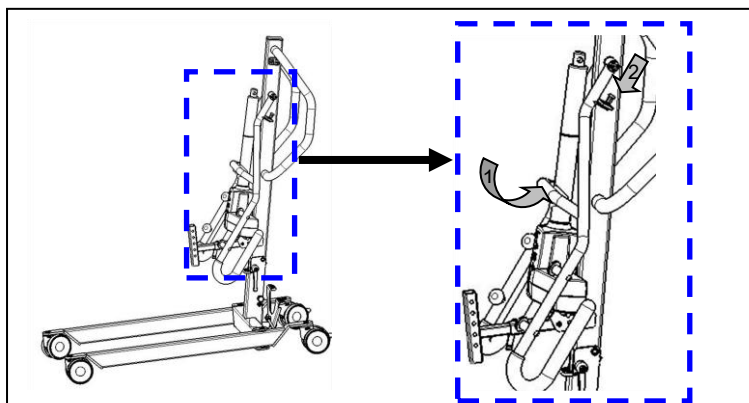


3. Verwijder de voetplaat van het chassis van de patiëntenlift.

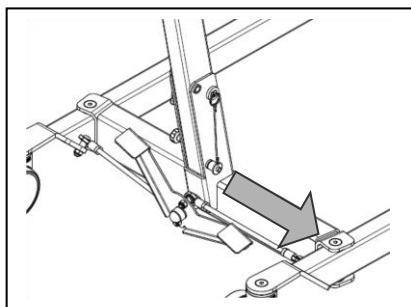


4. Haal de aandrijving (motor) van de hefarm door de vergrendelingspin (1) te verwijderen.

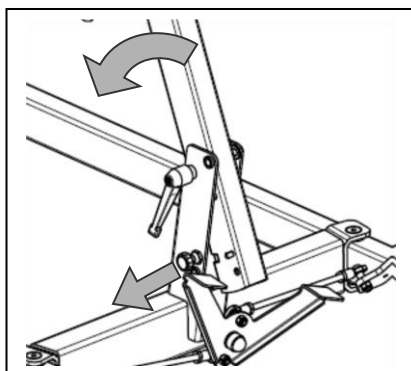
5. Verplaats de aandrijving naar de onderste positie en leg de aandrijving in de achterste klem (2).



6. Verplaats de hefarm naar de onderste positie (1). Maak de pin aan de bovenkant van de mast in het gat van de hefarm (2) vast.



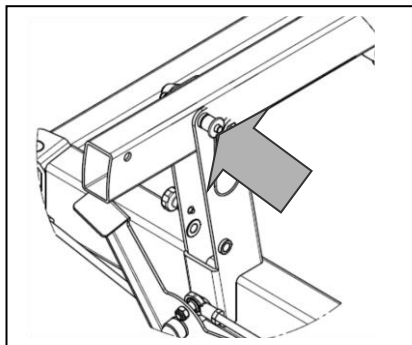
7. Verwijder de vergrendelas (steekas) aan het onderste einde van de mast door de drukknop op de kop van de as licht in te drukken. De vergrendelas kan er nu gemakkelijk worden uitgetrokken.



8. **⚠ WAARSCHUWING: Kans op letsel – Als de mast is ontgrendeld, kan deze door zijn eigen gewicht met kracht vallen.**

Trek aan de standvergrendeling (trekschoef) totdat de mast voor kantelen wordt vrijgegeven. De mast kan nu naar voren worden gekanteld.

Kantel de mast zo ver mogelijk naar voren.



9.  **WAARSCHUWING: Kans op letsel – Let erop dat de vergrendelas op de juiste wijze is geplaatst.**

Vergrendel de mast door de vergrendelas aan het einde van de mast met ingedrukte drukknop zover door te schuiven totdat deze aan het andere einde weer zichtbaar is. Laat de drukknop van de vergrendelas los en controleer of u deze weer kunt uittrekken.

### 4.3 De batterij verwisselen

- We wijzen alle aansprakelijkheid voor beschadiging af die is veroorzaakt door het gebruik van een onjuiste batterij.
- Gebruik de batterij niet bij temperaturen onder +5°C of boven +50°C (de ideale temperatuur is +20°C).
- Zowel de aansprakelijkheid van de fabrikant als welke claim dan ook vervalt, als de batterijen worden geopend.




De batterij van de patiëntenlift kan worden verwisseld via een ingebouwd klemsysteem.

Als u de batterij wilt verwisselen, drukt u op het ingebouwde klemsysteem. De plaat komt omhoog en de batterij kan uit de houder worden gehaald (controlebox).

## 5 Onderhoud

### 5.1 Tijdstippen voor onderhoud

 **VOORZICHTIG** Gevaar voor letsel of beschadiging

Reparaties en vervangingen mogen enkel uitgevoerd worden door opgeleid personeel, en enkel originele onderdelen van Vermeiren mogen hierbij gebruikt worden.

- i** De laatste pagina van deze handleiding bevat een registratieformulier, bedoeld voor de vakhandelaar om ieder onderhoud te registreren.

De onderhoudsfrequentie hangt af van de frequentie en intensiteit van gebruik. Neem contact op met uw vakhandelaar om een tijdschema vast te leggen voor nazicht/onderhoud/reparatie.

Voor de onderhoudshandleiding kan u onze website raadplegen: [www.vermeiren.com](http://www.vermeiren.com).

#### *Voor ieder gebruik*

Kijk de volgende punten na:

- Alle onderdelen: aanwezig en niet beschadigd of versleten.
- Alle onderdelen: schoon, zie §5.3.
- Staat van de frameonderdelen: geen vervorming, instabiliteit, zwakte of losse verbindingen.
- Remmen: geen zichtbare schade en/of vuil.
- Controlebox, manuele bediening, batterijlader, relevante kabels: geen schade zoals gerafelde, gebroken of blootliggende draden. Controleer of de elektrische verstelling van de hefarm goed werkt met behulp van de bediening.
- Batterijstatus: laad de batterij op indien nodig, zie §3.3.

#### *Ongeveer om de 8 weken*

Afhankelijk van de regelmaat waarmee u het product gebruikt, dient u de volgende punten te controleren:

- Smering van de scharnierverbindingen van de hefarm
- Toestand van de wielen
- Is er zichtbare schade aan de behuizing van de besturingskast, batterij, batterijlader (indien beschikbaar) en de handbediening?
- Toestand van de kabels veilig voor transport?
- De batterij opnieuw opladen

#### *Ongeveer elke 6 maanden of voor elke nieuwe gebruiker*

Afhankelijk van de regelmaat waarmee u het product gebruikt, dient u de volgende punten te controleren:

- Netheid
- Algemene toestand
- Werking van de wielen

Bij een te grote rolweerstand dienen de lagers van de wielen te worden gereinigd. Wanneer dit niet volstaat, neemt u contact op met de vakhandelaar.

#### *Jaarlijks of vaker*

Laat uw patiëntenlift nakijken en onderhouden door uw vakhandelaar, ten minste één keer per jaar of vaker. De minimale onderhoudsfrequentie is afhankelijk van het gebruik en moet daarom besproken worden met uw vakhandelaar.

### 5.2 Verpakking en opslag

Om de patiëntenlift te verpakken of te bewaren dienen volgende instructies te worden gevolgd:

- Transport en opslag van de patiëntenlift moet gebeuren volgens de specificaties in §7. Bewaar de patiëntenlift droog.
- Controleer kabels op knellen en plooiën.
- Trek het stroomsnoer van de patiëntenlift uit het stopcontact.

- Beschermen door voldoende afdekking of verpakking tegen roest en binnendringen van vreemde voorwerpen (bijv. zout water, zeelucht, zand, stof).
- Alle gedemonteerde onderdelen duidelijk opslaan (eventueel labelen), opdat bij het monteren achteraf geen verwarring met andere producten mogelijk is (bv. de lader).
- Zorg dat er geen voorwerpen op of tegen de lift en zijn onderdelen liggen om schade te voorkomen.

## 5.3 Schoonmaak

### WAARSCHUWING

Gevaar voor beschadiging door vocht

- Gebruik nooit een tuinslang of hogedrukreiniger om de rolstoel schoon te maken.
- Bij hardnekkige vlekken kunt u gebruik maken van een gangbaar fijnwasmiddel.
- Vlekken kunt u verwijderen met een sponsje of een zachte borstel.
- Gebruik geen agressieve reinigingsmiddelen zoals oplosmiddelen en gebruik ook geen harde borstels.

### 5.3.1 Kunststof onderdelen

Reinig de kunststofonderdelen van uw patiëntenlift met een gangbaar reinigingsmiddel voor kunststof. Lees de specifieke productinformatie en gebruik alleen een zachte borstel of zachte spons.

### 5.3.2 Coatings

De patiëntenlift bestaat uit stalen onderdelen. Door de hoogwaardige oppervlaktebehandeling is een optimale corrosiebescherming gegarandeerd. Wanneer de buitenste coating door krassen e.d. is beschadigd, laat u deze door uw vakhandelaar repareren.

Voor het schoonmaken gebruikt u alleen warm water en algemeen verkrijgbare huishoudelijke reinigingsmiddelen, evenals zachte borstels en doeken. Let op dat er geen vocht in de buizen komt.

### 5.3.3 Elektronicabehuizing

**⚠ WAARSCHUWING: Kans op letsel – Voor iedere onderhoudsbeurt moet de noodstopknop worden bediend omdat anders ongewenste verstelbewegingen kunnen optreden.**

Poets de besturingskast, motorbehuizing en handbediening met een doek die lichtjes is bevochtigd met een paar druppels allesreiniger. Gebruik geen schuurmiddelen of scherpe schoonmaakproducten, zoals een metaalspons of -borstel. Deze krassen immers het oppervlak van de handbediening en tasten de spatwaterbescherming aan.

Controleer regelmatig de aansluitingen op corrosie of beschadiging, omdat daardoor de goede werking van de elektronica nadelig wordt beïnvloed.

De fabrikant kan niet aansprakelijk worden gesteld voor schade als gevolg van onzorgvuldige verzorging.

## 5.4 Desinfecteren

Alle onderdelen van de patiëntenlift kunnen worden behandeld met een commercieel desinfectiemiddel. Volg de instructies op de desinfectant.

Wasinstructies voor tilbanden kan u vinden in de handleiding van de tilbanden en op het label van iedere tilband.

## 5.5 Inspectie

In principe adviseren wij een jaarlijkse inspectie en in ieder geval voor ieder nieuw gebruik. Deze inspectie mag uitsluitend door bevoegde personen worden uitgevoerd. De volgende controles dienen minstens te worden uitgevoerd en gedocumenteerd door geautoriseerde personen:

- Controleer de bekabeling (met name op platdrukken, slijtage, scheuren, zichtbare onderdelen van de isolatie van de binnenste bedrading, zichtbare metalen draadkernen, knikken, bollingen, kleurwijzigingen van de buitenste hoes, broze plekken, en veilige plaatsing zodat mechanische defecten zoals platgedrukte of afgebroken onderdelen niet waarschijnlijk zijn).
- Visuele inspectie van de frameonderdelen om te controleren op vervorming van de kunststof onderdelen en/of slijtage (frame, motorophanging, hefarm, verlengsteun).
- Visuele controle op beschadiging van de verf (gevaar op corrosie).
- Visuele inspectie van alle behuizingen op beschadiging; schroeven moeten goed zijn aangedraaid.
- Controleer de hoeveelheid smering op de metalen verbindingstukken van de beweegbare onderdelen.
- Visuele controle van alle kunststof onderdelen op scheuren en breekbare punten.
- Controleer de besturingskast (inclusief oplader) op restontladingsstroom ( $A$ ) op basis van VDE 0702.
- Controleer de besturingskast (inclusief oplader) op isolatieweerstand ( $MO$ ) op basis van VDE 0702.
- Functionele test van de hefarm (smering van de verbindingsonderdelen, afstelbaarheidsbereik, vervorming, slijtage).
- Controleer de werking van de motoraandrijvingen (tijdens een testrit → geluid, snelheid, soepelheid, etc.). Indien nodig: meten van het vermogen, eerst zonder last, daarna met de nominale last ("SWL") om zo eventuele slijtage van de motoren te kunnen onderzoeken door de waarden van de elektrische stroom te vergelijken met de waarden bij levering.
- Functionele test van de noodstopknop.
- Functionele test van de functie voor het omlaag brengen bij noodgevallen.
- Volledige levering, gebruiksaanwijzing aanwezig?

Meetcontroles mogen uitsluitend worden uitgevoerd door personen die minstens voor het product zijn opgeleid en die minstens door een geschoold elektricien zijn onderwezen over de te gebruiken controlemiddelen en controleprocedures. Alleen een geschoold elektricien mag de patiëntenlift na de meetcontroles of het onderhoud vrijgeven voor gebruik.

Laat het onderhoud alleen in het onderhoudsplan opnemen wanneer minstens de hierboven vermelde aspecten zijn gecontroleerd.

## 5.6 Verwachte levensduur

De patiëntenlift is ontworpen voor een gemiddelde levensduur van 8 jaar. De levensduur zal toenemen of afnemen afhankelijk van de gebruiksfrequentie, opslag, onderhoud, nazicht en schoonmaak.

## 5.7 Hergebruik

Voor ieder hergebruik dient de patiëntenlift te worden onderhouden, gedesinfecteerd en geïnspecteerd volgens de aanwijzingen in dit hoofdstuk.

## 5.8 Beëindiging van gebruik

Op het einde van de levensduur dient u de patiëntenlift te vernietigen volgens de lokale milieuwetgeving. De beste manier om dit te doen, is de lift te demonteren om het vervoer van de recycleerbare onderdelen te vergemakkelijken.



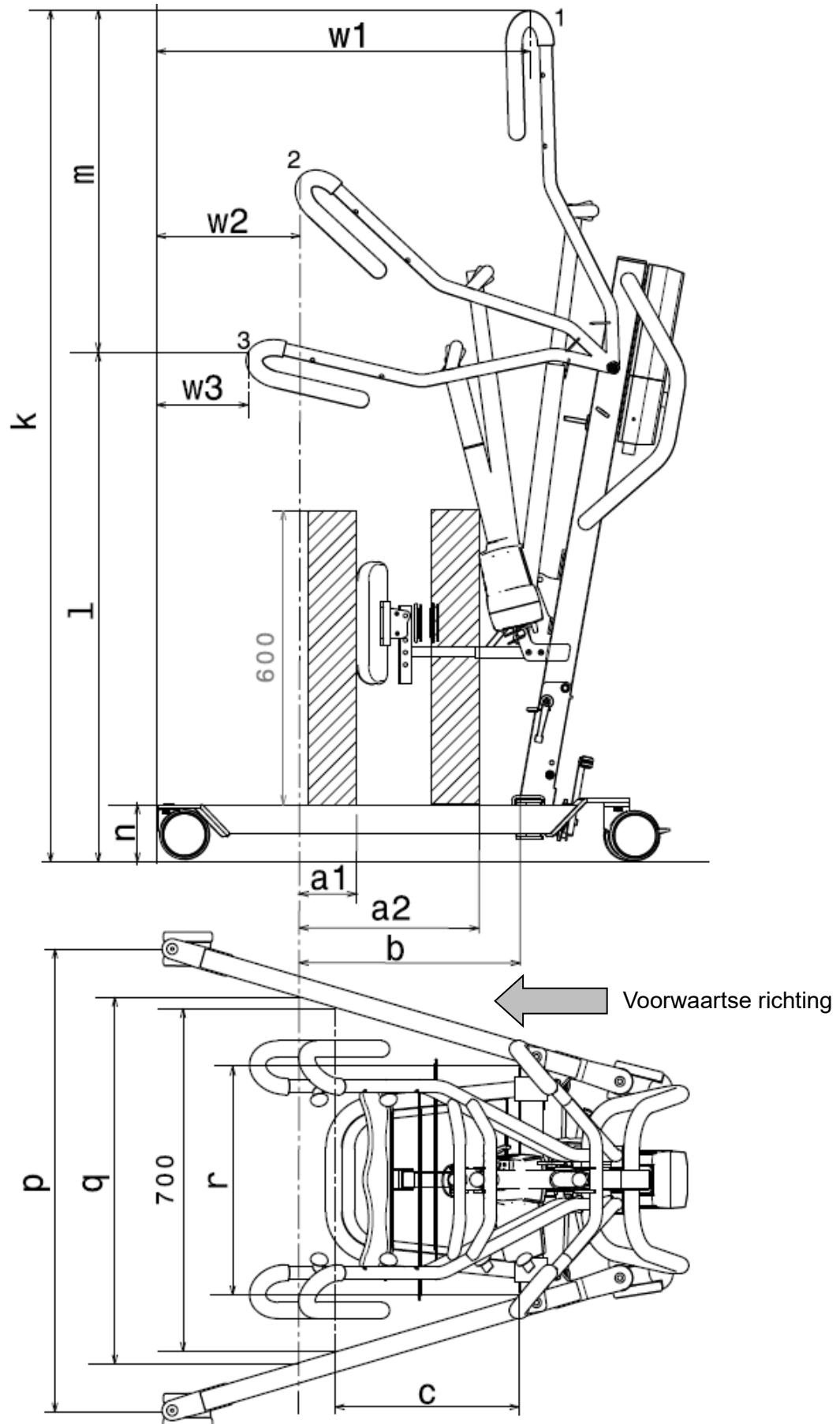
## 6 Probleemoplossing

Tabel 1: Technische specificaties

Probleem	Oorzaak van probleem	Probleem oplossen
Ongebruikelijk geluid van de bewegende onderdelen (bijvoorbeeld: hefarm)	Smering is vereist.	Smeer de bewegende onderdelen. <b>(Smeer de aandrijving niet!)</b>
Aandrijving maakt ongebruikelijk geluid.	De aandrijving is beschadigd.	Vervang de aandrijving of neem contact op met uw vakhandelaar.
De patiëntenlift gaat niet meer omhoog.	<ol style="list-style-type: none"> <li>1. De elektrische aandrijving is beschadigd.</li> <li>2. Het gewicht van de gebruiker is te hoog (de systeemstatus-LED knippert, u hoort twee piepjes).</li> <li>3. Handbediening of aandrijving zijn niet aangesloten.</li> <li>4. Batterij niet aangesloten of niet juist aangesloten op de besturingskast.</li> <li>5. Batterij is ontladen.</li> <li>6. Noodstopknop is ingeschakeld (de systeemstatus-LED brandt).</li> </ol>	<ol style="list-style-type: none"> <li>1. Vervang de aandrijving.</li> <li>2. Gebruik een patiëntenlift met een hoger maximaal gebruikersgewicht.</li> <li>3. Controleer de aansluitingen. Sluit indien nodig de handbediening of aandrijving aan.</li> <li>4. Controleer of de batterij of de aansluiting van de batterij is geplaatst.</li> <li>5. Laad de batterijen op of verwissel ze.</li> <li>6. Schakel de noodstopknop uit.</li> </ol>
Het omlaag brengen van de patiënt in een noodgeval werkt niet.	Er is een vereist minimaal gewicht om de patiënt omlaag te brengen nodig.	Als het gewicht van de patiënt te laag is, trekt u zacht aan de hefarm of stelt u de verlaagsnelheid af.
Batterij kan niet worden opgeladen	<ol style="list-style-type: none"> <li>1. Batterijen zijn niet juist op de besturingskast bevestigd.</li> <li>2. Stroomkabel defect.</li> <li>3. Batterijen zijn defect.</li> <li>4. Besturingskast met ingebouwde oplader of de batterijlader is defect.</li> </ol>	<ol style="list-style-type: none"> <li>1. Controleer of de batterijen op de besturingskast zijn aangesloten.</li> <li>2. Verwissel de stroomkabel.</li> <li>3. Verwissel de batterij.</li> <li>4. Verwissel de besturingskast met ingebouwde oplader of de batterijlader.</li> </ol>



## 7 Technische specificaties



Tabel 2: Technische specificaties

<b>Merk</b>	<b>Vermeiren</b>
<b>Type</b>	<b>Patiëntenlift</b>
<b>Model</b>	<b>Albatros</b>

Omschrijving	Afmetingen in tekening	Afmetingen
Laagste positie COP*	l	1040 mm
Maximale hoogte COP*	k	1739 mm
Tilbereik (hoogtebereik)	m	699 mm
Pootlengte		965 mm
Totale lengte		1046 mm
Minimale afstand poten	r	467 mm
Maximale afstand poten	q	749 mm
Poothoogte / Chassishoogte	n	117 mm
Totale breedte (gesloten), buitenafmeting		584 mm
Totale breedte (geopend), wielen voorwaarts	p	945 mm
Lengte opgevouwen		1030 mm
Hoogte opgevouwen		500 mm
Breedte opgevouwen		584 mm
Min. Afstand tussen muur / COP* (minimum hoogte)	w3	188 mm
Min. Afstand tussen muur / COP* (maximaal bereik)	w2	293 mm
Min. Afstand tussen muur / COP* (grootste hoogte)	w1	762 mm
Draaicirkel		1133 mm
Totaal gewicht		44,85 kg
Gewicht van chassis + motor		34,15 kg
Gewicht van de batterij		2,90 kg
Gewicht van de staanplaats		4,55 kg
Gewicht van de beensteun		2,80 kg
Gewicht van de beensteunbevestiging		0,40 kg
<b>Maximale belasting</b>		<b>150 kg</b>
Vrije hoogte, ten minste		57 mm
Maximaal bereik bij 600 mm met beensteun	a1	100 mm
Maximaal bereik bij 600 mm zonder beensteun	a2	368 mm
Maximaal bereik vanaf drager	b	450 mm
Bereik vanaf drager met afstand van 700 mm	c	375 mm
Spanningsuitgang		24V $\overline{\text{---}}$ max. 250 VA
Voedingsspanning		120-240V $\sim$ max. 37-53 VA
Maximale stroomopname		max. 350 mA
Bedrijfstemperatuur		+5 to +40°C

<b>Merk</b>	<b>Vermeiren</b>
<b>Type</b>	<b>Patiëntenlift</b>
<b>Model</b>	<b>Albatros</b>

<b>Omschrijving</b>	<b>Afmetingen in tekening</b>	<b>Afmetingen</b>
Relatieve luchtvochtigheid		20% tot 80% bij 30°C, niet condenserend
Geluidsdruk		< 50 dB(A)
Luchtdruk		700 tot 1060 hPa
Controlbox		Linak CAL40
Batterij		Linak BAL40
Handbediening		Linak HB3X0L0
Motor		Linak LA34 (7500N)
Beschermingsklasse controle box		IPX4
Batterij beveiligingsklasse		IPX5
Beschermingsklasse handbediening		IPX5
Beschermingsklasse motor		IP54
Isolatieklasse		II - Type B
Arbeidsvermogen		ca. 40 tilacties per lading
Snelheid optillen/neerlaten		28 sec.
Periodiek bedrijf		max. 10%, of 2 min. continuberijf /18 min. pauze
Batterijcapaciteit		2.9 Ah
Noodstopknop		Ja
Handmatige noodneerlating		Ja
Elektrische noodneerlating		Nee
<b>We behouden ons het recht voor om technische wijzigingen te introduceren. Meettolerantie, +/- 15 mm / 1,5kg / 1,5°</b>		

1 = Hoogste positie, 2 = Maximaal bereik, 3 = Laagste positie

\* COP = Centraal ophangingspunt

<b>Inhalt</b>	<b>1</b>
<b>Vorwort</b>	<b>2</b>
<b>1 Ihr Produkt</b>	<b>3</b>
<b>2 Vor der Benutzung</b>	<b>4</b>
2.1 Bestimmungsgemäße Verwendung	4
2.2 Allgemeine Sicherheitshinweise	4
<b>3 Benutzung des Patientenlifters</b>	<b>6</b>
3.1 Bedienung des lifters	6
3.2 Sitzsystem	8
3.3 Batterie und Aufladen	9
3.4 Notfall	10
<b>4 Zusammenbau und Einstellung</b>	<b>12</b>
4.1 Lieferumfang	12
4.2 Montage und Demontage	12
4.3 Austauschen der Batterie	16
<b>5 Wartung</b>	<b>17</b>
5.1 Wartungstermine	17
5.2 Verpackung und Lagerung	17
5.3 Reinigung	18
5.4 Desinfektion	18
5.5 Inspektion	19
5.6 Voraussichtliche Nutzungsdauer	19
5.7 Wiederbenutzung	19
5.8 Nutzungsende	19
<b>6 Störungsbeseitigung</b>	<b>20</b>
<b>7 Technische Daten</b>	<b>21</b>

## Vorwort

Herzlichen Glückwunsch! Sie sind nun Besitzer eines Vermeiren-Patientenlifters!

Dieses Produkt wurde von versierten und engagierten Mitarbeitern gefertigt. Dieses Produkt entspricht hinsichtlich Konstruktion und Fertigung den hohen Qualitätsstandards von Vermeiren.

Vielen Dank für Ihr Vertrauen in Produkte von Vermeiren. Dieses Handbuch soll Ihnen bei der Benutzung dieses Patientenlifters und seiner Bedienmöglichkeiten helfen. Lesen Sie es daher bitte aufmerksam durch, um sich mit der Bedienung, den Fähigkeiten und Beschränkungen Ihres Produkts vertraut zu machen.

Sollten Sie nach der Lektüre dieses Handbuchs noch Fragen haben, können Sie sich jederzeit an Ihren Fachhändler wenden. Er wird Ihnen gerne in dieser Angelegenheit weiterhelfen.

### **Wichtiger Hinweis**

Um Ihre Sicherheit zu gewährleisten und die Nutzungsdauer Ihres Produkts zu verlängern, sollten Sie es gut behandeln und regelmäßig überprüfen und/oder warten lassen.

Dieses Handbuch enthält die neuesten Produktentwicklungen. Vermeiren behält sich das Recht vor, Veränderungen an dieser Art von Produkt vorzunehmen, ohne eine Verpflichtung einzugehen, ähnliche bereits ausgelieferte Produkte anzupassen oder auszutauschen.

Abbildungen des Produkts dienen zur Verdeutlichung der Anweisungen in diesem Handbuch. Das gezeigte Produkt kann in Details von Ihrem Produkt abweichen.

### **Verfügbare Informationen**

Auf unserer Webseite <http://www.vermeiren.com/> finden Sie stets die aktuellste Version der in diesem Handbuch beschriebenen Informationen. Informieren Sie sich bitte regelmäßig auf dieser Website nach eventuell verfügbaren Aktualisierungen.

Sehbehinderte Menschen können sich die elektronische Version dieses Handbuchs herunterladen und mit Hilfe einer Sprachsyntheselösung („Text-to-Speech-Software“) vorlesen lassen.



Dieses Benutzerhandbuch  
Für Benutzer und Fachhändler



Servicehandbuch  
Für Fachhändler



EG-Konformitätserklärung

# 1 Ihr Produkt



1. Knöpfe für Gurtbänder
2. Ausleger
3. Transporthalter für Motor
4. Motor
5. Beinstütze
6. Fahrgestell
7. Fußplatte
8. Laufrolle
9. Transporthalter für Ausleger
10. Batterie
11. Notstopp
12. Kontrollbox
13. Mast
14. Schiebegriff
15. Handbedienung
16. Sicherung Faltung
17. Sicherungsachse
18. Pedal für Fahrgestellspreizung
19. Laufrolle mit Bremse

## 2 Vor der Benutzung

### 2.1 Bestimmungsgemäße Verwendung

Dieser Abschnitt enthält eine kurze Beschreibung der vorgesehenen Benutzung Ihres Patientenlifters. Darüber hinaus enthalten die Anweisungen in den anderen Abschnitten zusätzliche Warnhinweise. Auf diese Weise wollen wir Sie auf die Möglichkeit einer unsachgemäßen Benutzung hinweisen.

- Indikationen und Kontraindikationen: Dieser Patientenlifter ist für die Bedienung durch eine Pflegekraft vorgesehen, um sitzende Patienten z.B. zwischen Rollstühlen, Pflegebetten und Badezimmern zu transferieren. Der Patientenlifter ist als Transport-/Transferhilfe für ältere Personen oder Personen mit Lähmungen, Gliedmaßenverlust oder -defekten, steifen oder beschädigten Gelenken, Herz-Kreislauf-Problemen, Kachexie, ... konzipiert und hergestellt. Bei bestimmungsgemäßem Gebrauch dieses Produkts sind keine Kontraindikationen bekannt.
- Dieser Patientenlifter ist für den Innenbereich geeignet.
- Er ist ausschließlich dafür konzipiert und gefertigt, eine (1) Person mit einem Gewicht mit einem Maximalgewicht von 150 kg. Er ist nicht dafür vorgesehen, Sachen oder Objekte zu transportieren oder zu anderen Zwecken als zuvor beschrieben benutzt zu werden.
- Verwenden Sie ausschließlich von Vermeiren genehmigte Zubehör- oder Ersatzteile.
- Sehen Sie sich auch die technischen Daten und die Einschränkungen Ihres Patientenlifters in Abschnitt 7 an.
- Die Garantie für dieses Produkt beruht auf dessen normaler Benutzung und Wartung wie in diesem Handbuch beschrieben. Schäden an Ihrem Produkt, die auf unsachgemäße Benutzung oder mangelnde Wartung zurückzuführen sind, führen zum Erlöschen der Garantie.

### 2.2 Allgemeine Sicherheitshinweise

 **VORSICHT** Gefahr von Personen- und/oder Sachschäden

Bitte lesen und befolgen Sie die Anweisungen in dieser Bedienungsanleitung, da andernfalls Verletzungsgefahr besteht oder Ihr Patientenlifter beschädigt werden könnte.

Beachten Sie bei der Benutzung die folgenden allgemeinen Warnhinweise:

- Die Nutzung und der Betrieb des Patientenlifters ist nur durch autorisierte Personen durchzuführen, die auf die Nutzung des Lifters geschult worden sind.
- Überschreiten Sie nicht die Höchstlast für den Patientenlifter. Dies führt zur Abschaltung des Steuergeräts.
- Bei unterschiedlichen Benutzergewichten für Patientenlifter und Hebegurte ist immer das niedrigste Benutzergewicht zu beachten.
- Während des Hebevorgangs muss eine Begleitperson anwesend sein.
- Benutzen Sie Ihren Rollstuhl nicht, wenn Sie unter dem Einfluss von Alkohol, Medikamenten oder anderen Substanzen stehen, die Ihre Fahrtüchtigkeit beeinträchtigen könnten.
- Beachten Sie, dass einige Komponenten Ihres Patientenlifters durch Einflüsse wie Umgebungstemperatur, Sonneneinstrahlung oder Heizvorrichtungen sehr heiß oder kalt werden können. Seien Sie daher vorsichtig beim Berühren.
- Ihr Patientenlifter wurde auf elektromagnetische Verträglichkeit geprüft und erfüllt die entsprechende Norm. Dennoch können Quellen elektromagnetischer Felder wie Mobiltelefone, Stromgeneratoren oder Energiequellen mit hoher Leistung die Leistung Ihres Patientenlifters beeinträchtigen. Andererseits kann auch die Elektronik Ihres Patientenlifters Einfluss auf andere elektronische Geräte haben.
- Benutzen Sie den Patientenlifter nur auf ebenen Flächen, so dass sich alle Laufrollen auf dem Boden befinden und ausreichend Kontakt für einen sicheren Betrieb des Patientenlifters haben. Nehmen Sie während des Transfers eines Pflegebedürftigen keine Hindernisse mit dem Patientenlifter.



- Verwenden Sie den Patientenlifter nicht in nassen oder feuchten Umgebungen.
- Ohne vorherige Rücksprache mit dem Hersteller sollten Fixierungspunkte oder Struktur- und Rahmenteile oder -komponenten des Patientenlifters weder verändert noch ersetzt werden.
- Achten Sie während des Betriebs darauf, dass Finger, Kleidung, Gürtel, Schnallen oder Schmuck nicht von den Rädern oder anderen beweglichen Teilen erfasst werden.
- Vorsicht beim Umgang mit Feuer, insbesondere brennenden Zigaretten; die Sitzsysteme könnten sich entzünden.

Sollte sich ein schwerwiegender Zwischenfall mit Ihrem Produkt ereignet haben, benachrichtigen Sie Vermeiren oder Ihren Fachhändler sowie die zuständige Behörde in Ihrem Land.

## 3 Benutzung des Patientenlifters

### 3.1 Bedienung des lifters

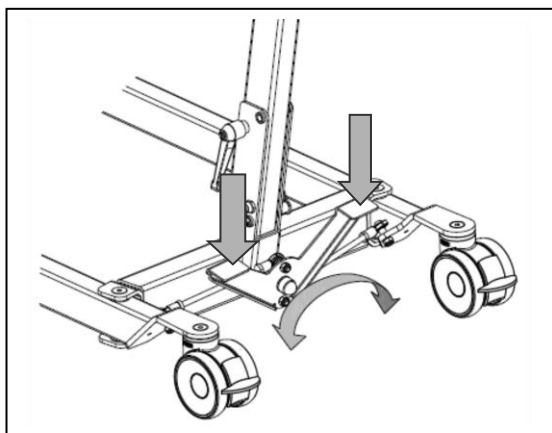

**WARNUNG**

Gefahr von Personen- und/oder Sachschäden

- Achten Sie darauf, dass bei Nutzung des Lifters ausreichend Platz seitlich und oberhalb des Lifters vorhanden ist, da sonst bei Bewegungen der Verstellfunktionen Schäden oder Verletzungen auftreten können.
- Achten Sie stets auf den Ausleger, um Verletzungen zu vermeiden.
- Es sind nur Sitzsysteme zu verwenden, die für den Patientenlifter freigegeben und vorgesehen sind (siehe Gebrauchsanweisung der jeweiligen Sitzsysteme). Die Nutzung anderer Sitzsysteme geschieht auf eigene Gefahr.
- Verwenden Sie nur die Griffe zum Schieben/Ziehen des Patientenlifters, keine anderen Komponenten.

Beachten Sie die technischen Angaben unter denen der Patientenlifter betrieben werden darf. Die Bedienung des Patientenlifters darf nur von autorisierten Personen durchgeführt werden, die auf die Nutzung und den Betrieb geschult worden sind.

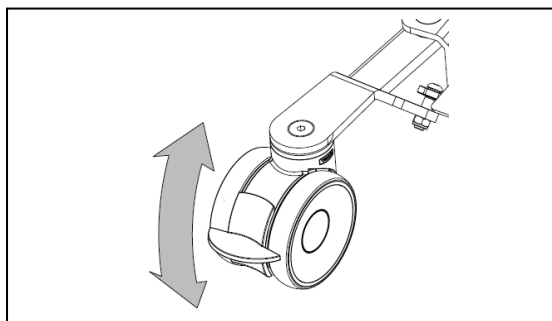
#### 3.1.1 Spreizung Fahrgestell



Um mit dem Lifter einen Rollstuhl oder andere Sitzmöglichkeiten zu umschließen, aber auch um die Standsicherheit des Lifters zu erhöhen, lässt sich der Abstand der Fahrgestellschenkel vergrößern.

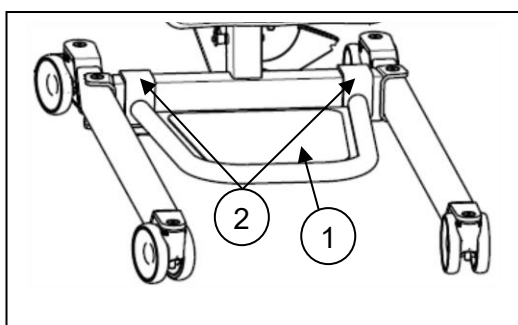
Stellen Sie sich hinter den aufgebauten Lifter und ergreifen Sie die Schiebegriffe des Patientenlifters (links und rechts neben der Kontrollbox). Drücken Sie mit einem Fuß leicht die Wippe am unteren Fahrgestell (links oder rechts) leicht nach unten und der Abstand der Schenkel des Fahrgestells lässt sich vergrößern oder verkleinern.

#### 3.1.2 Feststellbremsen



Sichern Sie die zwei Laufrollen am hinteren Ende des Fahrgestells, indem Sie mit der Fußspitze leicht die Bremspedale der Laufrollen nach unten drücken, bis diese arretieren. Um die Bremse zu lösen, drücken Sie mit der Fußspitze die Bremspedale wieder leicht nach oben, bis die Laufrollen freigegeben werden.

#### 3.1.3 Fußplatte

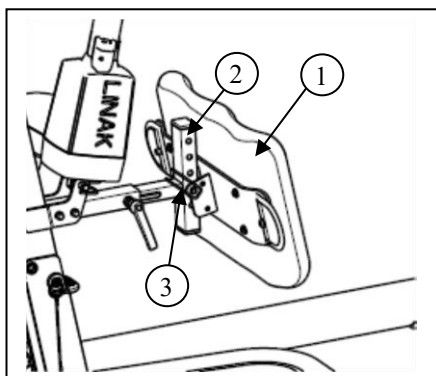


Die Fußplatte ① kann mithilfe der Haken② am Fahrgestell des Patientenlifters befestigt bzw. von diesem entfernt werden.

### 3.1.4 Beinstütze

**WARNUNG** Verletzungsgefahr

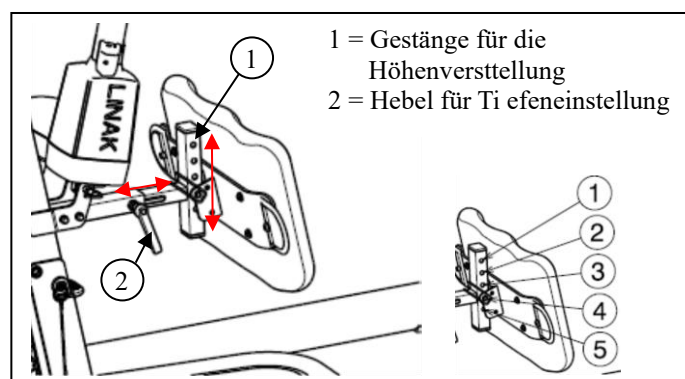
- Lassen Sie die Beinstütze nicht auf den Patienten fallen, wenn Sie sie verstellen.



Die Beinstütze ① kann an der Stange des Patientenlifters ② mit einer Sicherheitsachse ③ befestigt werden.

Die Beinstütze soll die Beine der Patienten in der korrekten Position halten und die Beine des Patienten beim Aufstehen abstützen.

Die Beinstützen können in der Tiefe geändert und fünf verschiedene Höheneinstellungen vorgenommen werden.



Höhe von der Fußplatte zur Oberseite der Beinstütze	Position
520 mm	Bohrung 1
495 mm	Bohrung 2
470 mm	Bohrung 3
445 mm	Bohrung 4
420 mm	Bohrung 5

### 3.1.5 Ausleger anheben / absenken

Über die Handbedienung lässt sich der Ausleger stufenlos verstellen.

- ① = Ausleger anheben
- ② = Ausleger absenken

Bei Nutzung der Hubfunktion bis an den Endanschlag des Hubmotors wird die Endabschaltung der Elektronik aktiviert (Sicherheitsfunktion). Nutzen Sie daher die Hubfunktion nur im mittlerem Vertsellbereich.



### 3.1.6 Bewegen des Patientenlifters

**WARNUNG** Verletzungsgefahr

- Seien Sie in engen Durchgängen vorsichtig (z. B. Türen).
  - Stellen Sie sich hinter den Patientenlifter und ergreifen Sie die Griffe (links und rechts neben der Kontrollbox) mit beiden Händen.
  - Stellen Sie sicher, dass beide Bremsen der hinteren Laufrollen gelöst sind.
  - Schieben Sie den Patientenlifter langsam in die gewünschte Position.

In unbelastetem Zustand empfehlen wir, dass Sie den Patientenlifter rückwärts fahren, damit Hindernisse (wie z.B. Türzargen, Zimmerecken oder Möbelstücke) leichter umfahren werden können.

### 3.1.7 Drehen des Lifters auf der Stelle



WARNUNG

Verletzungsgefahr

- Achten Sie darauf, dass keine Personen oder Gegenstände im Schwenkbereich des Lifters sind.
  - Drehen Sie den Patientenlift vorsichtig und langsam auf der Stelle, damit den Patienten nicht ins Schwingen gerät.
1. Spreizen Sie die Fahrbeine des Lifters für mehr Stabilität.
  2. Aktivieren Sie die Bremsen.
  3. Benutzen Sie nur ein für den Patienten geeignetes Liftertuch (befolgen Sie die Hinweise zur Platzierung des Patienten in Liftertüchern in der Gebrauchsanweisung für Liftertücher).
  4. Heben des Patienten vom Boden, Stuhl, Bett, ... .
  5. Lösen Sie beide Bremsen der hinteren Laufrollen.
  6. Stellen Sie sich hinter den Patientenlifter und ergreifen Sie die Griffe (links und rechts neben der Kontrollbox) mit beiden Händen.
  7. Nun drehen Sie den Patientenlift vorsichtig und langsam auf der Stelle. Achten Sie darauf, dass Sie mit den Fahrbeinen gegen keine Gegenstände stoßen.
  8. Haben Sie die gewünschte Position erreicht, können Sie den Patienten im Lift herablassen.

### 3.2 Sitzsystem



WARNUNG

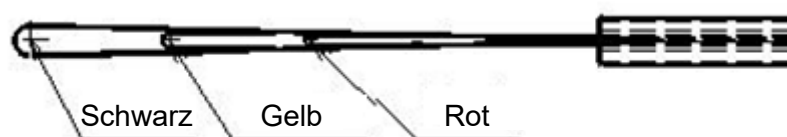
Verletzungsgefahr

- Verwenden Sie nur für den Patienten geeignete Sitzsysteme.
- Verwenden Sie keine beschädigten Sitzsysteme.
- Lesen Sie zuerst das vollständige Handbuch für Hebegurte.
- Verwenden Sie nur kompatible, von Vermeiren zugelassene Hebegurte.

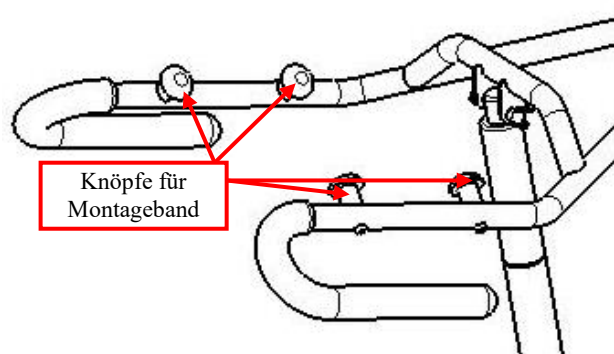
#### 3.2.1 Anbringen an den Knöpfen am Patientenlift

Die Patientensitzsysteme werden mithilfe der montageband befestigt. Die Montageband werden in den Knöpfe am Patientenlift eingehängt.

Die Montageband der Patientensitzsysteme verfügen über 3 Schlaufen in verschiedenen Farben.



Montageband Patientensitzsysteme



Knöpfe des Patientenliftsystems "Albatros"

Mit den drei unterschiedlichen Schlaufen kann der Patient in verschiedene Positionen gehoben werden.

Farbe	Beschreibung
Rot	Große Patienten, die Hände des Patienten erreichen die Griffarme des Patientenlifters, so dass der Patient aktiv beim Aufstehen helfen kann.
Gelb	Kombination
Schwarz	Kleine Patienten: Der Patient ist in Relation zur Höhe der Knöpfe relativ klein.

### 3.3 Batterie und Aufladen

#### 3.3.1 Batterie



Die Batterie befindet sich oberhalb der Kontrollbox und kann mit einem integrierten Clipseystem ausgetauscht werden.

Primäre Spannung	24 V DC
Umgebungstemperatur	+5°C bis +40°C
Umgebungstemperatur Lagerung	-10°C bis +40°C
Relative Luftfeuchtigkeit Lagerung	max. 80 % (nicht kondensierend)
Konformität	geprüft nach IEC 60601-1

#### 3.3.2 Kontrollbox inkl. Batterieladegerät



Die Kontrollbox ist mit einem roten Notstopp-Knopf und einem internen Batterieladegerät ausgestattet.

Primäre Spannung	100 - 240 V AC / 50/60 Hz
Sekundäre Spannung (Ladespannung)	24 V DC, max. 250 VA
Sekundärer Strom (Ladestrom)	max. 10 A
Schutzvorrichtungen	verpolsicher, überspannungs- und temperaturgesichert
Umgebungstemperatur	+5°C bis +40°C
Umgebungstemperatur Lagerung	-10°C bis +40°C
Relative Luftfeuchtigkeit für Lagerung	max. 80 % (nicht kondensierend)
Konformität	geprüft nach IEC 60601-1

Technische Änderungen vorbehalten.

#### 3.3.3 Externes Ladegerät (OPTIONAL)



Das externe Ladegerät sollte an der Wand befestigt werden. Die Ersatzbatterie (optional) kann mit diesem externen Ladegerät aufgeladen werden, sodass beim Wechseln der Batterien keine Wartezeiten für die Verwendung des Patientenlifters auftreten.

Primäre Spannung	100 - 240 V AC / 50/60 Hz
Ladestrom	max. 650 mA
Umgebungstemperatur	+5°C bis +40°C
Umgebungstemperatur Lagerung	-10°C bis +40°C
Relative Luftfeuchtigkeit für Lagerung	max. 80 % (nicht kondensierend)

### 3.3.4 Laden der Batterien

Verwenden Sie für den Albatros nur die Kontrollbox mit integriertem Batterieladegerät oder das an der Wand zu befestigende externe Ladegerät.

Wir empfehlen Ihnen, die eingebauten Batterien der Kontrollbox regelmäßig zu beladen, um die Einsatzfähigkeit des Lifters zu gewährleisten und die Lebensdauer der Batterien lange aufrecht zu halten. Die Kontrollbox weist mit einem Warnton darauf hin, dass der Ladezustand der Batterie niedrig ist.

#### **Inbetriebnahme**

Stecken Sie zuerst das Ladekabel in den dafür vorgesehenen Anschluss der Kontrollbox. Danach stecken Sie das Netzteil in die Steckdose. Die Ladezeit beträgt ca. 24 Stunden.

#### **Erneutes aufladen**

**⚠️ WARNUNG: Verletzungsgefahr – Der Lifter darf nicht verwendet werden, wenn das Ladekabel mit der Steckdose verbunden ist.**

Wenn die Batterie fast leer ist, blinkt die Hälfte der grünen LED und ein einzelner Piepton ist zu hören, wenn der Lifter aktiviert wird.

Wenn die LED blinkt und ein kontinuierlicher Piepton zu hören ist, hat die Batterie nur noch zwei Zyklen.



Wenn die Batterien aufgeladen werden, leuchtet die Hälfte der LED grün. Der Akku ist vollständig geladen, wenn die LED vollständig grün leuchtet.

Ziehen Sie nach Beendigung des Ladevorgangs immer zuerst den Netzstecker aus der Steckdose und erst dann den Anschlussstecker aus der Kontrollbox.

Keine Nutzung des Lifters während des Ladebetriebs.

Wenn die Batterien längere Zeit nicht genutzt werden, entladen sich diese langsam selbstständig (Tiefentladung). Ein Aufladen mit dem mitgelieferten Ladegerät ist dann nicht mehr möglich. Laden Sie auch bei Nichtbenutzung der Batterien diese mindestens einmal im Monat auf.

## 3.4 Notfall

In Notfallsituationen muss der Notstopp und die Notabsenkungsfunktion verwendet werden.

### 3.4.1 Not-stopp



Bei Notfällen und während der Montage und Demontage muss der Notstopp durch Drücken des roten Knopfs an der Kontrollbox aktiviert werden.

Drücken Sie auf den Knopf und drehen Sie ihn in Richtung der Pfeile. Wenn der Knopf ganz nach hinten gedrückt ist, drehen Sie ihn in die entgegengesetzte Richtung der Pfeile zurück.

Der Notstopp wird deaktiviert, indem der rote Knopf in Pfeilrichtung gedreht wird.

### 3.4.2 Manuelle Notabsenkung

**⚠️ WARNUNG: Verletzungsgefahr - Passen Sie die manuelle Notabsenkung an das Körpergewicht des Patienten an.**

Die Notabsenkung kann bei Stromausfall oder entleerter Batterie über den roten Drucktaster ① am unteren Ende des Motors betätigt werden. Werkseitig ist diese Notabsenkung auf ein Patientengewicht von 75 kg eingestellt.

Standardkalibrierung: 3000N, 16 mm/s zum Absenken des Patienten.

Beachten Sie, dass die manuelle Notabsenkung nur möglich ist, wenn der Patient im Patientenlifter sitzt.





## 4 Zusammenbau und Einstellung

Der Patientenlifter wird komplett montiert von Ihrem Fachhändler geliefert.

**Die Anweisungen in diesem Kapitel richten sich an den Fachhändler.**

Wenden Sie sich an die nächste Vermeiren-Vertretung, um eine Serviceeinrichtung oder einen Fachhändler in Ihrer Nähe zu finden.

**⚠ WARNUNG: Gefahr nicht sicherer Einstellungen – Verwenden Sie nur die in dieser Anleitung beschriebenen Einstellungen.**

### 4.1 Lieferumfang

Der Lieferumfang des Vermeiren Albatros Patientenlifters umfasst:

- Fahrgestell mit vier Laufrollen (davon zwei bremsbar)
- Mast mit Schiebegriffen
- Ausleger mit Befestigung für Gurt
- Kontrollbox (inkl. Batterieladegerät)
- Batterie
- Handbedienung
- Motor
- Gebrauchsanweisung
- Fußplatte
- Beinstütze

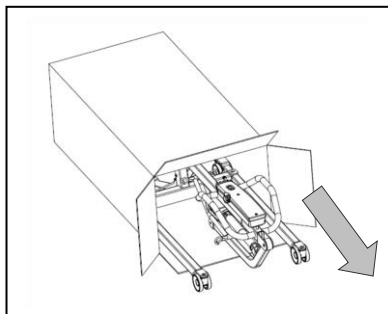
Prüfen Sie vor der Verwendung, ob alle aufgeführten Artikel in der Lieferung enthalten und nicht beschädigt sind (beispielsweise durch den Transport).

### 4.2 Montage und Demontage

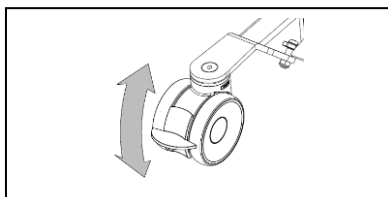
#### 4.2.1 Auspacken

**⚠ WARNUNG: Verletzungsgefahr - Kontrollieren Sie vor dem Auspacken und der Montage immer zuerst, dass der Not-stop (roter Druckknopf an der Kontrollbox) eingedrückt ist.**

Die Verpackung der Patientenlifter wurde daraufhin gewählt, um einen optimalen Schutz während des Transportes zu gewährleisten.



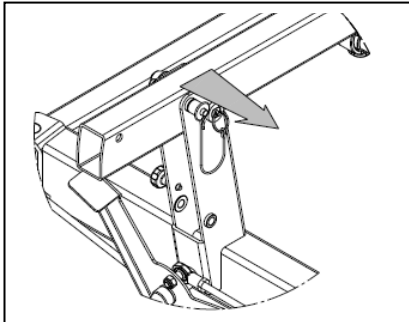
1. Ziehen Sie den Patientenlifter aus dem Karton und überprüfen Sie die Vollständigkeit der Lieferung und ob einzelne Teile sichtbare Mängel aufweisen. Bei Beschädigungen wenden Sie sich bitte an Ihre Vertriebsniederlassung.



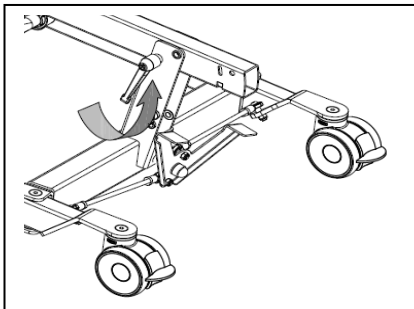
2. Sichern Sie vor dem Aufbau den Lifter vor ungewollten Bewegungen, indem Sie alle Bremsrollen betätigen. Drücken Sie mit der Fußspitze leicht die Bremsplatte der Laufrollen nach unten, bis diese arretieren. Um die Bremse zu lösen, drücken Sie mit der Fußspitze die Bremspedale wieder leicht nach oben, bis die Laufrollen freigegeben sind.

## 4.2.2 Montage

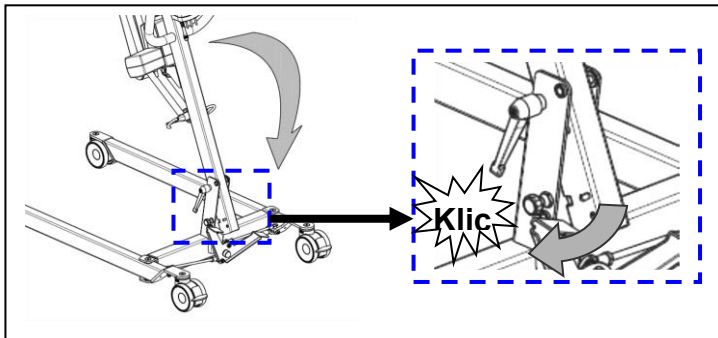
**⚠ WARNUNG: Klemmgefahr - Achten Sie bei der Montage darauf, dass Sie sich nicht verletzen und keine Drähte eingeklemmt, gequetscht oder durchtrennt werden.**



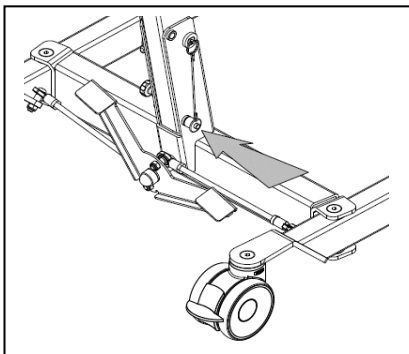
1. Entfernen Sie die Sicherungsachse (Steckachse) am unteren Ende des Mastes, indem Sie leicht den Druckknopf am Kopf der Achse eindrücken. Die Sicherungsachse lässt sich nun leicht herausziehen.



2. Lösen Sie die Transportsicherung (Knebelschraube) leicht und der Mast kann nun aufgerichtet werden.

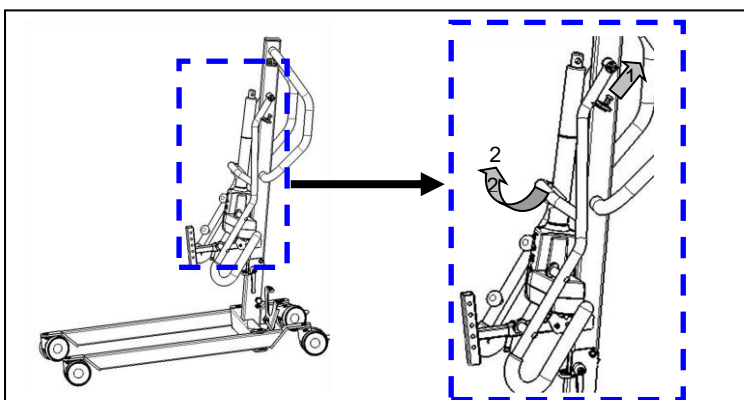


2.a Die Standsicherung (Zugschraube) rastet hörbar ein, wenn der Mast in seiner Endposition aufgestellt wurde.



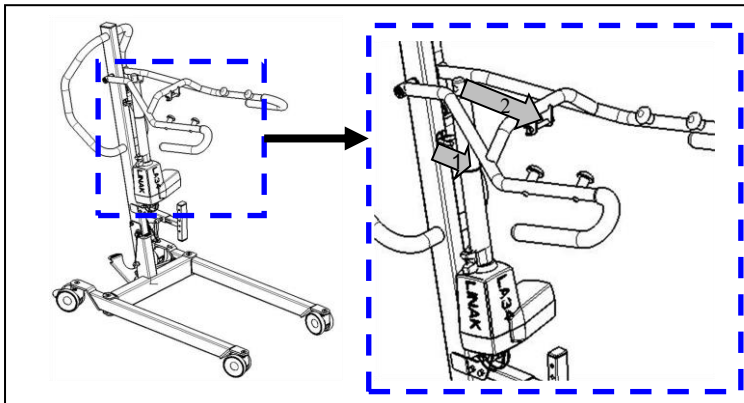
3. **⚠ WARNUNG: Verletzungsgefahr– Achten Sie darauf, dass die Sicherungsachse korrekt eingesteckt ist.**

Sichern Sie den Mast, indem Sie die Sicherungsachse am Ende des Mastes mit eingedrücktem Druckknopf soweit durchschieben, dass diese am anderen Ende sichtbar herausragt. Lassen Sie den Druckknopf der Sicherungsachse los und prüfen Sie, ob sich diese wieder herausziehen lässt.



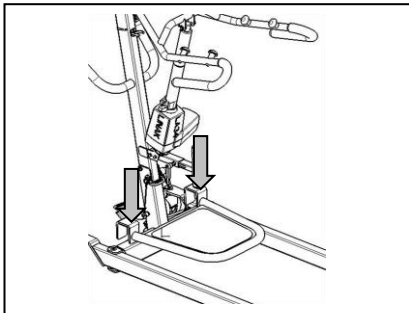
4. Entfernen Sie den Ausleger vom oberen Ende des Mastes (2). Dazu ziehen Sie an dem Stift (1).

DE

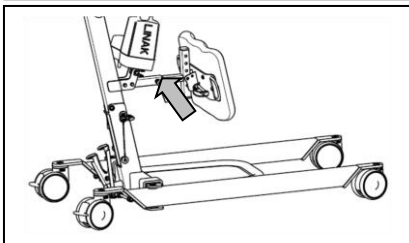


5. Entfernen Sie den Verstellmotor, indem Sie ihn vorsichtig aus dem schwarzen Clip (1) herausziehen.

6. Befestigen Sie den Verstellmotor am Ausleger mit der Steckachse. Achten Sie darauf, dass der Verstellmotor optimal zwischen dem Ausleger positioniert ist.



7. Befestigen Sie die Fußplatte mit den Haken am Fahrgestell des Patientenlifters.

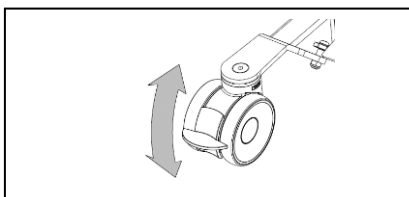


8. Befestigen Sie die Beinstütze mit der Steckachse. Positionieren Sie die Beinstütze in der gewünschten Höhe und Tiefe.

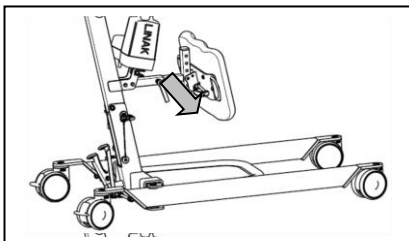
#### 4.2.3 Demontage

**⚠️ WARNUNG: Klemmgefahr - Achten Sie bei der Demontage darauf, dass Sie sich nicht verletzen und keine Drähte eingeklemmt, gequetscht oder durchtrennt werden.**

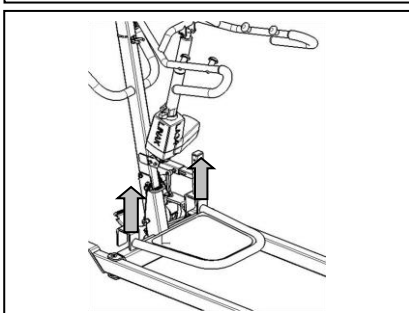
**⚠️ WARNUNG: Verletzungsgefahr - Stellen Sie sicher, dass der Not-stop (roter Druckknopf an der Kontrollbox) aktiviert ist, um unbeabsichtigte Verstellbewegungen zu vermeiden.**



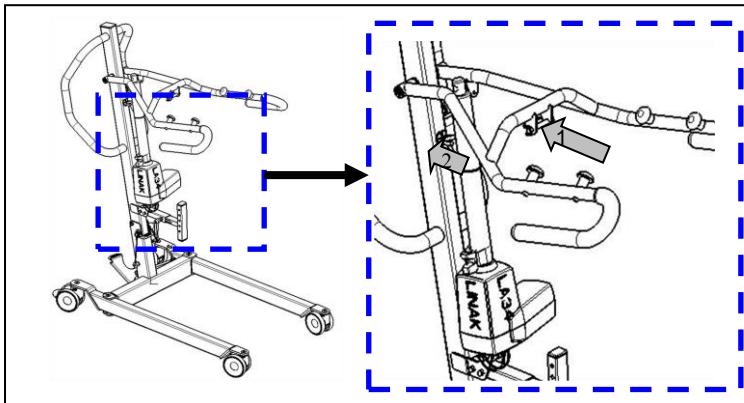
1. Sichern Sie die zwei Laufrollen am hinteren Ende des Fahrgestells, indem Sie mit der Fußspitze leicht die Bremspedale der Laufrollen nach unten drücken, bis diese arretieren. Um die Bremse zu lösen, drücken Sie mit der Fußspitze die Bremspedale wieder leicht nach oben, bis die Laufrollen freigegeben werden.



2. Entfernen Sie die Beinstütze, indem Sie die Steckachse entfernen.

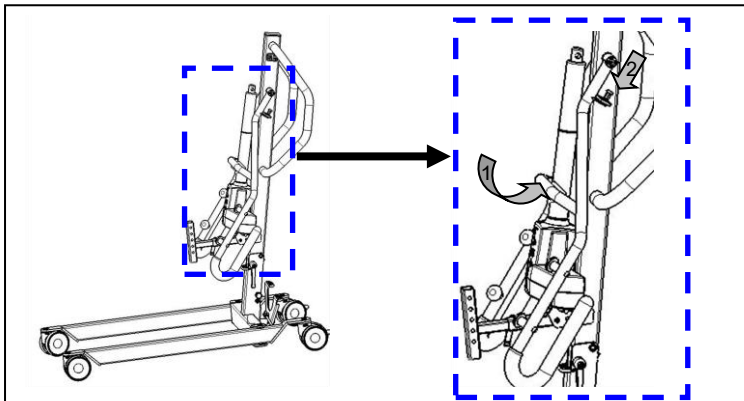


3. Entfernen Sie die Fußplatte vom Fahrgestell des Patientenlifters.

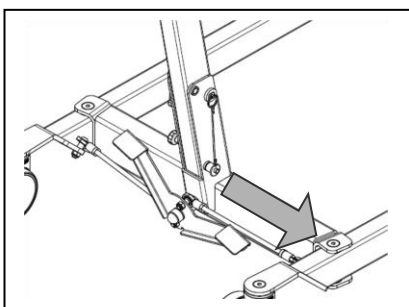


4. Bauen Sie den Verstellmotor aus dem Ausleger aus, indem Sie die Steckachse (1) entfernen.

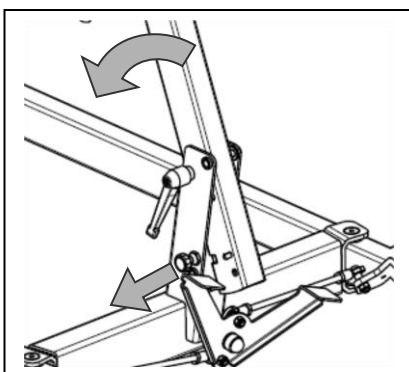
5. Bewegen Sie den Verstellmotor in die untere Position, und platzieren Sie den Verstellmotor im schwarzen Clip (2).



6. Bewegen Sie den Ausleger in die untere Position (1). Sichern Sie den Stift an der Oberseite des Mastes in der Bohrung des Auslegers (2).



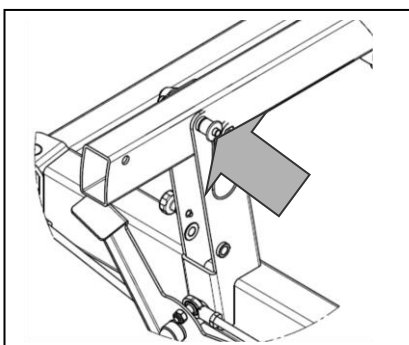
7. Entfernen Sie die Sicherungsachse (Steckachse) am unteren Ende des Mastes, indem Sie leicht den Druckknopf am Kopf der Achse eindrücken. Die Sicherungsachse lässt sich nun leicht herausziehen.



8. **⚠️ WARNUNG: Verletzungsgefahr - Bei entriegeltem Mast können aufgrund des Eigengewichtes des Mastes starke Fallkräfte auftreten.**

Ziehen Sie die Standsicherung (Zugschraube) bis der Mast für das Abkippen freigegeben wird. Der Mast lässt sich nun nach vorne abkippen.

Kippen Sie den Mast so weit wie möglich nach vorne.



9. **⚠️ WARNUNG: Verletzungsgefahr – Achten Sie darauf, dass die Sicherungsachse**

Sichern Sie den Mast, indem Sie die Sicherungsachse am Ende des Mastes mit eingedrücktem Druckknopf soweit durchschieben, dass diese am anderen Ende sichtbar herauszeigt. Lassen Sie den Druckknopf der Sicherungsachse los und prüfen Sie, ob sich diese wieder herausziehen lässt.

### 4.3 Austauschen der Batterie

**DE**

- Für Schäden durch Verwendung von Fremdbatterien übernehmen wir keine Haftung.
- Verwenden Sie die Batterie nicht bei Temperaturen unter +5 °C oder über +50 °C (ideal: +20 °C).
- Wird die Batterie geöffnet, entfallen jegliche Haftung des Herstellers und der Gewährleistungsanspruch.

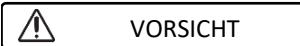


Die Batterie für Patientenlifter kann mithilfe eines integrierten Clipsystems ausgetauscht werden.

Ziehen Sie zum Austauschen der Batterie am integrierten Clipsystem. Dadurch wird die Abdeckung angehoben, und die Batterie kann aus der Halterung (Kontrollbox) entnommen werden.

## 5 Wartung

### 5.1 Wartungstermine



Gefahr von Personen- oder Sachschäden

Reparaturen und Erneuerungen dürfen nur von geschultem Personal und mit Original-Ersatzteilen von Vermeiren durchgeführt werden.

- i** Auf der letzten Seite dieses Handbuchs befindet sich ein Registrierungsformular, auf dem der Fachhändler jeden Service dokumentieren kann.

Die Wartungshäufigkeit hängt von der Häufigkeit und Intensität der Nutzung ab. Wenden Sie sich an Ihren Händler, um einen allgemeinen Zeitplan für Inspektion/Wartung/Reparatur zu vereinbaren.

Bezüglich des Wartungshandbuchs besuchen Sie die Vermeiren-Website: [www.vermeiren.com](http://www.vermeiren.com).

#### *Vor jeder Benutzung*

Kontrollieren Sie folgende Punkte:

- Alle Teile: vorhanden und nicht beschädigt oder verschlissen.
- Alle Teile: sauber (siehe Abschnitt 5.3)
- Zustand der Rahmenteile: keine Deformation, Instabilität, Schwachstelle oder lose Verbindungen
- Bremsen: keine sichtbaren Schäden und/oder Verschmutzungen.
- Schaltkasten, Handbedienung, Batterieladegerät, relevante Kabel: keine Schäden wie ausgefrante, gebrochene oder freiliegende Drähte. Prüfen Sie, ob die elektrische Verstellung des Kragarms über die Handbedienung einwandfrei funktioniert.
- Akkustatus: laden Sie den Akku ggf. auf (siehe Abschnitt 3.3)

#### *Ca. Alle 8 Wochen*

Abhängig von der Gebrauchshäufigkeit überprüfen folgendes:

- Fettung der Gelenkverbindungen am Ausleger
- Zustand der Laufrollen
- Sind Gehäuseschäden an der Kontrollbox, Batterie, Ladegerät (sofern vorhanden) und der Handbedienung sichtbar?
- Zustand der Kabelverkehrssicher?
- Laden Sie die Batterie auf.

#### *Ca. Alle 6 Monate oder für jeden neuen Benutzer*

Abhängig von der Gebrauchshäufigkeit überprüfen Sie bitte folgende Dinge:

- Sauberkeit
- Allgemeinzustand
- Funktion der Laufrollen

Bei zu großem Rollwiderstand sind die Laufrollen zu säubern. Wenn dies nicht ausreicht, wenden Sie sich bitte an Ihren Fachhändler.

#### *Jährlich oder häufiger*

Lassen Sie den Patientenlifter mindestens einmal pro Jahr oder häufiger von Ihrem Fachhändler inspizieren und warten. Die minimale Wartungshäufigkeit ist von der Benutzung abhängig und sollte daher zusammen mit Ihrem Fachhändler abgesprochen werden.

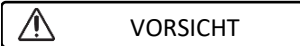
### 5.2 Verpackung und Lagerung

- Versand und Aufbewahrung des Patientenlifters sollten gemäß den technischen Spezifikationen in §7 erfolgen. Achten Sie darauf, dass der Patientenlifter an einem trockenen Ort aufbewahrt wird.
- Verkabelungen auf Quetsch- und Knicksicherheit prüfen.



- Trennen Sie den Patientenlifter von der Steckdose.
- Achten Sie darauf, den Patientenlifter ausreichend abzudecken oder zu verpacken, um ihn vor Rost und Fremdkörpern zu schützen (z. B. Salzwasser, Seeluft, Sand, Staub).
- Alle abgebauten Teile zusammen an einem Ort lagern (ggf. kennzeichnen), damit bei Wiederaufbau keine Verwechslung mit anderen Produkten auftreten kann (z. B. der Ladegerät).
- Achten Sie beim Aufbewahren des Patientenlifters darauf, dass keine anderen Gegenstände auf dem Patientenlifter und seinen Komponenten abgelegt oder daran gelehnt werden, um Schäden zu vermeiden.

### 5.3 Reinigung



Beschädigungsgefahr durch Feuchtigkeit

- Benutzen Sie keinesfalls einen Wasserschlauch oder Hochdruckreiniger.
- Bei hartnäckiger Verschmutzung können die Bezüge mit einem milden handelsüblichen Reinigungsmittel gereinigt werden.
- Flecken können mit einem Schwamm oder mit einer weichen Bürste entfernt werden.
- Verwenden Sie keine aggressiven Reinigungsmittel, z. B. Lösungsmittel, oder harte Bürsten.

#### 5.3.1 Kunststoffteile

Reinigen Sie alle Kunststoffteile Ihres Patientenlifters mit einem handelsüblichen Kunststoffreiniger. Lesen Sie die spezifischen Produktinformationen und verwenden Sie nur eine weiche Bürste oder einen weichen Schwamm.

#### 5.3.2 Lackierung

Der Patientenlifter besteht aus Stahlkomponenten. Durch die hochwertige Lackierung wird ein optimaler Korrosionsschutz gewährleistet. Falls die Lackierung durch Kratzer oder ähnliches beschädigt wird, sollten Sie einen Fachhändler aufsuchen, um die betroffene Oberfläche instand setzen zu lassen.

Verwenden Sie zur Reinigung der Lackierung nur warmes Wasser und handelsübliche Haushaltsreiniger mit einer weichen Bürste und ein Tuch. Achten Sie darauf, dass kein Wasser in die Rohre eintritt.

#### 5.3.3 Elektronikgehäuse

**⚠️ WARNUNG: Verletzungsgefahr – Vor Wartungsarbeiten ist der Not-Stopp zu betätigen, da sonst ungewollte Verstellbewegungen auftreten können.**

Die Kontrollbox, Motorgehäuse und Handbedienung sollten Sie nur mit einem angefeuchteten Tuch wischen, auf das ein wenig handelsüblicher Haushaltsreiniger gegeben werden kann. Verwenden Sie keine Scheuermittel oder scharfkantige Putzutensilien (Metallschwamm, Bürste etc.), da diese die Oberfläche der Bedieneinheit verkratzen und den Spritzwasserschutz aufheben können.

Überprüfen Sie regelmäßig, ob die Steckverbindungen korrodiert oder beschädigt sind, da die Funktionstauglichkeit der Elektronik beeinflusst werden kann.

Für Schäden durch mangelnde Pflege, haftet der Hersteller nicht.

### 5.4 Desinfektion

Alle Teile des Patientenlifters können mit einem handelsüblichen Desinfektionsmittel abgerieben werden. Befolgen Sie die Anweisungen auf dem Desinfektionsmittel.

Waschanweisungen für Hebegurte finden Sie im Handbuch für Hebegurte und auf dem Etikett jedes Hebegurts.



## 5.5 Inspektion

Grundsätzlich empfehlen wir jährliche Inspektionen, mindestens jedoch vor jedem Wiedereinsatz. Die folgenden Prüfungen müssen von autorisierten Personen durchgeführt und dokumentiert werden:

- Überprüfen Sie die Verkabelung (besonders zu achten ist auf Quetschungen, Abrieb, Schnitte, sichtbare Teile der Isolierung der inneren Drähte, sichtbare Metalldrahtkerne, Knicke, Ausbeulungen, Farbveränderungen der äußeren Hülle, spröde Stellen und auf die sichere Verlegung, sodass mechanische Effekte wie Schnitte oder Quetschungen unwahrscheinlich sind.)
- Sichtprüfung der Rahmenteile auf plastische Verformung und/oder Verschleiß (Rahmen, Motoraufhängung, Ausleger, Spreizbügel)
- Sichtprüfung der Lackierung auf Schäden (Korrosionsgefahr).
- Sichtprüfung aller Gehäuse auf Schäden; Schrauben müssen festgezogen sein.
- Prüfung der Menge des Schmiermittels bei metallisch geführten beweglichen Teilen.
- Sichtprüfung aller Kunststoffteile auf Risse und spröde Stellen.
- Messprüfung des Ersatzableitstroms der Kontrollbox (einschließlich Ladegerät) A) nach VDE 0702.
- Messprüfung des Isolationswiderstands der Kontrollbox (einschließlich Ladegerät) A) nach VDE 0702.
- Funktionsprüfung des Auslegers (Fettung an Gelenkteilen, Verstellbereich, Verformung, Abnutzung und Beschädigung).
- Funktionsprüfung der Antriebe des Lifters (Prüfungen durchführen während einer Testfahrt → Geräusche, Geschwindigkeit, Leichtlauf, usw.) Falls erforderlich: Messen der Leistungsaufnahme zuerst ohne Last, dann mit der Nennlast (SWL), um evtl. Verschleiß der Motoren über die Stromaufnahme ermitteln zu können und Vergleich mit den Werten bei Auslieferung.
- Funktionsprüfung von Notstopp.
- Funktionsprüfung von Notabsenkung.
- Vollständigkeit des Auslieferungszustands, Gebrauchsanweisung vorhanden?

Messprüfungen dürfen nur von Personen durchgeführt werden, die mindestens auf den Lifter geschult worden sind und mindestens durch eine Elektrofachkraft auf die zu verwendenden Prüfmittel und Prüfverfahren eingewiesen worden sind. Die Freigabe zum Einsatz des Patientenlifters nach erfolgten Messprüfungen oder Wartungsmaßnahmen unterliegt lediglich einer Elektrofachkraft.

Lassen Sie sich den Wartungsdienst nur dann im Wartungsplan unterzeichnen, wenn mindestens die oben genannten Punkte überprüft wurden.

## 5.6 Voraussichtliche Nutzungsdauer

Die durchschnittliche Nutzungsdauer Ihres Patientenlifters beträgt 8 Jahre. Je nach Nutzungshäufigkeit, Lagerung, Wartung, Pflege und Reinigung kann die Nutzungsdauer Ihres Patientenlifters länger oder kürzer sein.

## 5.7 Wiederbenutzung

Lassen Sie den Patientenlifter vor der Wiederbenutzung durch eine andere Person desinfizieren, inspizieren und entsprechend den Anweisungen in diesem Kapitel warten.

## 5.8 Nutzungsende

Am Ende seiner Nutzungsdauer muss Ihr Patientenlifter gemäß den geltenden Umweltvorschriften entsorgt werden. Dazu wird er im besten Fall zerlegt, um den Transport wiederverwertbarer Teile zu erleichtern.

## 6 Störungsbeseitigung

Tabelle 1: Störungsbeseitigung

Störung	Ursache der Störung	Beseitigung der Störung
Lautes Geräusch von den beweglichen Teilen (Beispiel: Ausleger)	Eine Fettung ist erforderlich.	Fetten Sie die beweglichen Teile. <b>(Fetten Sie nicht den Verstellmotor!)</b>
Verstellmotor erzeugt ein ungewöhnliches Geräusch.	Der Verstellmotor ist beschädigt.	Tauschen Sie den Verstellmotor aus oder wenden Sie sich an Ihren Fachhändler.
Patientenlifter kann nicht mehr angehoben werden.	<ol style="list-style-type: none"> <li>1. Der elektrische Verstellmotor ist beschädigt.</li> <li>2. Das Gewicht des Patienten ist zu hoch (Systemstatus-LED blinkt, zwei Pieptöne sind zu hören).</li> <li>3. Die Handbedienung bzw. der Verstellmotor ist nicht angeschlossen.</li> <li>4. Die Batterie ist nicht bzw. nicht einwandfrei mit der Kontrollbox verbunden.</li> <li>5. Der Batteriestand ist zu niedrig.</li> <li>6. Der Notstopp ist aktiviert (Systemstatus-LED leuchtet).</li> </ol>	<ol style="list-style-type: none"> <li>1. Tauschen Sie den Verstellmotor aus.</li> <li>2. Verwenden Sie einen Patientenlifter mit einem höheren maximal zulässigen Patientengewicht.</li> <li>3. Überprüfen Sie die Anschlüsse. Schließen Sie gegebenenfalls die Handbedienung bzw. den Verstellmotor an.</li> <li>4. Prüfen Sie, ob die Batterie eingesetzt ist bzw. ob die Batterie angeschlossen ist.</li> <li>5. Laden Sie die Batterien auf bzw. tauschen Sie sie aus.</li> <li>6. Deaktivieren Sie den Notstopp.</li> </ol>
Das Absenken des Patienten in Notfallsituationen funktioniert nicht.	Es besteht ein Mindestgewichtsbelastung, um den Patienten absenken zu können.	Falls das Gewicht des Patienten zu gering ist, ziehen Sie leicht am Ausleger oder passen Sie die Absenkgeschwindigkeit an.
Batterien können nicht aufgeladen werden.	<ol style="list-style-type: none"> <li>1. Die Batterien sind nicht korrekt in der Kontrollbox eingesetzt.</li> <li>2. Das Netzkabel ist defekt.</li> <li>3. Die Batterien sind defekt.</li> <li>4. Die Kontrollbox mit integriertem Ladegerät oder Ladegerät ist defekt.</li> </ol>	<ol style="list-style-type: none"> <li>1. Prüfen Sie, ob die Batterien mit der Kontrollbox verbunden sind.</li> <li>2. Tauschen Sie das Netzkabel aus.</li> <li>3. Tauschen Sie die Batterie aus.</li> <li>4. Tauschen Sie die Kontrollbox mit integriertem Ladegerät oder Ladegerät aus.</li> </ol>

## 7 Technische Daten

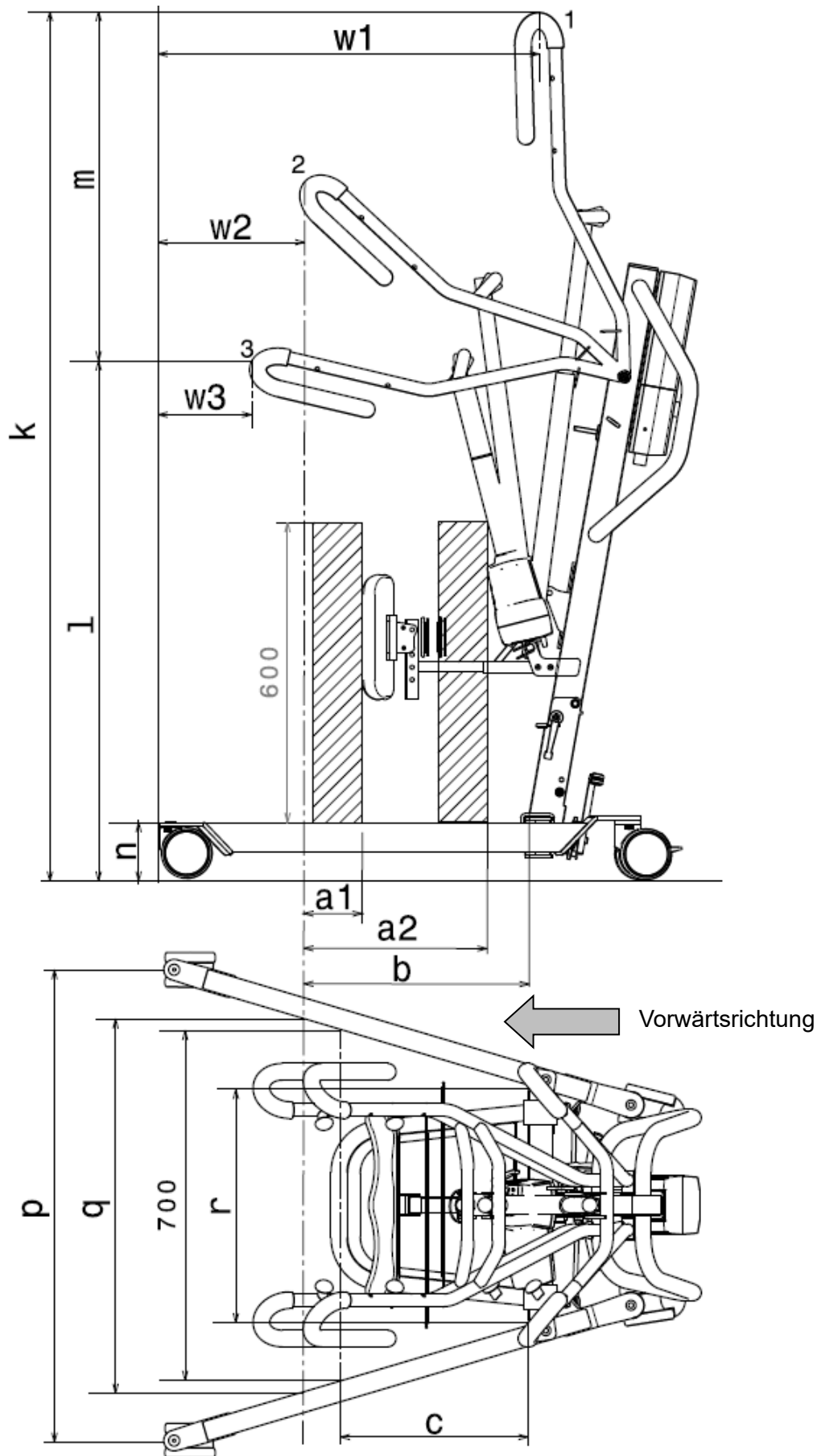


Tabelle 1: Technische Daten

<b>Produktname</b>	<b>Vermeiren</b>
<b>Typ</b>	<b>Patientenlifter</b>
<b>Modell</b>	<b>Albatros</b>

<b>Beschreibung</b>	<b>Maße in Zeichnung</b>	<b>Abmessungen</b>
Tiefste Position ZAP*	l	1040 mm
Maximale Höhe ZAP*	k	1739 mm
Hebebereich (Höhenreichweite)	m	699 mm
Schenkellänge		965 mm
Gesamtlänge		1046 mm
Mindestabstand Schenkel	r	467 mm
Maximaler Abstand Schenkel	q	749 mm
Schenkelhöhe / Höhe des Fahrgestells	n	117 mm
Gesamtbreite (geschlossen), Außenmaß		584 mm
Gesamtbreite (geöffnet), Laufrollen vorne	p	945 mm
Länge zusammengeklappt		1030 mm
Höhe zusammengeklappt		500 mm
Breite zusammengeklappt		584 mm
Min. Abstand Wand/ZAP* (geringste Höhe)	w3	188 mm
Min. Abstand Wand/ZAP* (Höchstreichweite)	w2	293 mm
Min. Abstand Wand/ZAP* (größte Höhe)	w1	762 mm
Wendekreis		1133 mm
Gesamtgewicht		44,85 kg
Gewicht von Fahrgestell und Motor		34,15 kg
Gewicht der Batterie		2,90 kg
Gewicht der Fußplatte		4,55 kg
Gewicht der Beinstütze		2,80 kg
Gewicht der Beinstützenbefestigung		0,40 kg
<b>Höchstlast</b>		<b>150 kg</b>
Freie Höhe, mindestens		57 mm
Maximale Reichweite bei 600 mm mit Beinstütze	a1	100 mm
Maximale Reichweite bei 600 mm ohne Beinstütze	a2	368 mm
Maximale Reichweite ab Träger	b	450 mm
Reichweite ab Träger mit Abstand von 700 mm	c	375 mm
Spannungsausgang		24V $\overline{\text{---}}$ max. 250 VA
Versorgungsspannung		120-240V $\sim$ max. 37-53 VA
Maximale Stromaufnahme		max. 350 mA
Betriebstemperatur		+5 bis +40°C
Relative Luftfeuchtigkeit		20% bis 80% bei 30°C, nicht kondensierend

<b>Produktname</b>	<b>Vermeiren</b>
<b>Typ</b>	<b>Patientenlifter</b>
<b>Modell</b>	<b>Albatros</b>

<b>Beschreibung</b>	<b>Maße in Zeichnung</b>	<b>Abmessungen</b>
Schalldruck		< 50 dB(A)
Luftdruck		700 bis 1060 hPa
Kontrollbox		Linak CAL40
Batterie		Linak BAL40
Handsteuerung		Linak HB3X0L0
Motor		Linak LA34 (7500N)
Schutzklasse Kontrollbox		IPX4
Schutzklasse Batterie		IPX5
Schutzklasse Handsteuerung		IPX5
Schutzklasse Motor		IP54
Isolierklasse		II - Type B
Arbeitsleistung		ca. 40 Anhebungen pro Ladung
Geschwindigkeit Heben/Senken		23 Sek.
Periodischer Betrieb		max. 10%, oder 2 Min. Dauerbetrieb / 18 min. Pause
Batteriekapazität		2.9 Ah
Not-stopp		Ja
Manuelle Notabsenkung		Ja
Elektrische Notabsenkung		Nein

**Technische Änderungen vorbehalten. Maßtoleranz +/- 15 mm / 1,5 kg / 1,5°**

1 = Höchste Position, 2 = Maximale Reichweite, 3 = Niedrigste Position

\* ZAP = Zentraler Anschlagpunkt



## Indice

<b>Indice</b>	<b>1</b>
<b>Premessa</b>	<b>2</b>
<b>1 Il prodotto</b>	<b>3</b>
<b>2 Prima dell'uso</b>	<b>4</b>
2.1 Uso previsto	4
2.2 Istruzioni generali di sicurezza	4
<b>3 Utilizzo del sollevatore</b>	<b>6</b>
3.1 Uso del sollevatore	6
3.2 Sistema di seduta	8
3.3 Batteria e ricarica	9
3.4 Emergenza	11
<b>4 Installazione e regolazione</b>	<b>12</b>
4.1 Consegna	12
4.2 Montaggio o smontaggio	12
4.3 Sostituzione della batteria	16
<b>5 Manutenzione</b>	<b>17</b>
5.1 Intervalli di manutenzione	17
5.2 Spedizione e magazzinaggio	18
5.3 Pulizia	18
5.4 Disinfezione	19
5.5 Controllo	19
5.6 Durata prevista	19
5.7 Utilizzi successivi	20
5.8 Fine vita	20
<b>6 Soluzione dei problemi di funzionamento</b>	<b>21</b>
<b>7 Specifiche tecniche</b>	<b>22</b>



## Premessa

Congratulazioni! Ora possiede un sollevatore Vermeiren!

Questo prodotto è realizzato da personale qualificato e competente. Esso è progettato e prodotto secondo gli elevati standard di qualità garantiti da Vermeiren.

Grazie per la fiducia accordata ai prodotti Vermeiren. Questo manuale viene fornito come supporto per l'uso di questo sollevatore e delle sue opzioni operative. Leggerlo attentamente, in quanto aiuta a familiarizzarsi con il funzionamento, le prestazioni e le limitazioni del prodotto.

Per eventuali ulteriori domande successive alla lettura di questo manuale, rivolgersi al proprio rivenditore specializzato, che sarà lieto di fornire un supporto sull'argomento.

### **Nota importante**

Per garantire la propria sicurezza e prolungare la durata del prodotto, trattarlo con cura e farlo controllare e/o sottoporlo a manutenzione con regolarità.

Questo manuale rispecchia gli sviluppi più recenti del prodotto. Vermeiren si riserva il diritto di introdurre modifiche di questo tipo di prodotto senza alcun obbligo di adattare o sostituire i prodotti analoghi consegnati in precedenza.

Le immagini vengono utilizzate per chiarire le istruzioni contenute nel manuale. I dettagli del prodotto raffigurato possono essere diversi da quelli del prodotto in uso.

### **Informazioni disponibili**

Sul sito Web di Vermeiren, all'indirizzo <http://www.vermeiren.com/> è sempre disponibile la versione più recente delle informazioni indicate di seguito. Visitare con regolarità tale sito per verificare l'esistenza di eventuali aggiornamenti.

Le persone ipovedenti possono scaricare la versione elettronica di questo manuale e farlo leggere da un software applicativo di sintesi vocale.



Questo manuale utente  
Per l'utente e il rivenditore specializzato



Manuale di assistenza  
Per il rivenditore specializzato



Dichiarazione di conformità CE

## 1 Il prodotto

IT



1. Pulsanti per le cinghie di fissaggio
2. Traversa
3. Staffa di trasporto per il motore
4. Motore
5. Poggiagambe
6. Telaio
7. Pedana
8. Ruota
9. Staffa di trasporto per la traversa
10. Batteria
11. Arresto di emergenza
12. Scatola di controllo
13. Asta
14. Impugnatura di spostamento
15. Comando manuale
16. Raccordo di sicurezza
17. Perno di sicurezza
18. Pedale spaziatore telaio
19. Ruota con freno

## 2 Prima dell'uso

### 2.1 Uso previsto

Questo paragrafo fornisce una breve descrizione dell'uso previsto del sollevatore. Gli altri paragrafi aggiungono inoltre alle istruzioni ulteriori avvertenze di rilievo. Vermeiren desidera in tal modo portare all'attenzione dell'utente gli eventuali usi errati che possono presentarsi.

- **Indicazioni e controindicazioni:** Questo sollevatore deve essere azionato da un assistente per trasferire pazienti seduti, ad esempio, tra sedie a rotelle, letti di cura e bagni. Il sollevatore è stato progettato e prodotto come ausilio per il trasporto/trasferimento di persone anziane o che soffrono di paralisi, perdita o difetti degli arti, articolazioni rigide o danneggiate, problemi cardiovascolari, cachessia, ... . Se utilizzato in modo appropriato, non sono note controindicazioni.
- Questa carrozzina è adatta per l'uso al coperto.
- Questo sollevatore è progettato e prodotto esclusivamente per il trasporto/trasferimento di una (1) persona con un peso massimo di 150 kg. Essa non è viceversa progettata per il trasporto di merci od oggetti, né per qualunque uso diverso da quello descritto in precedenza.
- Utilizzare esclusivamente accessori e ricambi approvati da Vermeiren.
- Leggere tutte le informazioni tecniche di dettaglio e le limitazioni del sollevatore, riportate nel capitolo 7.
- La garanzia del prodotto presuppone un uso e una manutenzione normali del medesimo, come descritti in questo manuale. I danni al prodotto dovuti a uso improprio o manutenzione carente causano la decadenza della garanzia.

### 2.2 Istruzioni generali di sicurezza

 **ATTENZIONE** Rischio di lesioni e/o danni

Leggere e osservare le istruzioni contenute in questo manuale. In caso contrario, è possibile ferirsi o danneggiare il sollevatore.

Durante l'uso, tenere presenti le seguenti avvertenze generali:

- L'uso ed il funzionamento del sollevatore è pensato solo per le persone autorizzate che sono state istruite sull'uso del dispositivo stesso.
- Non superare il carico massimo previsto per il sollevatore. In caso contrario, la centralina di controllo si spegnerà.
- In caso di peso diverso dell'utente per il sollevatore e il sistema di seduta, rispettare sempre il peso dell'utente più basso.
- Durante l'operazione di sollevamento è necessaria la presenza di un addetto.
- Tenere presente che alcune parti del sollevatore possono diventare molto calde o fredde a causa della temperatura ambiente, della radiazione solare o dei dispositivi di riscaldamento. Fare attenzione quando si toccano.
- Il sollevatore è stato sottoposto a prove di compatibilità elettromagnetica ed è conforme alla relativa norma. Le fonti di campi elettromagnetici, come quelli di telefoni cellulari, generatori di corrente o fonti energetiche di grande potenza, possono tuttavia influire sulle prestazioni del sollevatore. L'elettronica del sollevatore può d'altro canto influire su altri apparati elettronici.
- Utilizzare il sollevatore solo su superfici piane dove tutte le rotelle toccano il suolo e dove c'è un contatto sufficiente per far funzionare il sollevatore in sicurezza. Non superare ostacoli con il sollevatore durante il trasferimento del paziente.
- Non utilizzare il sollevatore in ambienti umidi o bagnati.
- Consultare il produttore prima di modificare o sostituire i punti di assicurazione della stessa, oppure componenti o parti della sua struttura o del suo telaio.



- Prestare attenzione al fuoco, soprattutto alle sigarette accese, perché i sistemi di seduta sono infiammabili.

Nel caso in cui si sia verificato un grave incidente con il vostro prodotto, informate Vermeiren o il vostro rivenditore specializzato e l'autorità competente del vostro paese.



## 3 Utilizzo del sollevatore

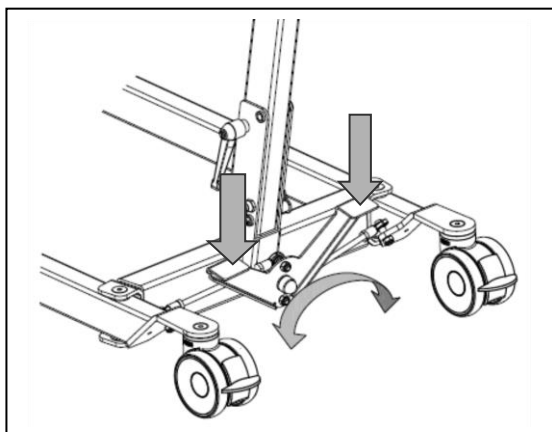
### 3.1 Uso del sollevatore

 **AVVERTENZA** Rischio di lesioni e/o danni

- Verificare che durante l'uso del sollevatore ci sia sufficiente spazio ai lati e al di sopra dello stesso, poiché in caso contrario si potrebbero verificare danni o lesioni delle funzioni d'impostazione durante il movimento.
- Per evitare lesioni, tenere sempre sotto controllo il braccio del sollevatore.
- Si devono utilizzare solo sistemi di seduta pensati ed approvati per il sollevatore (vedere istruzioni per l'uso dei relativi sistemi di seduta). L'uso di altri sistemi di seduta è a proprio rischio e pericolo.
- Per spostare il sollevatore, utilizzare solo le impugnature per la spinta e nessun altro componente.

Osservare i dati tecnici secondo cui è possibile utilizzare il sollevatore. Il sollevatore deve essere utilizzato solo da persone autorizzate che hanno ricevuto una formazione sull'uso dello stesso.

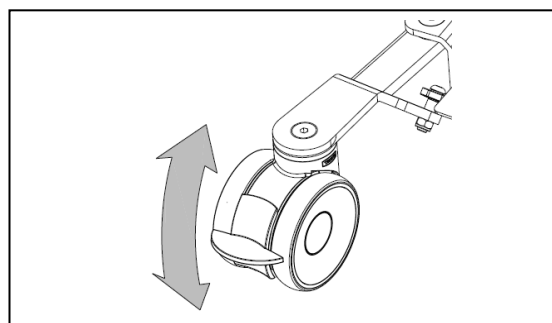
#### 3.1.1 Spaziatura telaio



Per poter utilizzare una sedia a rotelle o altri dispositivi simili con il sollevatore, ma anche per aumentare la sicurezza d'uso del sollevatore, è possibile aumentare la distanza tra le gambe del telaio.

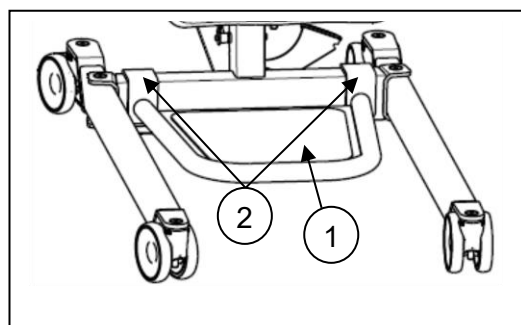
Posizionarsi dietro il sollevatore assemblato, afferrare le impugnature per la spinta del sollevatore (a destra e a sinistra della centralina). Premere leggermente con un piede la leva sul telaio inferiore (a destra o a sinistra) verso il basso per aumentare o ridurre la distanza delle gambe del telaio.

#### 3.1.2 Freno di stazionamento



Fissare le due ruote sull'estremità posteriore del telaio premendo leggermente con la punta del piede il pedale del freno della ruota verso il basso finché non si blocca. Per sbloccare il freno, premere leggermente con la punta del piede ancora sul pedale del freno verso l'alto finché le ruote non si sbloccano.

#### 3.1.3 Pedana



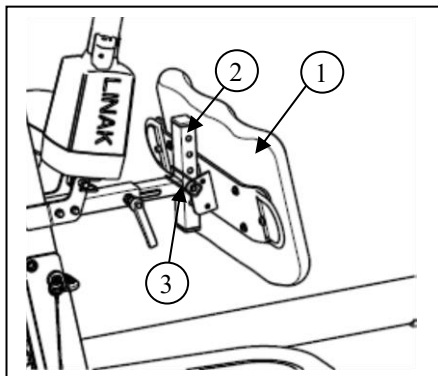
La pedana ① può essere montata o rimossa tramite i ganci ② presenti nel telaio dell'argano paziente.

### 3.1.4 Poggiagambe


**AVVERTENZA**

Rischio di lesioni

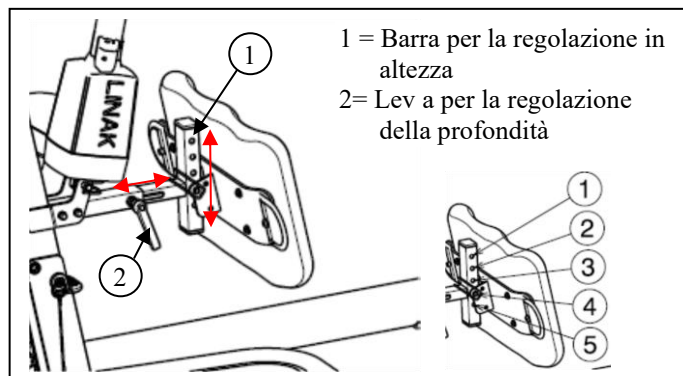
- Non lasciar cadere il poggiagambe sul paziente durante la regolazione.

**IT**


Il poggiagambe ① può essere montato sulla barra dell'argano paziente ② con il perno di sicurezza ③.

Lo scopo del poggiagambe è quello di mantenere le gambe del paziente nella posizione corretta e di supportare le gambe quando il paziente quando si solleva in piedi.

È possibile regolare la profondità del poggiagambe e impostarlo su 5 altezze diverse.



1 = Barra per la regolazione in altezza  
2 = Lev a per la regolazione della profondità

Altezza dalla pedana alla parte superiore del poggiagambe	Posizione
520 mm	Foro 1
495 mm	Foro 2
470 mm	Foro 3
445 mm	Foro 4
420 mm	Foro 5

### 3.1.5 Sollevare e abbassare la traversa

Con il comando manuale è possibile regolare la traversa in qualsiasi posizione.

- ① = Sollevare traversa  
② = Abbassare traversa

Durante l'uso della funzione di sollevamento fino all'estremità del motore del sollevatore, l'interruttore di limite è attivato dall'elettronica (funzione di sicurezza). Utilizzare la funzione di sollevamento solo al centro dell'intervallo di regolazione.



### 3.1.6 Spostamento del sollevamali


**AVVERTENZA**

Rischio di lesioni

- Prestare attenzione durante il passaggio in spazi ristretti (ad esempio, porte).
  1. Posizionarsi dietro il sollevatore e afferrare le impugnature (a destra e a sinistra, accanto alla centralina) con entrambe le mani.
  2. Accertarsi che entrambi i freni delle ruote posteriori siano sbloccati.
  3. Spostare lentamente il sollevatore nella posizione desiderata.

A sollevatore scarico, consigliamo di spostarlo indietro affinché sia possibile superare più facilmente gli ostacoli (ad es. telai di porte, angoli di stanze o arredamenti).

### 3.1.7 Girare il sollevatore intorno al suo asse



AVVERTENZA

Rischio di lesioni

- Prestare attenzione durante il passaggio in spazi ristretti (ad esempio, porte).
  - Per spostare il sollevatore, utilizzare solo le impugnature per la spinta e nessun altro componente.
1. Aprire le gambe del sollevatore per garantire una maggiore stabilità.
  2. Attivare i freni.
  3. Posizionare il paziente nel sollevatore con l'imbragatura appropriata. (consultare il manuale dell'imbragatura per le istruzioni sul posizionamento del paziente nel sollevatore).
  4. Sollevare il paziente da terra, da una sedia, da un letto, ... .
  5. Allentare entrambi i freni delle ruote posteriori.
  6. Posizionarsi dietro il sollevatore e afferrare con entrambe le mani le impugnature (a sinistra e a destra, accanto alla centralina di controllo).
  7. Ora girate con cautela e lentamente il sollevatore per pazienti nello stesso punto. Fare attenzione a non toccare alcun oggetto con le gambe del sollevatore.
  8. Una volta girato in posizione corretta, è possibile sollevare il paziente.

### 3.2 Sistema di seduta



AVVERTENZA

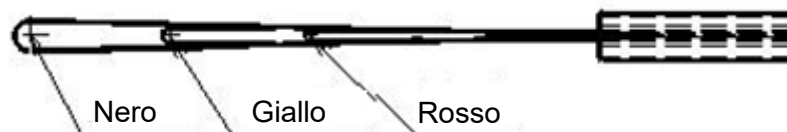
Rischio di lesioni

- Utilizzare solo le imbracature appropriate per i pazienti.
- Non utilizzare imbracature danneggiate.
- Leggere prima il manuale completo delle imbracature.
- Utilizzare solo imbracature compatibili approvate da Vermeiren

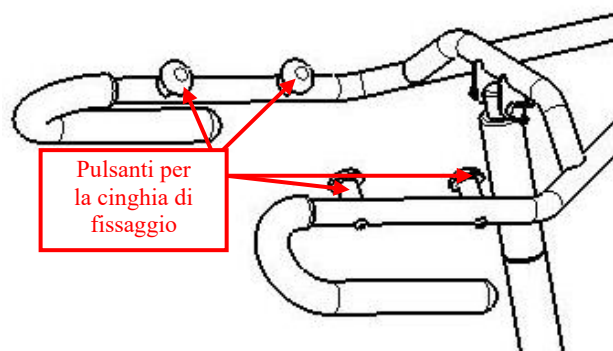
#### 3.2.1 Collegamento ai pulsanti degli argani paziente

Le sistema di seduta vengono collegate attraverso le cinghie di fissaggio. Queste cinghie di fissaggio verranno sospese sui pulsanti di sollevamento dell'organo paziente.

Le cinghie di fissaggio delle sistema di seduta hanno 4 lacci di colori diversi.



*Cinghia di fissaggio dell sistema di seduta*



*Pulsanti degli argani paziente "Albatros"*



Con i 3 lacci diversi è possibile sollevare i pazienti da lunghezze diverse.

Colore	Descrizione
Rosso	Pazienti alti, le mani del paziente possono avvicinarsi all'organo paziente in modo che il paziente possa contribuire attivamente al suo sollevamento.
Giallo	Combinazione
Nero	Pazienti piccoli: Il paziente è relativamente basso rispetto all'altezza dei pulsanti.

### 3.3 Batteria e ricarica

#### 3.3.1 Batteria



La batteria si trova sopra la centralina ed è sostituibile grazie a un sistema di morsetti integrato.

Tensione primaria	24 VDC
Temperatura ambiente	+5°C fino a +40°C
Temperatura ambientale per la conservazione	da -10° C a +40° C
Umidità relativa per la conservazione	max. 80% (senza condensazione)
Dichiarazione di conformità	verificato ai sensi della direttiva IEC 60601-1

#### 3.3.2 Centralina+ caricabatterie incluso



La centralina è comprensiva di un arresto di emergenza e di un caricabatterie interno.

Tensione primaria	100 - 240 VAC / 50/60 Hz
Tensione secondaria (tensione di carica)	24 VDC, max. 250 VA
Corrente secondaria (corrente di carica)	max. 10 A
Dispositivi di protezione	protetto da errori di polarità, sovratensione e surriscaldamento
Temperatura ambiente	+5°C fino a +40°C
Temperatura ambientale per la conservazione	da -10° C a +40° C
Umidità relativa per la conservazione	max. 80% (senza condensazione)
Dichiarazione di conformità	verificato ai sensi della direttiva IEC 60601-1

I dati tecnici sono soggetti a modifiche.

### 3.3.3 Caricabatterie esterno (FACOLTATIVO)

**IT**

Il caricabatterie esterno deve essere installato su una parete. Il caricabatteria esterno consente di caricare una batteria di ricambio (facoltativa) e di continuare pertanto a utilizzare il sollevatore senza interruzioni dovute alla necessità di ricaricare le batterie.

Tensione primaria	100 - 240 VAC / 50/60 Hz
Corrente di carica	max. 650 mA
Temperatura ambiente	+5°C fino a +40°C
Temperatura ambientale per la conservazione	da -10° C a +40° C
Umidità relativa per la conservazione	max. 80% (senza condensazione)

### 3.3.4 Carica della batteria

Utilizzare solo la centralina del dispositivo Albatros con il caricabatterie incluso oppure il caricabatterie esterno da installare sulla parete.

È consigliabile ricaricare regolarmente le batterie, per garantire la continuità di utilizzo del sollevatore ed estendere la vita utile delle batterie. La centralina indicherà con un segnale acustico quando il livello di carica delle batteria è bassa.

#### **Primo utilizzo**

Inserire il connettore del cavo di alimentazione nell'apposito connettore della centralina. La spina del cavo di alimentazione deve essere inserita nella presa di corrente. Il tempo di ricarica è di circa 24 ore.

#### **Ricarica**

**⚠ AVVERTENZA: rischio di lesioni. Non utilizzare il sollevatore quando il cavo di alimentazione è collegato alla presa di corrente.**

Quando la batteria si sta scaricando, metà del LED verde lampeggia e si sente un singolo segnale acustico quando si attiva il paranco. Se il LED lampeggia e si sente un segnale acustico continuo, la batteria ha ancora solo due cicli.



Quando le batterie si stanno ricaricando, metà del LED si illumina di verde. La batteria è completamente carica quando il LED è completamente verde.

Al termine della carica è sempre consigliabile rimuovere prima la spina di alimentazione dalla presa di corrente e successivamente il connettore dalla centralina.

Non utilizzare il sollevatore durante la carica!

Se le batterie non vengono utilizzate per un lungo periodo di tempo, si scaricano lentamente (completamente) e non possono più essere ricaricate con il caricabatterie in dotazione. È pertanto consigliabile ricaricare le batterie almeno una volta al mese, anche se non vengono utilizzate.

## 3.4 Emergenza

In casi di emergenza, è necessario utilizzare l'arresto di emergenza e la funzionalità di abbassamento di emergenza.

**IT**

### 3.4.1 Arresto di emergenza

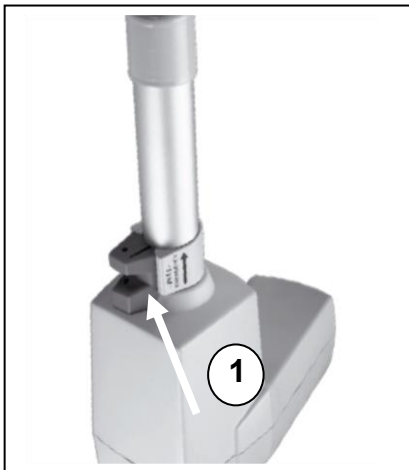
In caso di emergenza e durante il montaggio e lo smontaggio, è possibile attivare l'arresto di emergenza premendo il pulsante rosso a destra presente sulla centralina.

L'arresto di emergenza viene disattivato ruotando il pulsante rosso nella direzione delle frecce.



### 3.4.2 Abbassamento di emergenza manuale

**⚠ AVVERTENZA: rischio di lesioni. L'abbassamento di emergenza manuale deve essere adeguato al peso del paziente.**



In caso di assenza di alimentazione o di batterie scariche, l'abbassamento di emergenza può essere effettuato premendo il pulsante rosso ① posto all'estremità inferiore del motore. L'abbassamento di emergenza predefinito è impostato per un paziente del peso di 75 Kg.

Calibrazione standard: 3000N, 16 mm/s per abbassare il paziente.

Si noti che l'abbassamento di emergenza manuale è possibile solo se il paziente è seduto sul sollevatore.

## 4 Installazione e regolazione

Il sollevatore viene consegnato completamente assemblato dal rivenditore specializzato.

**Le istruzioni contenute nel presente capitolo sono destinate al rivenditore.**

Per individuare il centro assistenza o il rivenditore specializzato più vicino, contattare il centro Vermeiren.

**⚠ AVVERTENZA: Pericolo di limiti non sicuri – Utilizzare solo i limiti descritti nel presente manuale.**

### 4.1 Consegna

L'argano paziente Albatros Vermeiren può essere consegnato con:

- telaio comprensivo di 4 ruote (di cui due con freni)
- asta con impugnatura per la spinta
- traversa con attacco per l'imbracatura
- scatola di controllo (+ caricabatterie incluso)
- batteria
- controllo manuale
- motore
- manuale di istruzioni
- pedana
- poggiamambe

Prima dell'uso, controllare che tutti i componenti siano inclusi e che non siano stati danneggiati, ad esempio durante il trasporto.

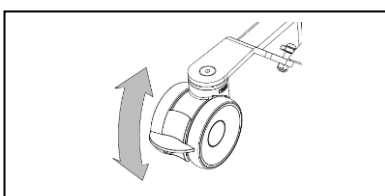
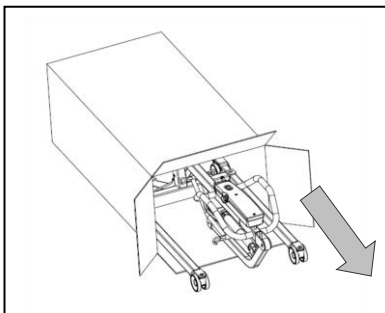
Si noti che nei vari paesi europei la dotazione di base potrebbe essere diversa. Per ulteriori informazioni, rivolgersi al rivenditore nel proprio paese.

### 4.2 Montaggio o smontaggio

#### 4.2.1 Disimballaggio

**⚠ AVVERTENZA: rischio di lesioni. Dopo il disimballaggio e prima del montaggio, verificare sempre che l'arresto di emergenza (il pulsante rosso sulla centralina) sia premuto.**

L'imballaggio del sollevatore è stato scelto per garantire una sicurezza ottimale durante il trasporto.

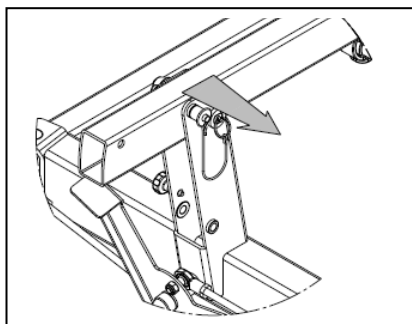


1. Estrarre il sollevatore dal cartone e verificare che la spedizione sia completa e i singoli componenti non presentino difetti visibili. In caso di danni, rivolgersi al proprio rivenditore.
2. Prima dell'installazione assicurare il sollevatore da movimenti involontari azionando tutti i freni. Premere leggermente con la punta del piede la piastra frenante verso il basso fino a bloccarla. Per sbloccare il freno, premere leggermente con la punta del piede ancora sulla piastra frenante verso l'alto finché la ruota non si sblocca.

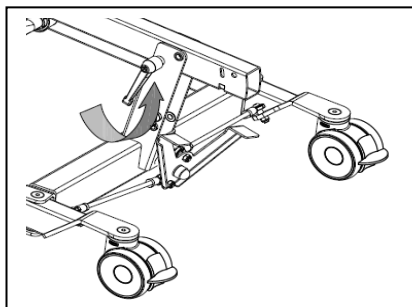
## 4.2.2 Montaggio

**⚠ AVVERTENZA:** rischio di intrappolamento. Verificare che durante il montaggio nessuna parte del corpo o nessun cavo venga incastrato o schiacciato.

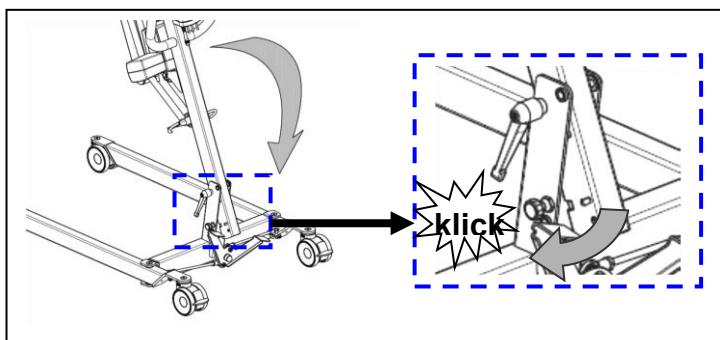
IT



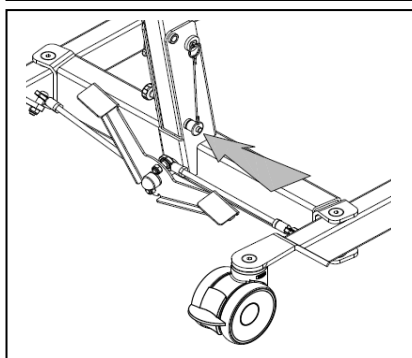
1. Rimuovere il perno di sicurezza (perno di bloccaggio) sull'estremità inferiore dell'asta, premendo leggermente il pulsante sulla testa del perno. Ora è possibile estrarre facilmente il perno di sicurezza.



2. Allentare leggermente la sicura del trasporto (vite ad alette) per sollevare l'asta.

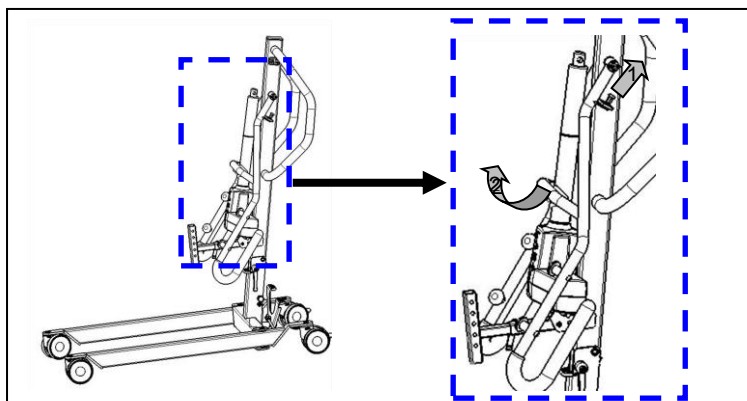


- 2.a È possibile percepire il 'click' della sicura di bloccaggio (vite di tensionamento) quando l'asta raggiunge la posizione finale.

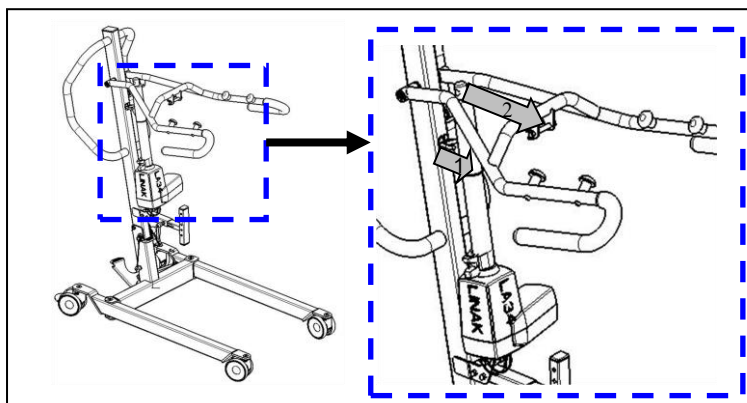


3. **⚠ AVVERTENZA:** Rischio di lesioni – Accertarsi che il perno di sicurezza sia inserito correttamente.

Fissare l'asta inserendo il perno di sicurezza all'estremità dell'asta con il pulsante premuto, in modo che la stessa sporga visibilmente sull'altra estremità. Rilasciare il pulsante del perno di sicurezza e verificare se l'asta può ancora essere estratta.

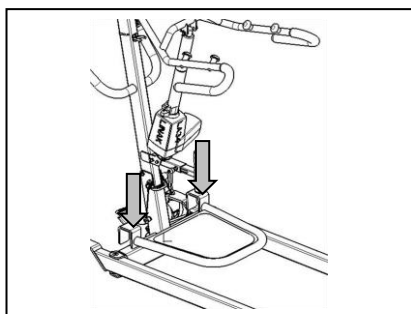


4. Rimuovere la traversa dall'estremità dell'asta (2). A tale scopo, è necessario tirare la punta (1).

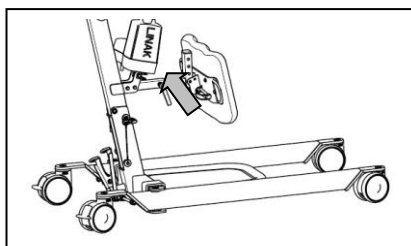


5. Rimuovere delicatamente il motore di azionamento tirando verso l'esterno il morsetto nero (1).

6. Fissare il motore di azionamento alla traversa tramite il perno di bloccaggio (2). Verificare che il motore di azionamento sia accuratamente posizionato accanto alla traversa.



7. Fissare la pedana al telaio dell'organo paziente tramite i ganci.

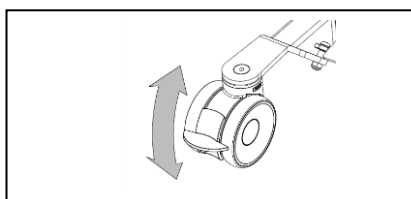


8. Fissare il poggiamambe tramite il perno di bloccaggio. Posizionare il poggiamambe alla profondità e all'altezza desiderate.

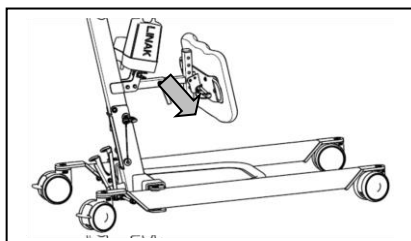
#### 4.2.3 Smontaggio

**⚠ AVVERTENZA:** rischio di intrappolamento. Verificare che durante lo smontaggio nessuna parte del corpo o nessun cavo venga incastrato o schiacciato.

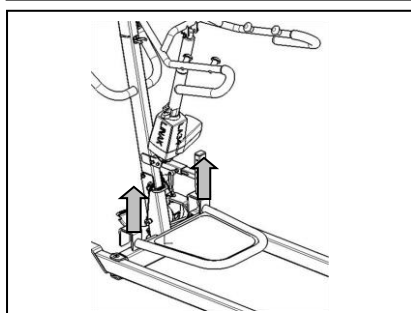
**⚠ AVVERTENZA:** rischio di lesioni. Verificare che l'arresto di emergenza (pulsante rosso sulla centralina) sia attivato, per evitare spostamenti involontari.



1. Fissare le due ruote sull'estremità posteriore del telaio premendo leggermente con la punta del piede il pedale del freno della ruota verso il basso finché non si blocca. Per sbloccare il freno, premere leggermente con la punta del piede ancora sul pedale del freno verso l'alto finché le ruote non si sbloccano.

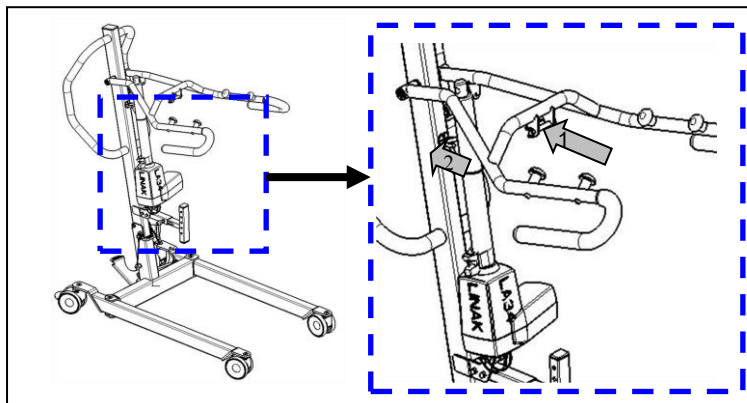


2. Rimuovere il poggiamambe tramite il perno di bloccaggio.



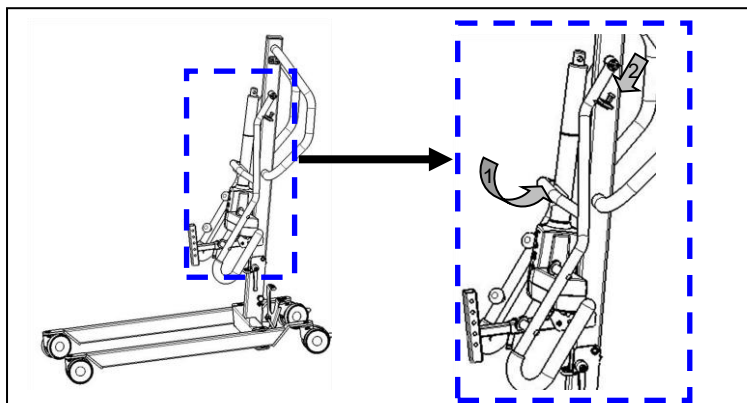
3. Rimuovere la pedana dal telaio dell'organo paziente.



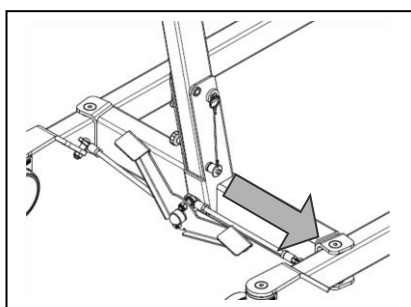


4. Smontare il motore di azionamento dalla traversa rimuovendo il perno di bloccaggio (1).

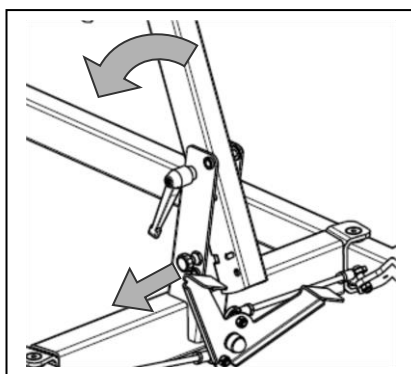
5. Spostare il motore di azionamento nella posizione più bassa e collocarlo nel morsetto posteriore (2).



6. Spostare la traversa nella posizione più bassa (1). Assicurare la punta all'estremità superiore dell'asta nel foro della traversa (2).



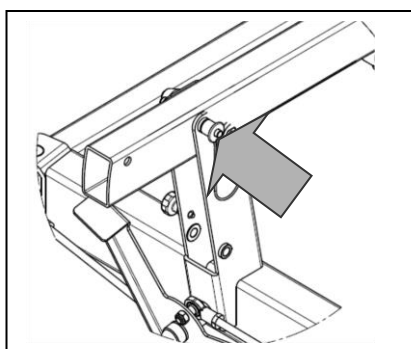
7. Rimuovere il perno di sicurezza (perno di bloccaggio) sull'estremità inferiore dell'asta, premendo leggermente il pulsante sulla testa del perno. Ora è possibile estrarre facilmente il perno di sicurezza.



8. **⚠ AVVERTENZA: Rischio di lesioni – Sbloccando l'asta, questa può ribaltarsi repentinamente a causa del proprio peso.**

Tirare la sicura di bloccaggio (vite di tensionamento) finché l'asta non è sbloccata e può essere ribaltata. Ora è possibile ribaltare in avanti l'asta.

Inclinare l'asta in avanti il più possibile.



9. **⚠ AVVERTENZA: Rischio di lesioni – Verificare che il perno di sicurezza sia inserito correttamente.**

Fissare l'asta inserendo il perno di sicurezza all'estremità dell'asta con il pulsante premuto in modo che la stessa sporga visibilmente sull'altra estremità. Rilasciare il pulsante del perno di sicurezza e verificare se l'asta possa essere ancora estratta.



### 4.3 Sostituzione della batteria

- La casa produttrice declina qualsiasi responsabilità per danni derivanti dall'uso di batterie non appropriate.
- Non utilizzare la batteria a temperature inferiori a +5° C o superiori a +50° C, la temperatura ottimale è +20° C.
- In caso di apertura della batteria, la casa costruttrice declina ogni responsabilità e la garanzia decade.



La batteria del sollevatore può essere sostituita tramite un sistema di morsetti integrato.

Per sostituire la batteria, tirare in corrispondenza del sistema di morsetti integrato. Si solleverà la piastra e sarà possibile rimuovere il coperchio della batteria (centralina).

## 5 Manutenzione

### 5.1 Intervalli di manutenzione



ATTENZIONE

Rischio di lesioni e danni

IT

Riparazioni e sostituzioni devono essere eseguite esclusivamente da personale con un'opportuna formazione e utilizzando unicamente ricambi originali Vermeiren.

- i** L'ultima pagina di questo manuale contiene un modulo di registrazione che consente ai rivenditori specializzati di registrare ogni intervento di assistenza.

La frequenza dell'assistenza dipende dalla frequenza e dall'intensità dell'uso. Concordare con il proprio rivenditore un calendario comune per le attività di ispezione / manutenzione / riparazione. Per il manuale di manutenzione, fare riferimento al sito Web di Vermeiren all'indirizzo [www.vermeiren.com](http://www.vermeiren.com).

#### *Prima di ciascun utilizzo*

Verificare i seguenti punti:

- Tutti i componenti: presenza, integrità e assenza di usura.
- Tutti i componenti: pulizia, vedere il § 5.3.
- Condizioni dei componenti del telaio: assenza di deformazioni, instabilità, punti deboli o raccordi allentati.
- Freni: nessun danno visibile e/o sporcizia.
- Scatola di comando, comando manuale, caricabatteria e relativi cavi: nessun danno, ad esempio fili sfilacciati, rotti o esposti. Controllare che la regolazione elettrica del braccio a sbalzo funzioni correttamente, utilizzando il comando manuale.
- Stato delle batterie: ricarica secondo necessità, vedere il § 3.3.

#### *8 settimane circa*

In funzione della frequenza d'uso, verificare quanto segue:

- Lubrificazione dei raccordi articolati della trasversa
- Stato delle ruote
- Sono visibili danni all'alloggiamento della centralina, batterie, caricabatterie (se disponibile) e del comando manuale?
- Stato del cavo idoneo all'uso
- Ricaricare la batteria

#### *Ogni sei mesi o per ogni nuovo paziente*

In funzione della frequenza d'uso, verificare quanto segue:

- Pulizia
- Stato generale
- Funzionamento delle ruote

Se le ruote oppongono eccessiva resistenza è necessario pulirle. Se questa operazione non consente di risolvere il problema, consultare il rivenditore specializzato.

#### *Annualmente o con maggiore frequenza*

Almeno una volta all'anno, o con maggiore frequenza, richiedere al proprio rivenditore specializzato un intervento di ispezione e manutenzione del sollevatore. La frequenza minima di manutenzione dipende dall'uso, e deve pertanto essere concordata con il proprio rivenditore specializzato.

## 5.2 Spedizione e magazzinaggio

- La spedizione e il magazzinaggio del sollevatore devono avvenire come indicato nelle specifiche tecniche riportate nel §7. Avere cura di immagazzinare il sollevatore in un luogo asciutto.
- Evitare che i cavi siano schiacciati o piegati.
- Scollegare il sollevatore ammalati dalla presa.
- Fornire copertura o imballaggio adeguato per proteggere il sollevatore da ruggine e oggetti estranei (ad esempio, acqua salata, aria salmastra, sabbia, polvere).
- Conservare insieme tutte le parti rimosse, o contrassegnarle se necessario, per evitare di confonderle con altri prodotti al momento del montaggio (Ad esempio, il caricabatterie).
- Assicurarsi che non vengano riposti oggetti sopra o contro il sollevatore per pazienti e i suoi componenti per evitare danni.

## 5.3 Pulizia

ATTENZIONE

Rischio di danni da umidità

- Non pulire il sollevatore con manichette o pulitrici ad alta pressione.
- Per rimuovere lo sporco più resistente, utilizzare un detergente delicato disponibile in commercio.
- Eliminare le macchie con una spugna o una spazzola morbida.
- Non utilizzare detergenti aggressivi, ad esempio solventi, né spazzole dure.

### 5.3.1 Componenti in plastica

Per pulire tutte le parti in plastica del sollevatore, utilizzare detergenti per plastica disponibili in commercio. Attenersi alle istruzioni che accompagnano il detergente e utilizzare solo spazzole o spugne morbide.

### 5.3.2 Rivestimento

Il sollevatore per pazienti è costituito da componenti in acciaio. La qualità elevata del trattamento superficiale garantisce una protezione ottimale contro la corrosione. Se il rivestimento esterno è danneggiato da rigature o in altri modi, far riparare la superficie dal rivenditore.

Durante la pulizia, utilizzare solo acqua tiepida e detergenti per uso domestico, con spazzole e panni morbidi. Non far entrare umidità all'interno dei tubi.

### 5.3.3 Alloggiamento elettronica

**⚠ AVVERTENZA: Rischio di lesione – Prima di eseguire operazioni di manutenzione, attivare l'arresto di emergenza, in caso contrario potrebbero verificarsi movimenti involontari.**

Per pulire la centralina, l'alloggiamento del motore ed il comando manuale utilizzare esclusivamente un panno umido imbevuto con un po' di detergente per uso domestico. Non utilizzare prodotti o utensili di pulizia abrasivi (spugnette metalliche, spazzole etc.) onde evitare di rigare la superficie dell'unità di comando compromettendo la protezione contro gli spruzzi.

Verificare regolarmente che i connettori non siano corrosi o danneggiati onde evitare che il funzionamento dell'elettronica ne risenta.

La casa costruttrice declina qualsiasi responsabilità per danni derivanti da carenze nella cura del prodotto.

## 5.4 Disinfezione

Tutte le parti del sollevatore possono essere trattate con un disinfettante commerciale. Seguire le istruzioni del disinfettante.

Le istruzioni per il lavaggio delle imbragature sono riportate nel manuale delle imbragature e sull'etichetta di ogni imbragatura.

## 5.5 Controllo

Inizialmente è preferibile un controllo all'anno e almeno uno prima della ripresa dell'utilizzo. Eseguire tutti i controlli indicati di seguito accompagnati da documentazione compilata da personale autorizzato:

- Verifica dei cablaggi (in particolare: schiacciamenti, abrasioni, tagli, isolamento visibile dei conduttori, conduttori metallici visibili, pieghe, gobbe, cambiamenti di colore della guaina esterna, infragilimenti, spostamento sicuro in modo che l'azione di schiacciamento o tagli e gli altri stress meccanici siano improbabili).
- Esame visivo delle deformazioni plastiche e/o dell'usura dei componenti del telaio (telaio, sospensione del motore, traversa, bilancino).
- Controllo visivo per escludere danni alla verniciatura (rischio di corrosione).
- Esame visivo dei danni agli involucri, le viti devono essere serrate.
- Verifica della quantità di grasso sulle giunzioni metalliche delle parti mobili.
- Esame visivo delle fessure e della fragilità di tutti le parti in plastica.
- Verifica della corrente di dispersione della scatola di controllo (compreso il caricabatterie) (A) in base alla norma VDE 0702.
- Verifica della resistenza d'isolamento della scatola di controllo (compreso il caricabatterie) (MO) in base alla norma VDE 0702.
- Test funzionale della traversa (lubrificazione dei raccordi, zona di regolazione, deformazione, usura).
- Verifica del funzionamento dei motori del sollevatore (con marcia di prova → rumorosità, velocità, marcia regolare, e così via). Se necessario: misurazione delle prestazioni, dapprima senza carico, poi al carico nominale ("SWL"), per valutare l'usura dei motori confrontando i valori dell'assorbimento di corrente con i dati tecnici forniti al momento della consegna del prodotto.
- Test funzionale dell'arresto di emergenza.
- Test funzionale dell'abbassamento di emergenza.
- Verifica della completezza della condizione di consegna e della disponibilità del manuale di istruzioni.

Le misurazioni devono essere eseguite da personale specializzato nel settore dei presidi per disabili e da elettricisti specializzati in strumenti e procedimenti di controllo. L'autorizzazione all'uso del sollevatore dopo i controlli e le manutenzioni è di competenza dell'elettricista. La manutenzione deve essere eseguita solo da personale autorizzato e documentata come da programma.

Gli interventi di manutenzione, se sono stati controllati almeno gli aspetti menzionati, devono essere riportati nella scheda del piano di manutenzione.

## 5.6 Durata prevista

Il sollevatore è costruito in modo da permettere una durata media di vita di 8 anni. Tale valore aumenta o diminuisce a seconda della frequenza di utilizzo, dello stoccaggio, della manutenzione, dell'assistenza e della pulizia.

## 5.7 Utilizzi successivi

Prima di ogni utilizzo successivo, fare disinfettare, ispezionare e sottoporre a manutenzione il sollevatore secondo le istruzioni di questo capitolo.

## 5.8 Fine vita

A fine vita, occorre smaltire il sollevatore conformemente alla legislazione ambientale locale. Il modo migliore per farlo consiste nello smontare il sollevatore per agevolare il trasporto dei componenti riciclabili.

## 6 Soluzione dei problemi di funzionamento

Tabella 1: Soluzione dei problemi di funzionamento

Problema	Causa del problema	Risoluzione del problema
Rumore provocato dalle parti mobili (ad esempio la traversa).	Necessaria la lubrificazione.	Lubrificare le parti mobili. <b>(Non lubrificare il motore di azionamento!)</b>
Il motore di azionamento produce un rumore insolito.	Motore di azionamento danneggiato.	Sostituire il motore di azionamento o contattare il rivenditore.
Il sollevatore non solleva più.	<ol style="list-style-type: none"> <li>1. Motore di azionamento elettrico danneggiato.</li> <li>2. Peso del paziente eccessivo (il LED di stato del sistema lampeggia, si sentono due bip).</li> <li>3. Controllo manuale o motore di azionamento non collegato.</li> <li>4. Batteria non collegata, o collegata in modo non corretto, alla centralina.</li> <li>5. Batteria scarica.</li> <li>6. Arresto di emergenza attivato (il LED di stato del sistema è acceso).</li> </ol>	<ol style="list-style-type: none"> <li>1. Sostituire il motore di azionamento.</li> <li>2. Utilizzare un sollevatore con un peso massimo per i pazienti più elevato.</li> <li>3. Controllare i collegamenti. Se necessario collegare il controllo manuale o il motore di azionamento.</li> <li>4. Verificare che la batteria sia presente e installata in modo corretto.</li> <li>5. Caricare le batterie o sostituirle.</li> <li>6. Disattivare l'arresto di emergenza.</li> </ol>
L'abbassamento di emergenza del paziente non funziona.	È previsto un peso di carico minimo per l'abbassamento del paziente.	Se il peso del paziente è troppo limitato, abbassare leggermente la traversa o regolare la velocità di abbassamento.
Impossibile ricaricare la batteria	<ol style="list-style-type: none"> <li>1. Batteria non posizionata correttamente nella centralina.</li> <li>2. Cavo di alimentazione difettoso.</li> <li>3. Batterie difettose.</li> <li>4. Scatola di controllo con caricabatterie incluso o caricabatterie difettosa.</li> </ol>	<ol style="list-style-type: none"> <li>1. Verificare che le batterie siano collegate alla centralina.</li> <li>2. Sostituire il cavo di alimentazione.</li> <li>3. Sostituire le batterie.</li> <li>4. Sostituire la centralina con caricabatterie incluso o caricabatterie.</li> </ol>

## 7 Specifiche tecniche

IT

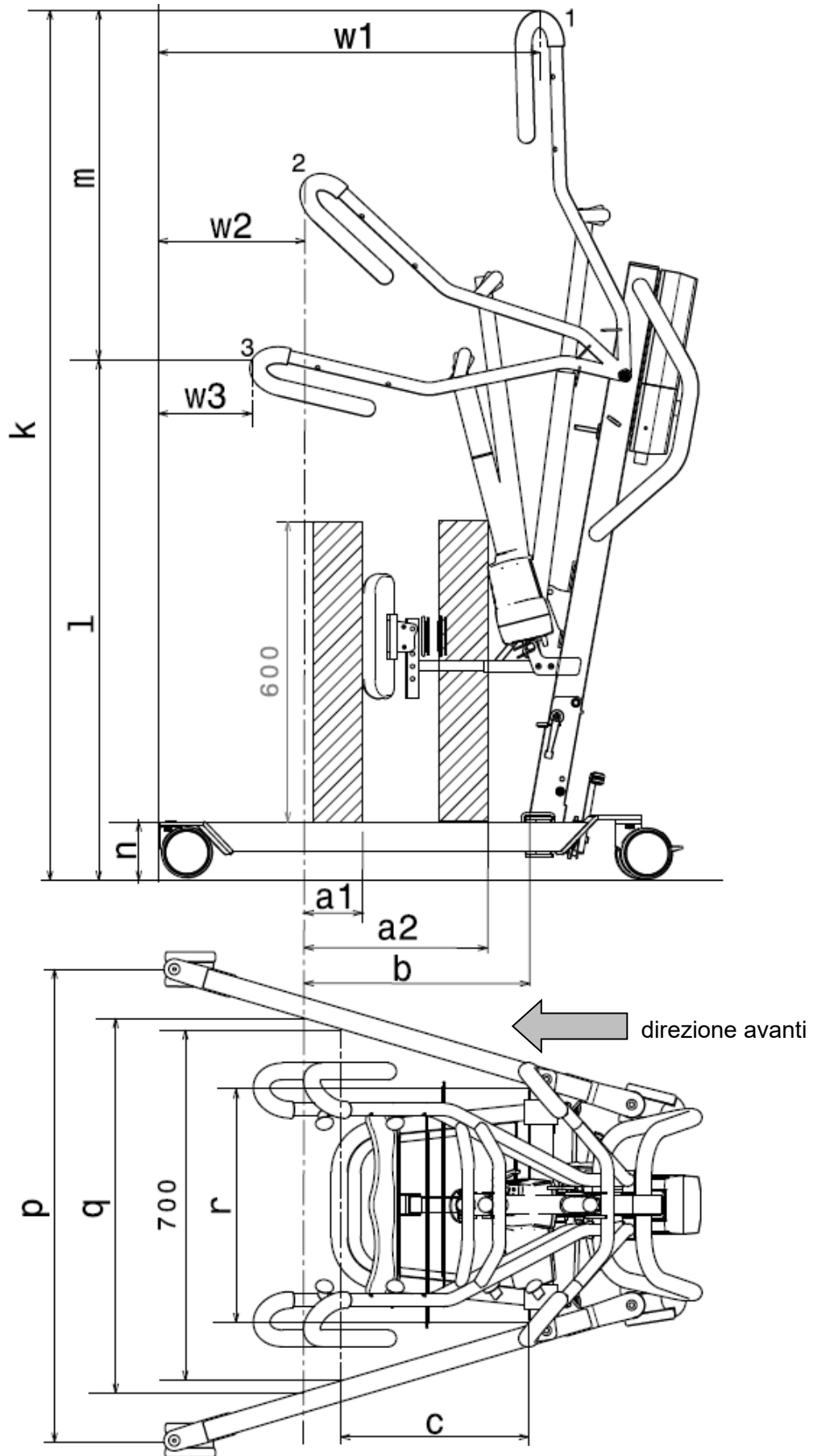




Tabella 2: Specifiche tecniche

<b>Marchio</b>	<b>Vermeiren</b>
<b>Tipo</b>	<b>Sollevatore di pazienti</b>
<b>Modello</b>	<b>Albatros</b>



Descrizione	Misurazione nel disegno	Dimensioni
Posizione più bassa ZAP*	l	1040 mm
Altezza massima ZAP*	k	1739 mm
Area di sollevamento (portata in altezza)	m	699 mm
Lunghezza gamba		965 mm
Lunghezza totale		1046 mm
Distanza minima gambe	r	467 mm
Distanza massima gambe	q	749 mm
Altezza gamba / altezza telaio	n	117 mm
Larghezza totale (chiuso), ingombro		584 mm
Larghezza totale (aperto), ruote anteriori	p	945 mm
Lunghezza ripiegata		1030 mm
Altezza ripiegata		500 mm
Larghezza ripiegata		584 mm
Distanza minima tra parete / CSP* (altezza minima)	w3	188 mm
Distanza minima tra parete / CSP* (portata massima)	w2	293 mm
Distanza minima tra parete / ZAP* (altezza massima)	w1	762 mm
Raggio di curva		1133 mm
Peso complessivo		44,85 kg
Peso telaio + motore		34,15 kg
Peso batteria		2,90 kg
Peso della pedana		4,55 kg
Peso del poggiamambe		2,80 kg
Peso dell'attacco per il poggiamambe		0,40 kg
<b>Carico massimo</b>		<b>150 kg</b>
Altezza libera, minima		57 mm
Portata massima a 600 mm con poggiamambe	a1	100 mm
Portata massima a 600 mm senza poggiamambe	a2	368 mm
Portata massima dalla trave	b	450 mm
Portata dalla traversa con distanza di 700 mm	c	375 mm
Tensione in uscita		24V $\overline{=}$ max. 250 VA
Tensione di alimentazione		120-240V $\sim$ max. 37-53 VA
Assorbimento elettrico massimo		max. 350 mA
Temperatura d'esercizio		+5 $\div$ +40°C

<b>Marchio</b>	<b>Vermeiren</b>
<b>Tipo</b>	<b>Sollevatore di pazienti</b>
<b>Modello</b>	<b>Albatros</b>

<b>Descrizione</b>	<b>Misurazione nel disegno</b>	<b>Dimensioni</b>
Umidità relativa		da 20% a 80% a 30°C, senza produzione di condensa
Pressione acustica		< 50 dB(A)
Pressione dell'aria		da 700 a 1060 hPa
Centralina		Linak CAL40
Batteria		Linak BAL40
Comanda manuale		Linak HB3X0L0
Motore		Linak LA34 (7500N)
Classe di protezione centralina		IPX4
Classe di protezione batteria		IPX5
Classe di protezione comando manuale		IPX5
Classe di protezione motore		IP54
Classe di isolamento		II - Tipo B
Rendimento di lavoro		circa 40 sollevamenti a carico
Velocità di sollevamento/abbassamento		28 secondi
Funzionamento periodico		max. 10%, o 2 min. funzionamento continuo /18 min. pausa
Capacità delle batterie		2.9 Ah
Arresto di emergenza		Si
Abbassamento di emergenza manuale		Si
Abbassamento elettrico di emergenza		No
<b>I dati tecnici sono soggetti a modifiche. Tolleranza +/- 15 mm / 1,5 kg / 1,5°</b>		

1 = Posizione più alta, 2 = Portata massima, 3 = Posizione più bassa  
\* ZAP = punto di sollevamento centrale

# Índice

<b>Índice</b>	<b>1</b>
<b>Introducción</b>	<b>2</b>
<b>1 Su producto</b>	<b>3</b>
<b>2 Antes de su uso</b>	<b>4</b>
2.1 Uso previsto	4
2.2 Instrucciones generales de seguridad	4
<b>3 Utilizar el elevador</b>	<b>6</b>
3.1 Manejo del elevador	6
3.2 Sistema de asiento	8
3.3 Batería y carga	9
3.4 Emergencia	11
<b>4 Instalación y ajuste</b>	<b>12</b>
4.1 Entrega	12
4.2 Montaje o desmontaje	12
4.3 Intercambio de baterías	16
<b>5 Mantenimiento</b>	<b>17</b>
5.1 Tiempo de mantenimiento	17
5.2 Envío y almacenamiento	18
5.3 Limpieza	18
5.4 Desinfección	19
5.5 Inspección	19
5.6 Vida útil prevista	19
5.7 Reutilizar	19
5.8 Fin de vida útil	20
<b>6 Solución de averías</b>	<b>21</b>
<b>7 Especificaciones técnicas</b>	<b>22</b>

## Introducción

¡Felicidades! Es usted el propietario de un elevador Vermeiren.

Este producto ha sido fabricado por personal experto y cualificado. Se ha diseñado y fabricado según los más altos estándares de calidad implementados por Vermeiren.

Le agradecemos su confianza en los productos Vermeiren. Le ofrecemos este manual para ayudarle en la utilización de su elevador y sus opciones de manejo. Léalo detenidamente. Le ayudará a familiarizarse con el manejo, las capacidades y limitaciones de su producto.

Si todavía tiene alguna duda después de leer este manual, contacte con su distribuidor especializado, estará encantado de ayudarle.

### **Nota importante**

Para garantizar su seguridad y prolongar la vida útil de su producto, cuídelo bien y asegúrese de realizar revisiones y mantenimientos de manera regular.

Este manual refleja los desarrollos más recientes del producto. Vermeiren se reserva el derecho a implementar cambios en este tipo de producto sin que ello suponga obligación alguna de adaptar o cambiar productos similares previamente entregados.

Las imágenes del producto están presentes para clarificar las instrucciones contenidas en este manual. Los detalles del producto mostrado pueden variar con su producto.

### **Información disponible**

En nuestro sitio web <http://www.vermeiren.com/> siempre encontrará la versión más reciente de la información en este manual. Consulte este sitio web de manera regular para estar al tanto de posibles actualizaciones.

Las personas con discapacidad visual pueden descargarse la versión electrónica del manual y utilizar un software de síntesis de voz para poder oír su contenido.



Este manual de usuario  
Para el usuario y el distribuidor especializado



Manual de mantenimiento  
Para el distribuidor especializado



Declaración CE de conformidad

# 1 Su producto



1. Botones para correas de montaje
2. Brazo basculante
3. Soporte de transporte para motor
4. Motor
5. Apoyo para piernas
6. Chasis
7. Estribos
8. Rueda
9. Soporte de transporte para brazo basculante
10. Batería
11. Parada de emergencia
12. Caja de control
13. Poste
14. Asidero de empuje
15. Manejo manual
16. Bloqueo abatible
17. Husillo de seguridad
18. Pedal de expansión del chasis
19. Rueda con freno

ES

## 2 Antes de su uso

### 2.1 Uso previsto

Este párrafo describe brevemente el uso previsto del elevador. También se incluyen avisos pertinentes a las instrucciones en otros párrafos. De esta manera se pretende avisar al usuario de un eventual mal uso del elevador.

- Indicaciones y contraindicaciones: Este elevador está pensado para que lo maneje un asistente para trasladar a pacientes sentados entre, por ejemplo, sillas de ruedas, camas de enfermería y baños. El elevador está diseñado y fabricado para ser una ayuda de transporte/transferencia para personas mayores o personas que sufren parálisis, pérdida o defectos de las extremidades, rigidez o daños en las articulaciones, problemas cardiovasculares, caquexia, ... Si se utiliza de forma adecuada, no se conocen contraindicaciones.
- Este elevador es apto para su uso en interiores.
- Este elevador está diseñado y fabricado exclusivamente para transportar a una (1) persona con un peso máximo de 150 kg. No está diseñada para transportar mercancías u objetos, o para otros usos que no sean los descritos anteriormente.
- Utilizar sólo accesorios y piezas de repuesto aprobadas por Vermeiren.
- Consulte todos los datos técnicos y las limitaciones del elevador en el capítulo 7.
- La garantía de este producto se basa en el uso y mantenimiento normales descritos en este manual. La garantía se invalida si el producto sufre cualquier daño causado por un uso indebido o falta de mantenimiento.

### 2.2 Instrucciones generales de seguridad

 **PRECAUCIÓN** Riesgo de lesiones y daños

Lea y siga las instrucciones contenidas en este manual. De no seguirlas, puede acabar lesionándose a sí mismo, o acabar rompiendo el elevador.

Tener en cuenta las siguientes advertencias durante su utilización:

- El elevador sólo debe ser manejado por personal cualificado que haya sido instruido o formado en su aplicación específica.
- No supere la carga máxima del elevador de pacientes. Esto desconectará la caja de control.
- En caso de que haya diferentes pesos de usuario para el elevador y el sistema de asiento, observe siempre el peso más bajo del usuario.
- Es necesario que un asistente esté presente durante la operación de elevación.
- Tener en cuenta que ciertas partes del elevador pueden llegar a calentarse o enfriarse demasiado a causa de la temperatura ambiente, la luz del sol o equipos de calefacción. Tener siempre cuidado al tocar el elevador.
- Se han realizado pruebas sobre la compatibilidad electromagnética del elevador, y cumple con los estándares. Aun así, es posible que un campo electromagnético influya en el funcionamiento del elevador, como los campos de teléfonos móviles, generadores eléctricos, o fuentes de alimentación de alta potencia. Por otro lado, los componentes electrónicos del elevador también pueden afectar a otros aparatos eléctricos.
- Utilice el elevador únicamente en superficies planas en las que todas las ruedas toquen el suelo y en las que haya suficiente contacto para manejar el elevador con seguridad. No tome obstáculos con el elevador mientras transfiere a un paciente.
- No utilice el elevador en entornos húmedos o mojados.
- No realizar alteraciones o sustituciones a los puntos de sujeción o a piezas o componentes del bastidor o estructurales sin antes consultar al fabricante del elevador.
- Asegurarse de que manos, ropa, cinturones, hebillas o joyas no queden atrapados por las ruedas u otras piezas móviles durante su uso.



- Tenga cuidado con las fuentes de ignición, como los cigarrillos encendidos, ya que pueden incendiar el sistema de asiento.

En caso de que se produzca un incidente grave con su producto, notifique a Vermeiren o a su distribuidor especializado, así como a la autoridad competente de su país.

**ES**



## 3 Utilizar el elevador

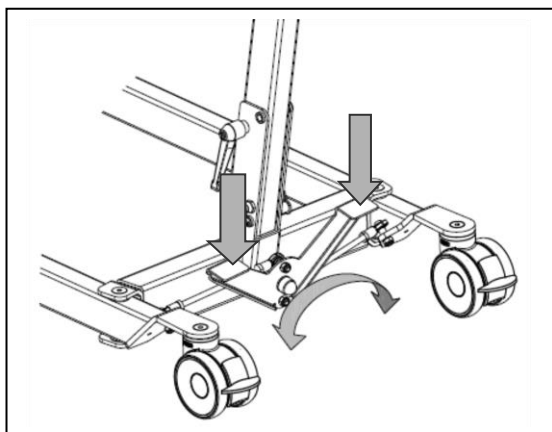
### 3.1 Manejo del elevador

 **PRECAUCIÓN** Riesgo de lesiones y daños

- Tenga en cuenta que, para usar el elevador, debe tener suficiente espacio a los lados del elevador y sobre éste, ya que de lo contrario, al moverse las funciones de ajuste pueden causar daños o lesiones.
- Vigile siempre el brazo de elevación para evitar lesiones.
- Sólo se pueden emplear sistemas de asiento aprobados y previstos para el elevador de pacientes (véanse las instrucciones de uso de los sistemas de asiento correspondientes). Si usa otros sistemas de asiento, será por su propio riesgo.
- Utilice únicamente los asideros para empujar/tirar de la grúa de paciente, ningún otro componente.

Tenga en cuenta las especificaciones técnicas por las que se debe regir el elevador de pacientes. El manejo del elevador de pacientes se debe encomendar exclusivamente a personas autorizadas formadas en su uso y manejo.

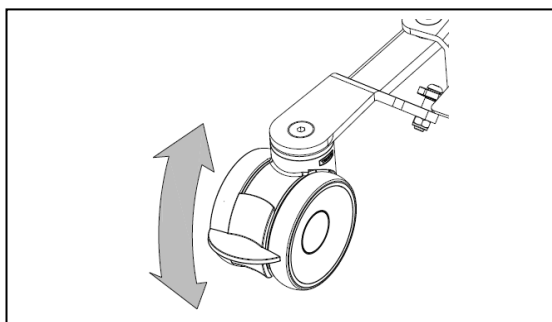
#### 3.1.1 Extensión del chasis



Para conectar al elevador una silla de ruedas u otro elemento de asiento, así como para elevar la estabilidad del elevador, se puede incrementar la distancia del brazo del chasis.

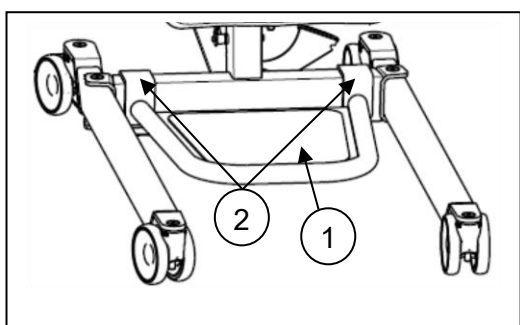
Sitúese detrás del elevador montado y sujete los asideros de empuje del elevador de pacientes (a izquierda y derecha, junto a la caja de control). Con un pie, presione ligeramente el pulsador basculante situado en la parte inferior del chasis (izquierda o derecha) y podrá aumentar o reducir la distancia del brazo del chasis.

#### 3.1.2 Frenos de estacionamiento



Fije las dos ruedas posteriores del chasis presionando ligeramente hacia abajo los pedales de freno con la punta del pie hasta que queden encastrados. Para soltar los frenos, vuelva a presionar ligeramente los pedales con la punta del pie hacia arriba hasta que las ruedas queden libres.

#### 3.1.3 Estribos

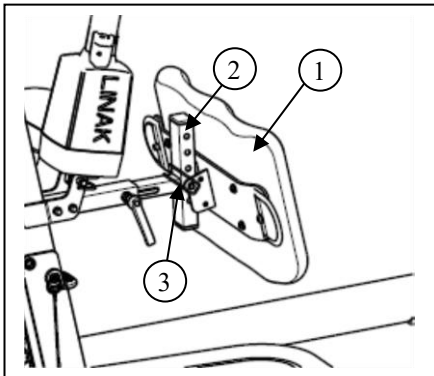


Los estribos ① se pueden montar o desmontar con los ganchos ② al/del chasis del elevador de pacientes.

### 3.1.4 Apoyo para piernas

**PRECAUCIÓN** Riesgo de lesiones

- No deje caer los estribos sobre el paciente al ajustarlos.

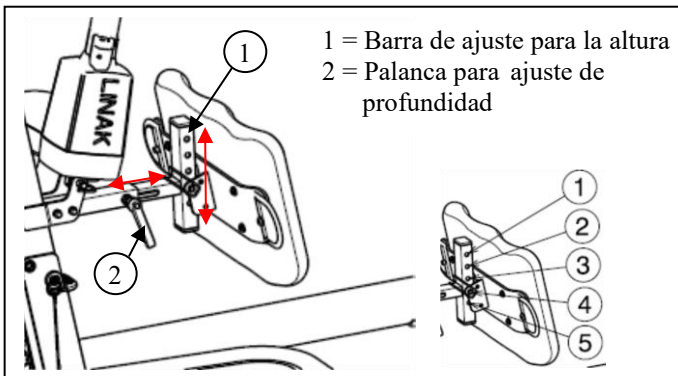


El apoyo para piernas ① se puede montar en la barra del elevador de pacientes ② con el perno de seguridad ③.

El apoyo para piernas está destinado a mantener las piernas del paciente en la posición correcta y utilizarse como apoyo para las piernas del paciente cuando este se ponga de pie.

ES

Los apoyos para piernas se pueden ajustar en profundidad y a 5 alturas diferentes.



Altura del estribo a la parte superior del apoyo para piernas	Posición
520 mm	Orificio 1
495 mm	Orificio 2
470 mm	Orificio 3
445 mm	Orificio 4
420 mm	Orificio 5

### 3.1.5 Subir y bajar el brazo basculante

El control manual permite ajustar gradualmente el brazo basculante en cualquier punto.

- ① = Levantar la brazo basculante
- ② = Bajar la brazo basculante

Al usar la función de elevación hasta el extremo del motor elevador, el sistema electrónico activa el interruptor limitador (función de seguridad). Emplee la función de elevación únicamente en el centro del rango de ajuste.



### 3.1.6 Mover el elevador de pacientes

**PRECAUCIÓN** Riesgo de lesiones

- Tenga cuidado al pasar por lugares estrechos (p. ej. puertas).
  - Sitúese detrás del elevador de pacientes y sujete los asideros (a izquierda y derecha, junto a la caja de control) con las dos manos.
  - Asegúrese de que los dos frenos de las ruedas traseras estén sueltos.
  - Desplace lentamente el elevador de pacientes hasta la posición deseada.

Si no lleva carga, recomendamos que mueva el elevador de pacientes hacia atrás, para superar los obstáculos (como umbrales, esquinas o muebles) con mayor facilidad.

### 3.1.7 Gire el elevador alrededor de su eje

 PRECAUCIÓN Riesgo de lesiones

- Tenga cuidado de que no haya personas u objetos en el rango de oscilación del elevador.
  - Gire el elevador con cuidado y lentamente alrededor de su eje, para que el paciente no pueda salirse.
1. Abra las patas del elevador para darle más estabilidad.
  2. Active los frenos.
  3. Coloque al paciente en el elevador con el sistema de asiento adecuado. (consulte el manual del sistema de asiento para ver las instrucciones de colocación del paciente en el elevador).
  4. Eleve al paciente desde el suelo, la silla, la cama,...
  5. Afloje los dos frenos de las ruedas traseras.
  6. Colóquese detrás del elevador y agarre con ambas manos los asideros (izquierda y derecha junto a la caja de control).
  7. Ahora gire el elevador con cuidado, lentamente alrededor del mismo lugar. Tenga cuidado de no tocar ningún objeto con las patas del elevador.
  8. Cuando esté girado en la posición buena, puede levantar al paciente.

## 3.2 Sistema de asiento

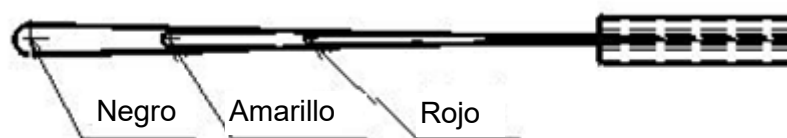
 PRECAUCIÓN Riesgo de lesiones

- Use solo Eagle arneses adecuados para los pacientes.
- No utilice arneses dañados.
- Lea primero el manual completo de los sistemas de asiento.
- Utilice únicamente arneses compatibles aprobados por Vermeiren.

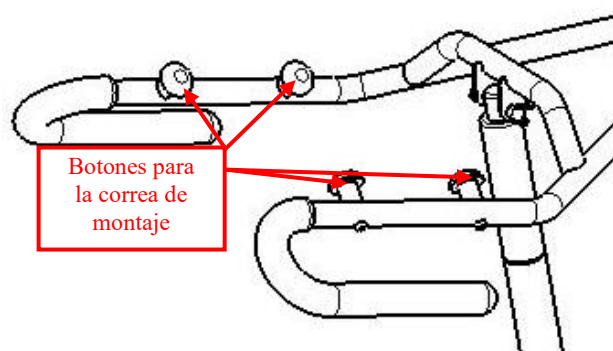
### 3.2.1 Fijación a los botones del elevador de pacientes

El sistema de asiento debe fijarse a través de las correas de montaje. Las correas de montaje quedarán suspendidas de botones del elevador de pacientes.

Las correas de montaje del sistema de asiento tienen tres ojales de diferentes colores.



*Correa de montaje del sistema de asiento*



*Botones del elevador de pacientes "Albatros"*

Gracias a los 3 ojales distintos se puede elevar a los pacientes desde diferentes longitudes.

Color	Descripción
Rojo	Pacientes altos; el paciente puede acercar las manos a los brazos de agarre del elevador de pacientes para contribuir activamente a levantarse.
Amarillo	Combinación
Negro	Pacientes bajos: el paciente es relativamente bajo en comparación con la altura de los botones.

### 3.3 Batería y carga

#### 3.3.1 Batería



La batería está encima de la caja de control y se puede sustituir con un sistema de clip integrado.

Voltaje primario	24 V CC
Temperatura ambiente	+5°C a +40 °C
Temperatura ambiente de almacenamiento	-10 °C a +40°C
Humedad relativa de almacenamiento	máx. 80% (sin condensación)
Conformidad	comprobada según IEC 60601-1

#### 3.3.2 Caja de control + cargador de batería incluido



La caja de control está diseñada con una parada de emergencia roja y un cargador de batería interno.

Voltaje primario	100 - 240 V CA / 50/60 Hz
Voltaje secundario (voltaje de carga)	24 V CC, máx. 250 V A
Corriente secundaria (corriente de carga)	máx. 10 A
Protecciones	Protegido contra polarización inversa, sobrecargas eléctricas y temperatura extrema
Temperatura ambiente	+5°C a +40 °C
Temperatura ambiente de almacenamiento	-10 °C a +40°C
Humedad relativa de almacenamiento	máx. 80% (sin condensación)
Conformidad	comprobada según IEC 60601-1

Derechos de modificación reservados.

### 3.3.3 Cargador externo (OPCIONAL)



El cargador externo se debe montar en la pared. El cargador permite cargar la batería de repuesto (opcional) para no tener que esperar a que se carguen las baterías para poder utilizar el elevador de pacientes.

Voltaje primario	100 - 240 V CA / 50/60 Hz
Corriente de carga	máx. 650 mA
Temperatura ambiente	+5°C a +40 °C
Temperatura ambiente de almacenamiento	-10 °C a +40°C
Humedad relativa de almacenamiento	máx. 80% (sin condensación)

### 3.3.4 Carga de las baterías

Use solo la caja de control con el cargador de batería incluido en Albatros o el cargador externo pensado para montarse en la pared.

Se recomienda recargar las baterías regularmente para asegurarse de que el elevador siga operativo y para ampliar la vida útil de las baterías. La caja de control emitirá un sonido de advertencia para indicarle que la batería está baja.

#### **Primer uso**

Inserte primero el cable de alimentación por el lado del conector en el conector adecuado de la caja de control. El lado del enchufe del cable de alimentación se debe insertar en la toma de pared. La carga dura unas 24 horas.

#### **Recarga**

**⚠ ADVERTENCIA: Riesgo de lesiones: no utilice el elevador con el cable de alimentación conectado a la toma de pared.**

Cuando la batería se está agotando, la mitad del LED verde parpadeará y se oirá un único pitido cuando se active el elevador.

Si el LED parpadea y se oye un pitido continuo, sólo quedan dos ciclos en la batería.



Cuando las baterías se están cargando, la mitad del LED se iluminará en verde. La batería está completamente cargada cuando el LED está completamente verde.

Una vez finalizado el proceso de recarga, debe desconectar siempre en primer lugar el cable de alimentación de la toma de pared y luego el enchufe del conector de la caja de control.

No utilice el elevador mientras se está recargando.

Si las baterías no se usan durante un período considerable de tiempo, se descargan solas lentamente (descarga profunda). En estos casos, es imposible recargarlas con el cargador de baterías suministrado. Por tanto, es necesario recargarlas como mínimo una vez al mes aunque no se utilicen.

## 3.4 Emergencia

En casos de emergencia, se deben usar la parada de emergencia y la función de bajada de emergencia.

### 3.4.1 Parada de emergencia

En caso de emergencia y durante el montaje y desmontaje, la parada de emergencia se activa presionando el botón rojo de la caja de control.

el botón y gire en la dirección de las flechas. Si el botón está completamente presionado hacia atrás, gire en la dirección opuesta a las flechas.

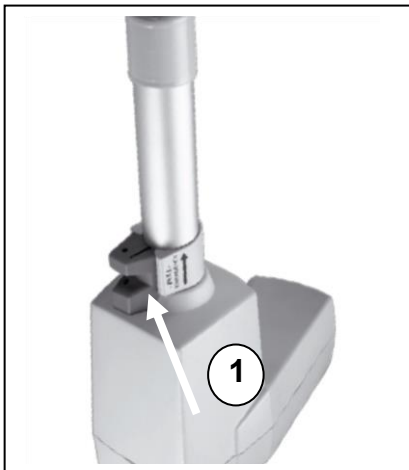
La parada de emergencia se desactiva girando el botón rojo en la dirección de las flechas.



ES

### 3.4.2 Bajada de emergencia manual

**⚠ ADVERTENCIA: Riesgo de lesiones: ajuste la bajada de emergencia manual para el peso del paciente.**



En caso de corte del suministro eléctrico o cuando las baterías estén vacías, la bajada de emergencia se puede realizar por medio del tirador rojo ① del extremo inferior del motor. Esta bajada de emergencia está configurada de fábrica para un peso del paciente de 75 kg.

Calibración estándar: 3000N, 16 mm/s para bajar el paciente.

Tenga en cuenta que la bajada de emergencia manual solo es posible cuando el paciente está sentado en el elevador de pacientes.



## 4 Instalación y ajuste

El elevador se entrega completamente montado por su distribuidor especializado.

**Este capítulo contiene instrucciones destinadas a los distribuidores especializados.**

**ES**

Para encontrar un centro de servicio o un distribuidor especializado cerca de usted, póngase en contacto con el centro Vermeiren más próximo.

**⚠ ADVERTENCIA: Riesgo por cotos peligrosos – Utilice únicamente los cotos indicados en este manual.**

### 4.1 Entrega

El elevador de pacientes Vermeiren Albatros se entrega con:

- chasis y 4 ruedas (2 con frenos)
- poste con asideros de empuje
- brazo basculante con accesorio para arnés
- caja de control (+ cargador de batería incluido)
- batería
- control manual
- Motor
- manual de instrucciones
- estribo
- apoyo para piernas

Antes de utilizarlo, compruebe que ha recibido todo el material y que no ha sufrido ningún daño (por culpa del transporte u otro motivo).

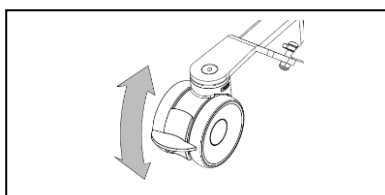
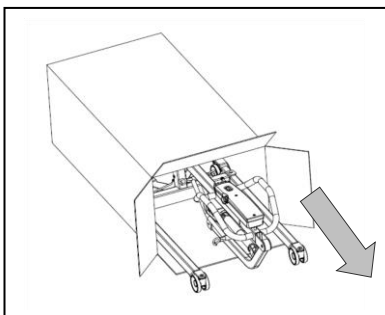
Tenga en cuenta que la configuración básica puede variar de un país de Europa a otro. Póngase en contacto con el distribuidor especializado de su país para obtener más información.

### 4.2 Montaje o desmontaje

#### 4.2.1 Desembalaje

**⚠ ADVERTENCIA: Riesgo de lesiones: después de desembalar y antes de continuar con el montaje, compruebe siempre que el botón de parada de emergencia (pulsador rojo de la caja de control) esté presionado.**

El embalaje del elevador de pacientes se ha seleccionado para garantizar una protección óptima durante el transporte.

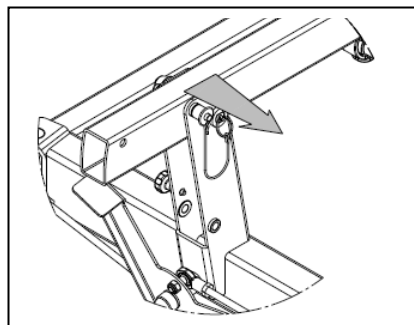


1. Saque el elevador de pacientes de la caja y compruebe que están todos los elementos y que ninguna pieza presente defectos visibles. Si detecta daños, diríjase a su sucursal distribuidora.
2. Antes de montar el elevador, active los frenos de las ruedas para que no se mueva inesperadamente. Presione ligeramente con la punta del pie sobre la placa de freno de las ruedas hacia abajo, hasta que se bloqueen. Para soltar el freno, vuelva a presionar ligeramente con la punta del pie hacia arriba hasta que las ruedas queden libres.

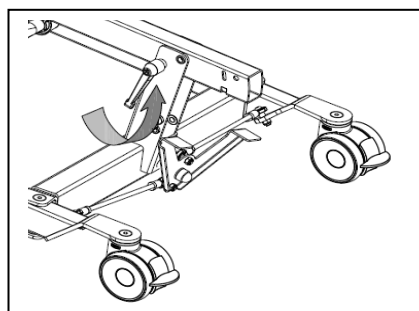


## 4.2.2 Montaje

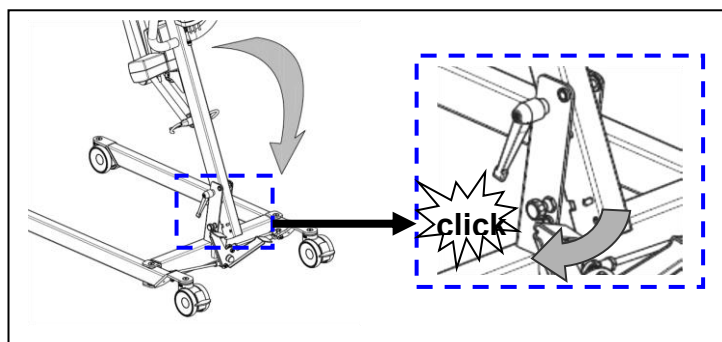
**⚠ ADVERTENCIA: Riesgo de aplastamiento: tenga cuidado de no atrapar, aplastar ni cortar ninguna parte del cuerpo o cable durante el montaje.**



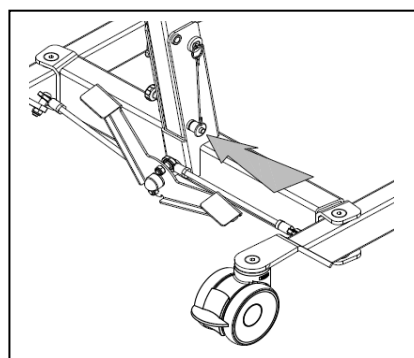
1. Retire el eje de sujeción (eje insertado) en la parte inferior del mástil, presionando ligeramente el pulsador en el extremo del eje. El eje de sujeción sólo se puede sacar un poco.



2. Suelte ligeramente el seguro de transporte (tornillo de muletilla); ahora puede levantar el mástil.

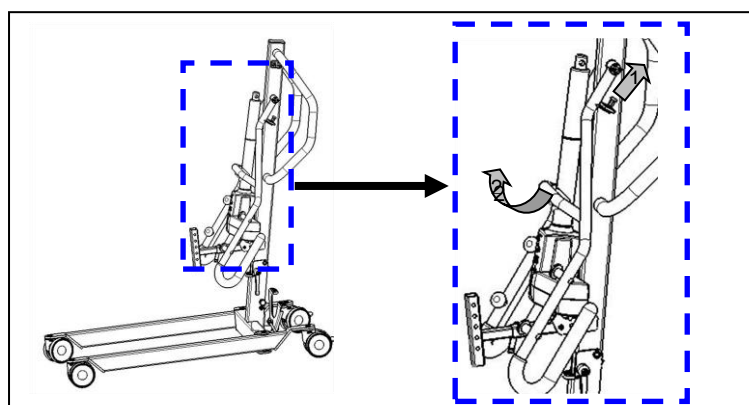


- 2.a Al colocar el mástil en su posición, puede oír como encastra el seguro de soporte (tornillo de tracción).



3. **⚠ ADVERTENCIA: Riesgo de lesiones – Asegúrese de que el eje de sujeción esté correctamente insertado.**

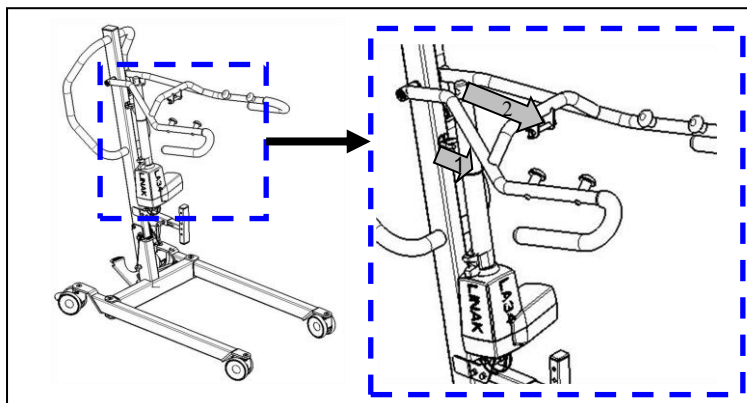
Asegure el mástil desplazando el eje de sujeción en el extremo del mástil con el pulsador presionado hasta que se asome por el otro extremo. Suelte el pulsador del eje de sujeción y compruebe si se puede sacar de nuevo.



4. Retire el brazo basculante del extremo superior del poste (2). Para ello, deberá tirar del pasador (1).

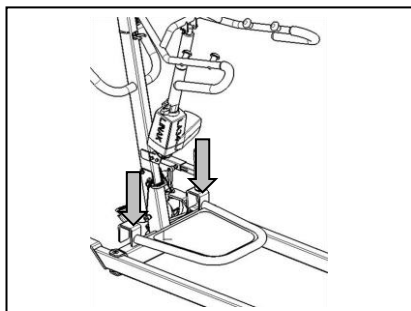
ES

ES

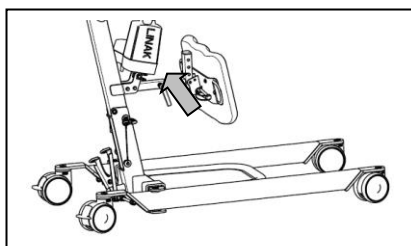


5. Retire el accionador con cuidado extrayendo el clip negro (1).

6. Monte el accionador en el brazo basculante bloqueando el perno (2). Tenga cuidado de colocar muy bien el accionador entre el brazo basculante.



7. Monte el estribo en el chasis del elevador de pacientes con los ganchos.

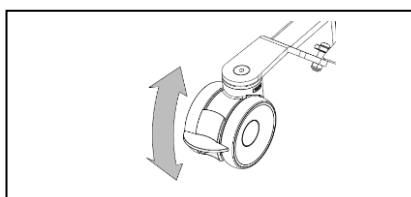


8. Monte el apoyo para piernas mediante el perno de bloqueo. Coloque el apoyo para piernas en la altura y profundidad deseadas.

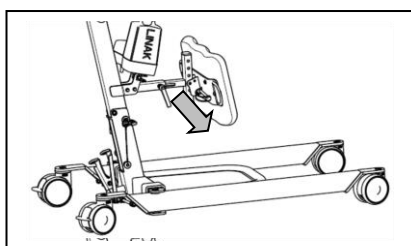
#### 4.2.3 Desmontaje

**⚠ ADVERTENCIA: Riesgo de aplastamiento: tenga cuidado de no atrapar, aplastar ni cortar ninguna parte del cuerpo o cable durante el desmontaje.**

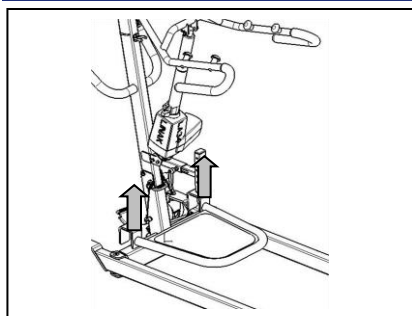
**⚠ ADVERTENCIA: Riesgo de lesiones: compruebe que el botón de parada de emergencia (pulsador rojo de la caja de control) esté activado para evitar movimientos de ajuste accidentales.**



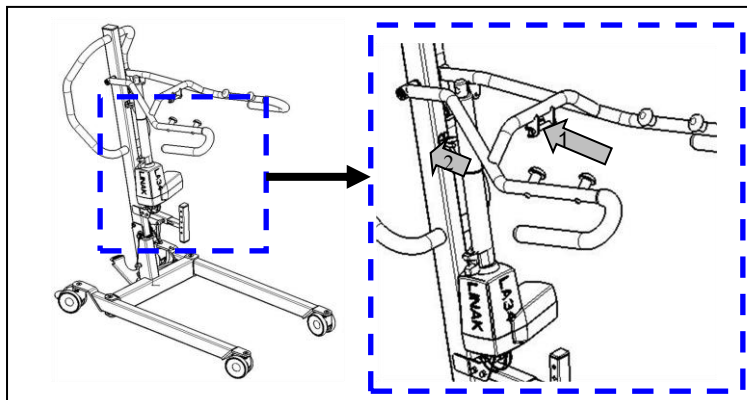
1. Fije las dos ruedas posteriores del chasis presionando ligeramente hacia abajo los pedales de freno con la punta del pie hasta que queden encastrados. Para soltar los frenos, vuelva a presionar ligeramente los pedales con la punta del pie hacia arriba hasta que las ruedas queden libres.



2. Extraiga el apoyo para piernas mediante el perno de bloqueo.

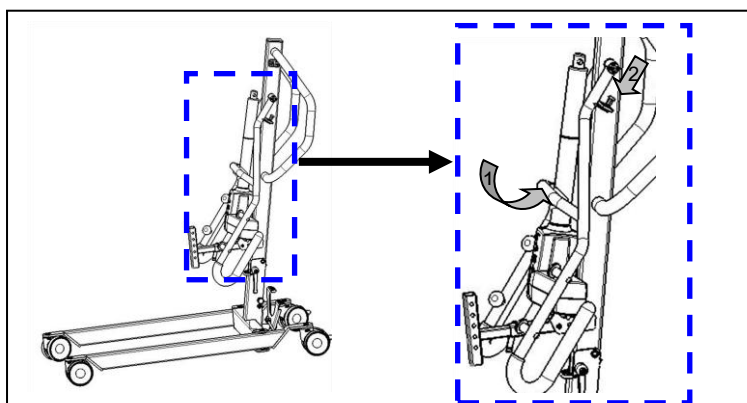


3. Extraiga el estribo del chasis del elevador de pacientes.

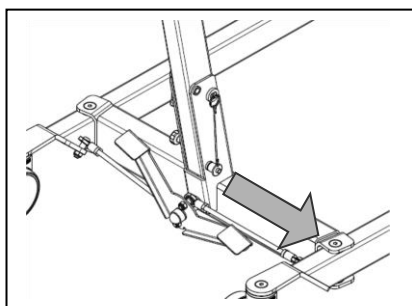


4. Desmonte el accionador (motor) del brazo basculante retirando el perno de bloqueo (1).

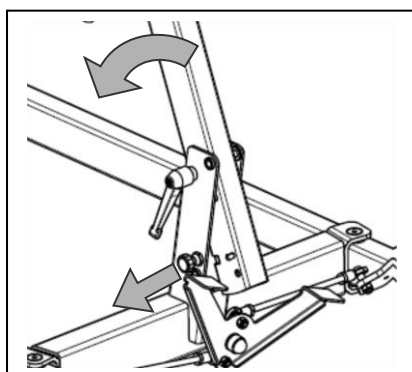
5. Mueva el accionador hasta la posición inferior y coloque el accionador en el clip negro (2).



6. Mueva el brazo basculante a la posición inferior (1). Sujete el perno en el extremo superior del poste, en el orificio del brazo basculante (2).



7. Retire el eje de sujeción (eje insertado) en la parte inferior del mástil, presionando ligeramente el pulsador en el extremo del eje. El eje de sujeción sólo se puede sacar un poco.

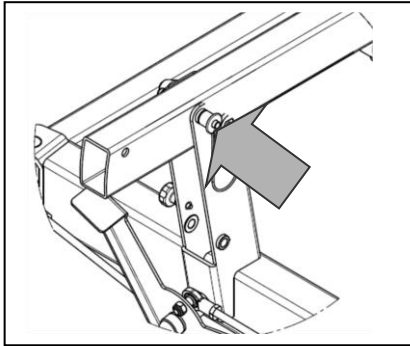


8. **⚠ ADVERTENCIA: Riesgo de lesiones – Con el mástil desbloqueado, debido a su peso, pueden originarse intensas fuerzas de caída.**

Tire del seguro de soporte (tornillo de tracción) hasta que el mástil se pueda abatir. Ahora puede abatir el mástil hacia delante.

Empuje el poste lo más adelante que pueda.

ES



**9. ⚠ ADVERTENCIA: Riesgo de lesiones – Asegúrese de que el eje de sujeción esté correctamente insertado.**

Asegure el mástil desplazando el eje de sujeción en el extremo del mástil con el pulsador presionado hasta que se asome por el otro extremo. Suelte el pulsador del eje de sujeción y compruebe si se puede sacar de nuevo.

### 4.3 Intercambio de baterías

- No asumimos responsabilidad alguna por los daños causados por el uso de una batería incorrecta.
- No use la batería a temperaturas inferiores a +5 °C o superiores a +50 °C (la temperatura ideal es de +20 °C).
- Al abrir las baterías se anula cualquier responsabilidad del fabricante, así como cualquier reclamación.



La batería del elevador de pacientes se puede sustituir mediante un sistema de clip integrado.

Para sustituir la batería, tire del sistema de clip integrado. La placa se levantará y se podrá extraer la batería del soporte (caja de control).

## 5 Mantenimiento

### 5.1 Tiempo de mantenimiento

 **PRECAUCIÓN** Riesgo de lesiones y daños

Cualquier reparación o cambios sólo pueden llevarse a cabo por personal debidamente cualificado y sólo pueden utilizarse piezas de recambio Vermeiren originales (véase el manual de mantenimiento).

- i** La última página de este manual contiene un formulario de registro para que el distribuidor especializado pueda registrar cada mantenimiento.

La frecuencia de los mantenimientos depende de la frecuencia e intensidad de uso. Póngase en contacto con su distribuidor para acordar un horario común para realizar inspecciones, mantenimientos y reparaciones.

Para consultar el manual de mantenimiento, visitar el sitio web de Vermeiren: [www.vermeiren.com](http://www.vermeiren.com).

#### *Antes de cada uso*

Inspeccionar los siguientes aspectos:

- Todas las piezas: presentes, sin daños ni desgastes.
- Todas las piezas: limpias, véase el §5.3
- Estado de las piezas del bastidor: sin deformaciones, inestabilidad, debilidad o conexiones sueltas
- Frenos: sin daños visibles y/o suciedad. Elimine la suciedad, ya que podría perjudicar el movimiento y el agarre de las ruedas. Si una rueda está dañada, acuda a un taller autorizado para su reparación.
- Caja de control, mando manual, cargador de baterías, cables correspondientes: no hay daños como cables deshilachados, rotos o expuestos. Compruebe que el ajuste eléctrico del brazo en voladizo funciona correctamente, utilizando el control manual.
- Estado de la batería: recargar la batería cuando sea necesario, véase el §3.3.

#### *Aprox. Cada 8 semanas*

En función de la frecuencia de uso, compruebe los siguientes puntos:

- Lubricación de las uniones articuladas en la pluma
- Estado de las ruedas
- Si hay algún daño visible en la carcasa, en la caja de control, en el cargador de baterías (si está disponible) o en el mando.
- ¿El estado de los cables es seguro para circular?
- recargar la batería

#### *Aprox. Cada 6 meses o para cada nuevo usuario*

En función de la frecuencia de uso, compruebe los siguientes puntos:

- Limpieza
- Estado general
- Función de las ruedas

En caso de resistencia excesiva al rodar, limpie las ruedas. Si no basta para arreglar el problema, póngase en contacto con su distribuidor especializado.

#### *Anualmente o más regularmente*

El elevador debe pasar por inspección y mantenimiento realizados por el distribuidor especializado por lo menos una vez al año, o más a menudo. La frecuencia mínima de mantenimiento depende del uso y debe, por tanto, acordarse mutuamente con el distribuidor especializado.

## 5.2 Envío y almacenamiento

- El transporte y almacenamiento debe llevarse a cabo según las especificaciones técnicas en §7. Asegurarse de que el elevador esté almacenado en un lugar seco.
- Evite que los cables se aplasten o se doblen con torceduras.
- Desconecte el elevador de pacientes de la toma de salida.
- Recubra y embale adecuadamente l'elevador de pacientes para protegerla del óxido y de cuerpos extraños. (p. ej. agua salada, aire del mar, arena, polvo, etc.).
- Almacene todas las partes desmontadas juntas en el mismo sitio (o identifíquelas si es necesario) para evitar mezclarlas con otros productos al volver a montar la silla (p. ej. cargador de baterías).
- Segúrese de que no hay objetos almacenados sobre o contra el elevador y sus componentes para evitar daños.

## 5.3 Limpieza

PRECAUCIÓN

Riesgo de daños por humedad

- No utilizar nunca una manguera o un limpiador a alta presión.
- Utilice un detergente comercial suave para retirar la suciedad rebelde.
- Las manchas se pueden eliminar con una esponja o un cepillo suave.
- No emplee líquidos agresivos de limpieza, como disolventes. Tampoco debe usar cepillos duros.

### 5.3.1 Piezas de plástico

Limpie las piezas de plástico de su elevador de pacientes con limpiadores de plástico comerciales. Lea la información específica del producto y use solo un cepillo o una esponja suave.

### 5.3.2 Recubrimiento

El elevador de pacientes está formado por componentes de acero. La alta calidad de los acabados de las superficies garantiza una protección óptima contra la corrosión. Si el revestimiento exterior presenta arañazos u otros daños, pida a su distribuidor especializado que repare la superficie afectada.

Durante la limpieza, utilice solo agua tibia y productos de limpieza normales, cepillos y paños suaves. Asegúrese de que no entra humedad en los tubos.

### 5.3.3 Carcasa de electrónica

**⚠ ADVERTENCIA: Riesgo de lesiones – Antes de realizar trabajos de mantenimiento, se debe activar la parada de emergencia, ya que de lo contrario se pueden producir desplazamientos inesperados.**

El panel de control, la carcasa del motor y el mando manual se deberán limpiar únicamente con un paño húmedo con un poco de limpiador doméstico. No utilice materiales de pulimento ni utensilios de limpieza con bordes cortantes (esponja de metal, cepillos, etc.), ya que la superficie el mando del operador se puede rayar, dañándose así la protección contra las salpicaduras.

Compruebe regularmente que las conexiones insertables no estén corroídas ni dañadas, puesto que esto puede mermar la funcionalidad de la electrónica.

El fabricante no asume ningún tipo de responsabilidad por la falta de cuidados.



## 5.4 Desinfección

Todas las partes de l'elevador de pacientes se pueden limpiar frotando con un desinfectante comercial. Siga las instrucciones del desinfectante.

Las instrucciones de lavado de los arneses se encuentran en el manual del arnés y en la etiqueta de cada arnés.

## 5.5 Inspección

En principio recomendamos una inspección anual y, una como mínimo, cuando finaliza el uso. Todas las verificaciones que se indican a continuación deben ser realizadas y documentadas por personal autorizado:

- Compruebe el cableado (especialmente, verifique la ausencia de aplastamientos, desgastes o cortes en las partes visibles del aislamiento de los hilos, núcleos metálicos visibles, pliegues, cambios de color de la capa exterior, secciones frágiles, así como la correcta posición para evitar efectos mecánicos como cortes o aplastamientos).
- Inspeccione visualmente el estado de las partes del bastidor para detectar posibles deformaciones y/o desgastes del plástico (bastidor, suspensión del motor, brazo basculante, abrazadera de ampliación).
- Verifique visualmente el estado de la pintura (peligro de corrosión).
- Inspeccione visualmente todas las carcasas para detectar posibles daños o tornillos sueltos.
- Verifique la cantidad de grasa en las juntas metálicas de las partes móviles.
- Verifique visualmente la ausencia de roturas y puntos frágiles en todas las piezas de plástico.
- Revise la corriente de descarga residual de la caja de control (incluido el cargador) (A) según VDE 0702.
- Revise la resistencia de aislamiento de la caja de control (incluido el cargador) (MO) según VDE 0702.
- Compruebe que el brazo basculante funcione (lubricación de las piezas de unión, rango de ajuste, deformación y desgaste).
- Compruebe el funcionamiento de los elementos de circulación (en un recorrido de prueba → ruidos, velocidad, desplazamiento libre, etc.), si es necesario: mida el rendimiento, primero sin carga y después con la carga nominal ("SWL"), para estudiar el desgaste y la abrasión de los motores comparando los valores de la corriente eléctrica con los valores en el momento de la entrega.
- Prueba de funcionamiento de la parada de emergencia.
- Prueba de funcionamiento de la bajada de emergencia.
- ¿Se han suministrado todos los componentes? ¿Dispone de manual de instrucciones?

Las pruebas de medición sólo pueden ser realizadas por personas que dispongan de una formación relacionada con el elevador y que hayan sido instruidas por un electricista sobre los medios y procedimientos de prueba que se deben utilizar. La autorización para usar el elevador de pacientes ruedas después de realizadas las pruebas de medición o las medidas de mantenimiento sólo puede ser otorgada por un electricista.

Solo deberá firmar el plan de mantenimiento una vez se hayan verificado todos los aspectos mencionados anteriormente como mínimo.

## 5.6 Vida útil prevista

La vida útil media del elevador es de 8 años. La vida útil aumentará o disminuirá dependiendo de la frecuencia de uso, las circunstancias de conducción y el mantenimiento.

## 5.7 Reutilizar

Antes de reutilizar el elevador por otra persona, desinfectarla, inspeccionarla y hacer que pase por un mantenimiento según las instrucciones de este capítulo.





## 5.8 Fin de vida útil

Al final de la vida útil, deberá desechar el elevador siguiendo las leyes medioambientales de su localidad. Para transportar materiales reciclables del elevador de manera más cómoda, se recomienda que se desmonte primero.

ES

## 6 Solución de averías

Tabla 1: Solución de averías

Problema	Causa del problema	Solución del problema
Ruido en las partes móviles (por ejemplo, en el brazo basculante).	Lubricación necesaria.	Engrase las partes móviles. <b>(No engrase el accionador).</b>
El accionador hace un ruido extraño.	El accionador está dañado.	Sustituya el accionador o póngase en contacto con el distribuidor especializado.
El elevador de pacientes no se eleva.	<ol style="list-style-type: none"> <li>1. El accionador eléctrico está dañado.</li> <li>2. El peso del usuario es demasiado elevado (el LED de estado del sistema parpadea y se oyen dos pitidos).</li> <li>3. El control manual o el accionador no está conectado.</li> <li>4. La batería no está conectada o está mal conectada a la caja de control.</li> <li>5. Batería demasiado baja.</li> <li>6. Parada de emergencia activada (el LED de estado del sistema está encendido).</li> </ol>	<ol style="list-style-type: none"> <li>1. Sustituya el accionador.</li> <li>2. Utilice el elevador de pacientes con un peso de usuario máximo más elevado.</li> <li>3. Revise las conexiones. En caso necesario, conecte el control manual o accionador.</li> <li>4. Verifique que la batería esté instalada o compruebe la conexión de la batería.</li> <li>5. Cargue o sustituya las baterías.</li> <li>6. Desactive la parada de emergencia.</li> </ol>
La bajada de paciente en caso de emergencia no funciona.	Para bajar el paciente es necesaria una carga de peso mínima.	Si el peso del paciente es demasiado bajo, tire ligeramente por los brazos basculantes o ajuste la velocidad de bajada.
No se puede cargar la batería.	<ol style="list-style-type: none"> <li>1. Las baterías no están bien insertadas en la caja de control.</li> <li>2. Cable de alimentación defectuoso.</li> <li>3. Baterías defectuosas.</li> <li>4. Defecto en la caja de control con cargador incluido o cargador.</li> </ol>	<ol style="list-style-type: none"> <li>1. Revise que las baterías estén conectadas a la caja de control.</li> <li>2. Cambie el cable de alimentación.</li> <li>3. Sustituya la batería.</li> <li>4. Sustituya la caja de control con cargador incluido o cargador.</li> </ol>

## 7 Especificaciones técnicas

ES

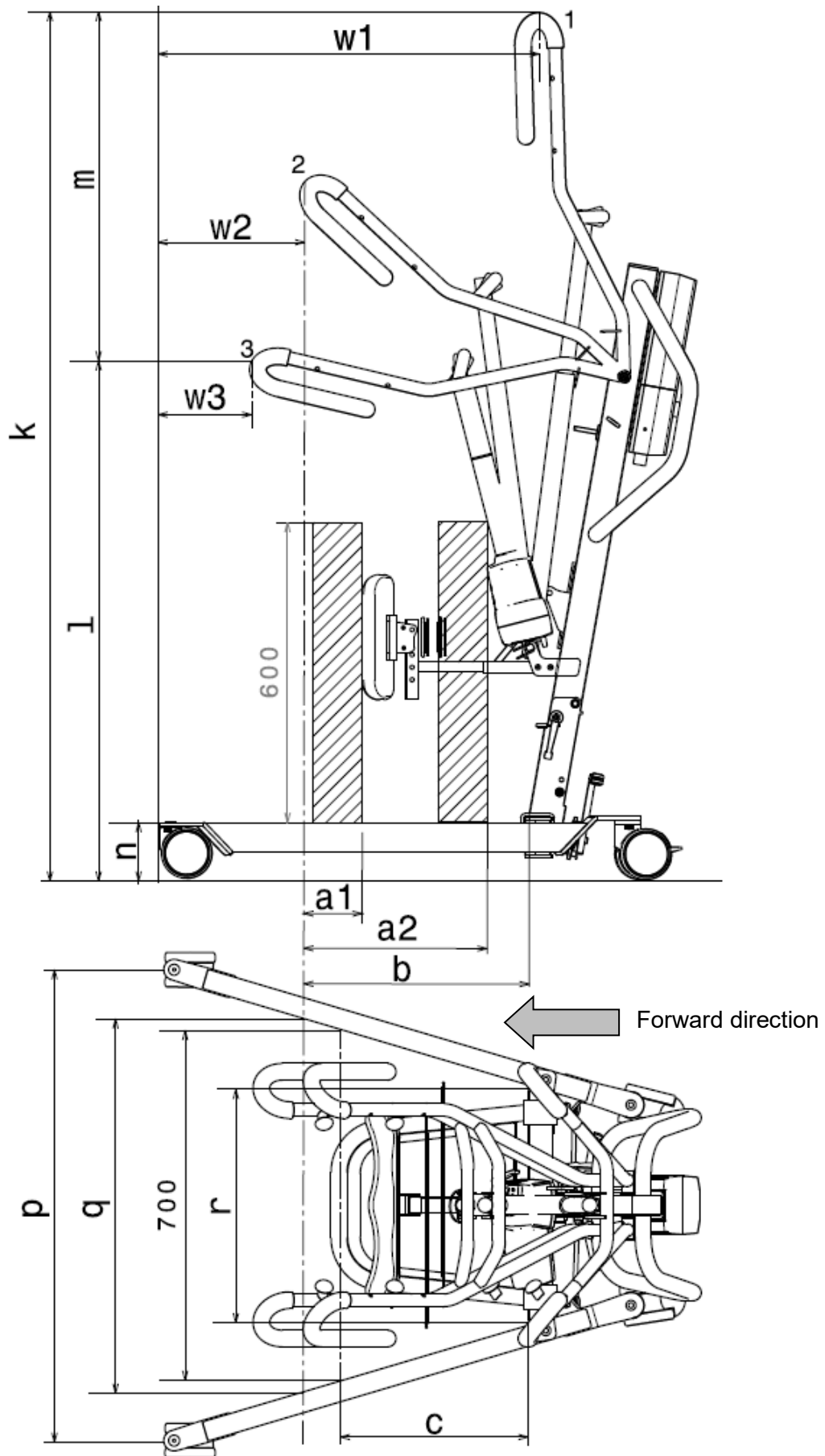


Tabla 2: Especificaciones técnicas

<b>Marca</b>	<b>Vermeiren</b>
<b>Tipo</b>	<b>Elevador de pacientes</b>
<b>Modelo</b>	<b>Albatros</b>

**ES**

Description	Dimensiones en el plano	Dimensions
Posición más baja ZAP*	l	1040 mm
Altura máxima ZAP*	k	1739 mm
Rango de elevación (altura alcanzada)	m	699 mm
Longitud del brazo		965 mm
Longitud total		1046 mm
Distancia mínima brazo	r	467 mm
Distancia máxima brazo	q	749 mm
Altura de las patas / altura del chasis	n	117 mm
Anchura total (cerrado), dimensiones exteriores		584 mm
Anchura total (abierto), ruedas delanteras	p	945 mm
Longitud plegada		1030 mm
Altura plegada		500 mm
Anchura plegada		584 mm
Distancia mín. entre la pared / CSP* (altura mínima)	w3	188 mm
Distancia mín. entre la pared / CSP* (alcance máximo)	w2	293 mm
Distancia mín. entre la pared / ZAP* (altura máxima)	w1	762 mm
Radio de giro		1133 mm
Peso total		44,85 kg
Peso del chasis + motor		34,15 kg
Peso de la batería		2,90 kg
Peso de los estribos		4,55 kg
Peso del apoyo para piernas		2,80 kg
Peso del accesorio del apoyo para piernas		0,40 kg
<b>Carga máxima</b>		<b>150 kg</b>
Altura libre, mínima		57 mm
Alcance máximo a 600 mm con apoyo para piernas	a1	100 mm
Alcance máximo a 600 mm sin apoyo para piernas	a2	368 mm
Anchura máxima desde el soporte	b	450 mm
Anchura máxima desde el soporte con una distancia de 700 mm	c	375 mm
Salida de tensión		24V ~ máx. 250 VA
Tensión de alimentación		120-240V ~ máx. 37-53 VA

<b>Marca</b>	<b>Vermeiren</b>
<b>Tipo</b>	<b>Elevador de pacientes</b>
<b>Modelo</b>	<b>Albatros</b>

**ES**

<b>Description</b>	<b>Dimensiones en el plano</b>	<b>Dimensions</b>
Potencia máxima consumida		máx. 350 mA
Temperatura de servicio		de +5 a +40°C
Humedad relativa		del 20% al 80% a 30°C - sin condensación
Nivel de ruido		< 50 dB(A)
Presión del aire		de 700 a 1060 hPa
Panel de control		Linak CAL40
Batería		Linak BAL40
Control manual		Linak HB3X0L0
Motor		Linak LA34 (7500N)
Clase de protección del panel de control		IPX4
Clase de protección de la batería		IPX5
Clase de protección del control manual		IPX5
Clase de protección del motor		IP54
Clase de aislamiento		II - Tipo B
Rendimiento		aprox. 40 elevaciones por carga
Velocidad de elevación/descenso		28 segundos
Modo periódico		máx. 10%, o 2 min. de servicio ininterrumpido/18 min. pausa
Capacidad de la batería		2.9 elevaciones
Parada de emergencia		Si
Bajada manual de emergencia		Si
Bajada eléctrica de emergencia		No
<b>Derechos de modificación reservados. Tolerancia de la medida +/- 15 mm/ 1,5 kg</b>		

1 = posición superior, 2 = alcance máximo, 3 = posición inferior

\* ZAP = Tope central

## Spis treści

<b>Spis treści</b> .....	<b>1</b>
<b>Wstęp</b> .....	<b>2</b>
<b>1 Państwa produkt</b> .....	<b>3</b>
<b>2 Przed użyciem</b> .....	<b>4</b>
2.1 Przewidziane zastosowanie .....	4
2.2 Ogólne instrukcje bezpieczeństwa .....	4
<b>3 Użytkowanie podnośnika pacjenta</b> .....	<b>6</b>
3.1 Obsługa podnośnika pacjenta .....	6
3.2 Siedzisko .....	8
3.3 Akumulator i ładowanie .....	9
3.4 Nagłe przypadki .....	10
<b>4 Montaż i regulacja</b> .....	<b>12</b>
4.1 Dostawa .....	12
4.2 Montaż lub demontaż .....	12
4.3 Wymiana akumulatora .....	16
<b>5 Konserwacja</b> .....	<b>17</b>
5.1 Czas konserwacji .....	17
5.2 Wysyłka i Przechowywanie .....	17
5.3 Czyszczenie .....	18
5.4 Dezynfekcja .....	18
5.5 Kontrola .....	19
5.6 Przewidywany okres użytkowania .....	19
5.7 Ponowne użycie .....	19
5.8 Koniec użytkowania .....	19
<b>6 Diagnozowanie i rozwiązywanie problemów</b> .....	<b>20</b>
<b>7 Parametry techniczne</b> .....	<b>21</b>

## Wstęp

Gratulacje! Zostałeś właścicielem podnośnika pacjenta Vermeiren!

Produkt ten został wykonany przez wykwalifikowany i zaangażowany personel. Zaprojektowano i wyprodukowano go zgodnie z wysokimi standardami jakości, jakich przestrzega Vermeiren.

Dziękujemy za zaufanie firmie Vermeiren i jej produktom. Niniejsza instrukcja pomoże właścicielowi w eksploatacji podnośnika pacjenta i korzystaniu z jego opcji. Prosimy o uważne przeczytanie instrukcji obsługi. Pozwoli ona na zapoznanie się z działaniem, możliwościami i ograniczeniami produktu.

W razie pytań, które nie zostały omówione w instrukcji, prosimy o kontakt z Państwa wyspecjalizowanym sprzedawcą. Sprzedawca chętnie służy pomocą w tym zakresie.

### **Ważna uwaga**

Aby zapewnić bezpieczeństwo i wydłużyć okres użytkowania produktu, prosimy o dbanie o niego oraz regularne dokonywanie przeglądów i serwisowanie.

Instrukcja obejmuje najnowsze rozwiązania zastosowane w produkcie. Firma Vermeiren ma prawo do wprowadzania zmian w produktach tego typu bez obowiązku adaptowania lub wymiany podobnych, poprzednio dostarczonych produktów.

Ilustracje stanowią dodatkowe objaśnienia do niniejszej instrukcji. Szczegóły przedstawionego produktu mogą różnić się od Państwa produktu.

### **Dostępne informacje**

W naszej witrynie internetowej <http://www.vermeiren.com/> our website <http://www.vermeiren.com/> zawsze można znaleźć najnowszą wersję następujących informacji. Prosimy regularnie odwiedzać witrynę, ponieważ możemy w niej zamieszczać zaktualizowane informacje.

Osoby niewidome lub niedowidzące mogą pobrać elektroniczną wersję niniejszej instrukcji i odsłuchać ją w aplikacji syntezy mowy.



Niniejsza instrukcja użytkownika  
Dla użytkownika i wyspecjalizowanego sprzedawcy



Instrukcja serwisowa  
Dla wyspecjalizowanego sprzedawcy



Deklaracja zgodności WE



## 1 Państwa produkt



1. Zaczepy pasków mocujących
2. Ramię wspornika
3. Uchwyt transportowy do silnika
4. Silnik
5. Podpórka pod nogi
6. Podwozie
7. Podnóżek
8. Kółko
9. Uchwyt transportowy do ramienia wspornika
10. Akumulator
11. Przycisk awaryjny
12. Skrzynka sterująca
13. Słupek
14. Uchwyt do prowadzenia podnośnika
15. Sterowanie ręczne
16. Składana blokada
17. Blokada zabezpieczająca
18. Pedał rozsuwania podwozia
19. Kółko z hamulcem

PL

## 2 Przed użyciem

### 2.1 Przewidziane zastosowanie

W niniejszej sekcji przedstawiono krótki opis przewidzianego zastosowania podnośnika pacjenta. W pozostałych sekcjach instrukcje zostały opatrzone istotnymi ostrzeżeniami. W ten sposób chcemy zwrócić uwagę użytkowników na możliwość nieprawidłowej eksploatacji produktu.

- Wskazania i przeciwwskazania: Podnośnik pacjenta jest przeznaczony do obsługi przez osobę towarzyszącą w celu przenoszenia pacjentów siedzących, np. pomiędzy wózkami inwalidzkimi, łózkami pielęgniackimi i łazienkami. Podnośnik pacjenta został zaprojektowany i wyprodukowany jako pomoc w transporcie/przenoszeniu osób starszych lub osób, które cierpią na paraliż, utratę lub ubytki kończyn, sztywne lub uszkodzone stawy, problemy z układem krążenia, wyniszczenie organizmu, ... . Przy odpowiednim zastosowaniu nie są znane żadne przeciwwskazania.
- Ten podnośnik pacjenta jest przeznaczony do użytku w pomieszczeniach i na zewnątrz.
- Ten podnośnik pacjenta jest zaprojektowany i produkowany do transportu wyłącznie jednej (1) osoby ważącej maksymalnie 150 kg. Nie jest przeznaczony do transportu towarów, przedmiotów ani innego wykorzystania niż wcześniej opisane.
- Używać wyłącznie akcesoriów i części zapasowych zatwierdzonych przez Vermeiren.
- Należy się zapoznać ze wszystkimi danymi technicznymi i ograniczeniami podnośnika pacjenta, które wskazano w rozdziale 7.
- Gwarancja na produkt jest udzielona przy założeniu normalnego użytkowania i konserwacji, opisanych w niniejszej instrukcji. Uszkodzenie produktu spowodowane nieprawidłową eksploatacją lub brakiem konserwacji spowoduje unieważnienie gwarancji.

### 2.2 Ogólne instrukcje bezpieczeństwa

**PRZESTROGA**

Ryzyko obrażeń i/lub uszkodzeń

Należy przeczytać zalecenia podane w niniejszej instrukcji i postępować zgodnie z nimi. Niestosowanie się do tych zaleceń może spowodować uraz lub uszkodzenie podnośnika pacjenta.

Podczas eksploatacji należy pamiętać o następujących ogólnych ostrzeżeniach:

- Podnośnik pacjenta może być obsługiwany wyłącznie przez wykwalifikowany personel, który został poinstruowany lub przeszkolony w zakresie konkretnego zastosowania.
- Nie wolno przekraczać maksymalnego obciążenia podnośnika pacjenta. Spowoduje to wyłączenie skrzynki sterowniczej.
- W przypadku różnej wagi użytkownika podnośnika pacjenta i zawiesi zawsze należy przestrzegać najniższej wagi użytkownika.
- Podczas podnoszenia musi być obecna osoba towarzysząca.
- Należy pamiętać, że niektóre części podnośnika pacjenta mogą stać się bardzo gorące lub zimne ze względu na temperaturę otoczenia, promieniowanie słoneczne lub urządzenia grzewcze itp. Należy zachować ostrożność podczas ich dotykania.
- Podnośnik pacjenta został przetestowany pod kątem kompatybilności elektromagnetycznej. Zgodność z normą została potwierdzona. Niemniej jednak, źródła pól elektromagnetycznych, takie jak telefony komórkowe, agregaty prądowłórcze i źródła energii wielkiej mocy mogą zakłócić działanie podnośnika pacjenta. Z drugiej strony, układy elektroniczne podnośnika pacjenta mogą zakłócić działanie innych urządzeń elektronicznych.
- Podnośnika pacjenta należy używać wyłącznie na płaskich powierzchniach, gdzie wszystkie kółka dotykają podłoża i gdzie jest wystarczający kontakt, aby bezpiecznie obsługiwać podnośnik pacjenta. Podczas przenoszenia pacjenta nie należy pokonywać przeszkód za pomocą podnośnika pacjenta.
- Nie używać podnośnika pacjenta w środowisku mokrym lub wilgotnym.

- Bez konsultacji z producentem nie wolno w żaden sposób modyfikować ani wymieniać punktów bezpieczeństwa podnośnika pacjenta, części i elementów konstrukcyjnych i ramy.
- Zwracać uwagę, aby ręce, ubrania, pasy, klamry ani biżuteria nie zostały podczas eksploatacji pochwycone przez koła ani inne ruchome części.
- Należy uważać na źródła zapłonu, takie jak zapalone papierosy, ponieważ mogą one spowodować zapalenie się zawiesia.

W przypadku wystąpienia poważnego incydentu z udziałem produktu, należy powiadomić firmę Vermeiren lub specjalistycznego sprzedawcę, jak również właściwe władze w swoim kraju.



## 3 Użytkowanie podnośnika pacjenta

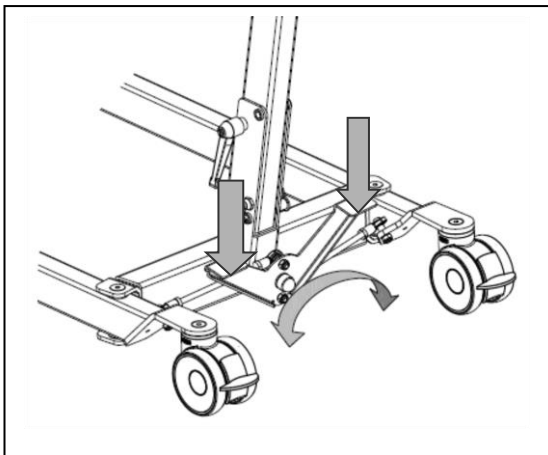
### 3.1 Obsługa podnośnika pacjenta

**⚠ OSTRZEŻENIE** Ryzyko urazów i/lub uszkodzeń

- Podczas korzystania z podnośnika należy upewnić się, że wokół i nad nim jest wystarczająco dużo miejsca, ponieważ w przeciwnym razie ruchy regulacyjne mogą doprowadzić do uszkodzeń lub obrażeń.
- Aby uniknąć obrażeń, należy zawsze zwracać uwagę na ramię podnoszące.
- Należy używać wyłącznie zawiesi zaprojektowanych i zatwierdzonych dla pacjentów (patrz instrukcje użytkowania różnych zawiesi). Korzystanie z innych zawiesi odbywa się na własne ryzyko.
- Do pchania/ciągnięcia podnośnika pacjenta należy używać wyłącznie uchwytów, nie wolno używać innych elementów.

Podczas obsługi podnośnika pacjenta należy uwzględnić dane techniczne. Podnośnik może być obsługiwany wyłącznie przez upoważniony do tego personel, który został przeszkolony w zakresie jego użytkowania i obsługi.

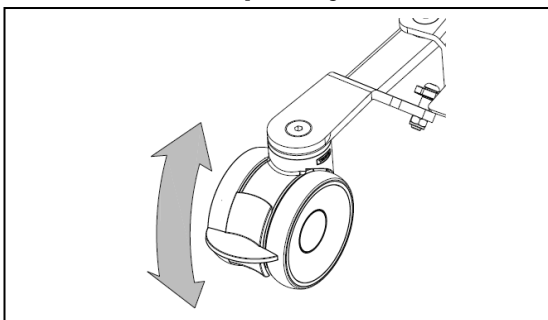
#### 3.1.1 Poszerzanie podstawy jezdnej



Istnieje możliwość zwiększenia rozstawu ramion jezdnych, dzięki czemu pacjent może siedzieć na wózku lub na innym sprzęcie, a podnośnik jest bardziej stabilny.

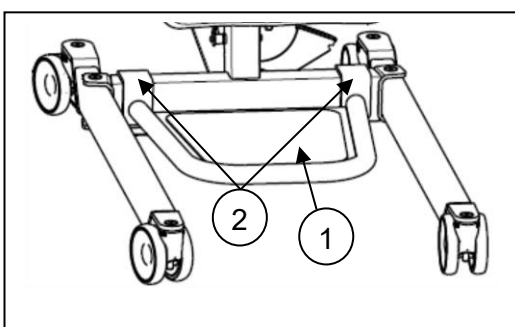
Należy stanąć za zmontowanym w pełni podnośnikiem i złapać za uchwyty do prowadzenia podnośnika (po lewej i prawej stronie, obok skrzynki sterującej). Naciśnij lekko w dół stopą wspornik znajdujący się w dolnej części podstawy jezdnej (z lewej lub z prawej strony). Rozstaw ramion podstawy jezdnej można teraz w łatwy sposób zmniejszyć lub zwiększyć.

#### 3.1.2 Hamulce postojowe



Zabezpiecz dwa kółka jezdne znajdujące się na tylnym końcu podstawy jezdnej, naciskając lekko w dół stopą pedał hamulca kółek jezdnych aż do momentu ich zablokowania. Aby zwolnić hamulec, naciskaj stopą pedał hamulca lekko w górę, aż do momentu odblokowania kółek jezdnych.

#### 3.1.3 Podnóżek

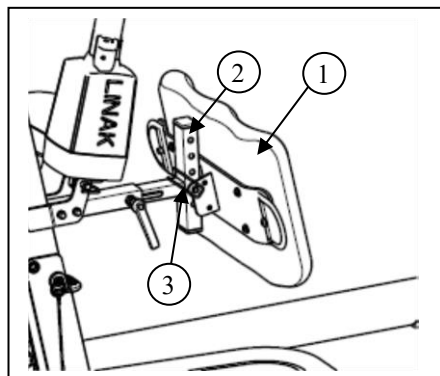


Podnóżek ① można zamontować lub usunąć z podwozia podnośnika za pomocą haków ②.

### 3.1.4 Podpórka pod nogi

**⚠ OSTRZEŻENIE** Ryzyko urazów

- Należy uważać, aby nie upuścić podpórki pod nogi na pacjenta podczas ustawiania.

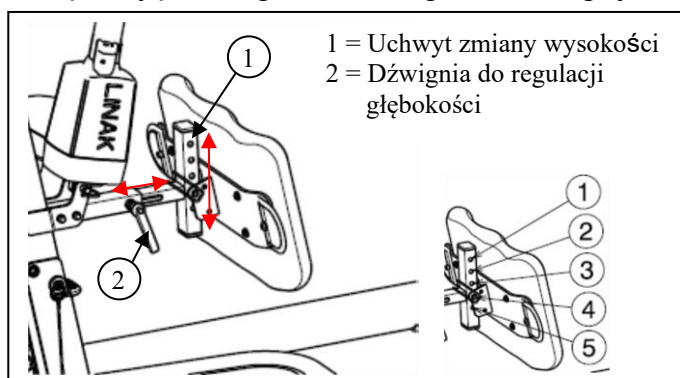


Podpórkę pod nogi ① można zamontować na poprzeczce podnośnika ② za pomocą zawlecзки zabezpieczającej ③.

Podpórka pod nogi ma utrzymywać nogi pacjenta w odpowiedniej pozycji i podpierać je w trakcie wstawania.

**PL**

Podpórkę pod nogi można regulować w głąb i ustawić 5 różnych wysokości.



Wysokość od podnóżka do górnej części podpórki	Pozycja
520 mm	Otwór 1
495 mm	Otwór 2
470 mm	Otwór 3
445 mm	Otwór 4
420 mm	Otwór 5

### 3.1.5 Podnoszenie i obniżanie ramienia wspornika

Możliwość ustawiania ręcznego pozwala łatwo ustawić ramię wspornika w dowolnym miejscu.

① = Podnoszenie wysięgnika

② = Obniżanie wysięgnika

W przypadku użycia podnośnika aż do końca przy silniku podnośnika, zostanie elektronicznie aktywowany wyłącznik krańcowy (funkcja zabezpieczająca). Podnoszenie należy wykonywać tylko na środkowych parametrach zakresu regulacji.



### 3.1.6 Przesuwanie podnośnika

**⚠ OSTRZEŻENIE** Ryzyko przytrzaśnięcia

- Zachowaj ostrożność podczas przejazdu przez ograniczone przestrzenie (np. drzwi).

- Należy stanąć za podnośnikiem i złapać obiema rękami za uchwyty (lewy i prawy, obok skrzynki sterującej).
- Upewnij się, że oba hamulce tylnych kół jezdnych są zwolnione.
- Przesuwaj podnośnik pacjenta powoli do żądanej pozycji.

Jeśli na podnośniku nie jest przewożony pacjent, można prowadzić podnośnik do tyłu. Pozwoli to na łatwe omijanie przeszkód (np. ościeżnic drzwiowych, rogów w pokojach lub mebli).

### 3.1.7 Obracanie podnośnika pacjenta wokół własnej osi

 **OSTRZEŻENIE** Ryzyko obrażeń

- Należy uważać, aby w zasięgu obrotu podnośnika pacjenta nie znajdowały się żadne osoby ani przedmioty.
  - Ostrożnie i powoli obróć podnośnik pacjenta wokół jego osi, tak aby pacjent nie mógł się wychylić.
1. Otwórz nogi podnośnika pacjenta, aby zapewnić mu większą stabilność.
  2. Uruchomić hamulce.
  3. Umieścić pacjenta w podnośniku pacjenta za pomocą odpowiedniego zawiesia. (instrukcje dotyczące umieszczania pacjenta w dźwigu znajdują się w instrukcji obsługi zawiesia).
  4. Podnieś pacjenta z ziemi, krzesła, łóżka, ... .
  5. Poluzować oba hamulce kół tylnych.
  6. Stanąc za podnośnikiem pacjenta i chwycić obiema rękami uchwyty (lewy i prawy obok skrzynki sterowniczej).
  7. eraz ostrożnie i powoli obróć podnośnik pacjenta w tym samym miejscu. Uważaj, aby nie dotknąć żadnych przedmiotów nogami podnośnika pacjenta.
  8. Po obróceniu w prawidłowej pozycji można podnieść pacjenta w dół.

## 3.2 Siedzisko

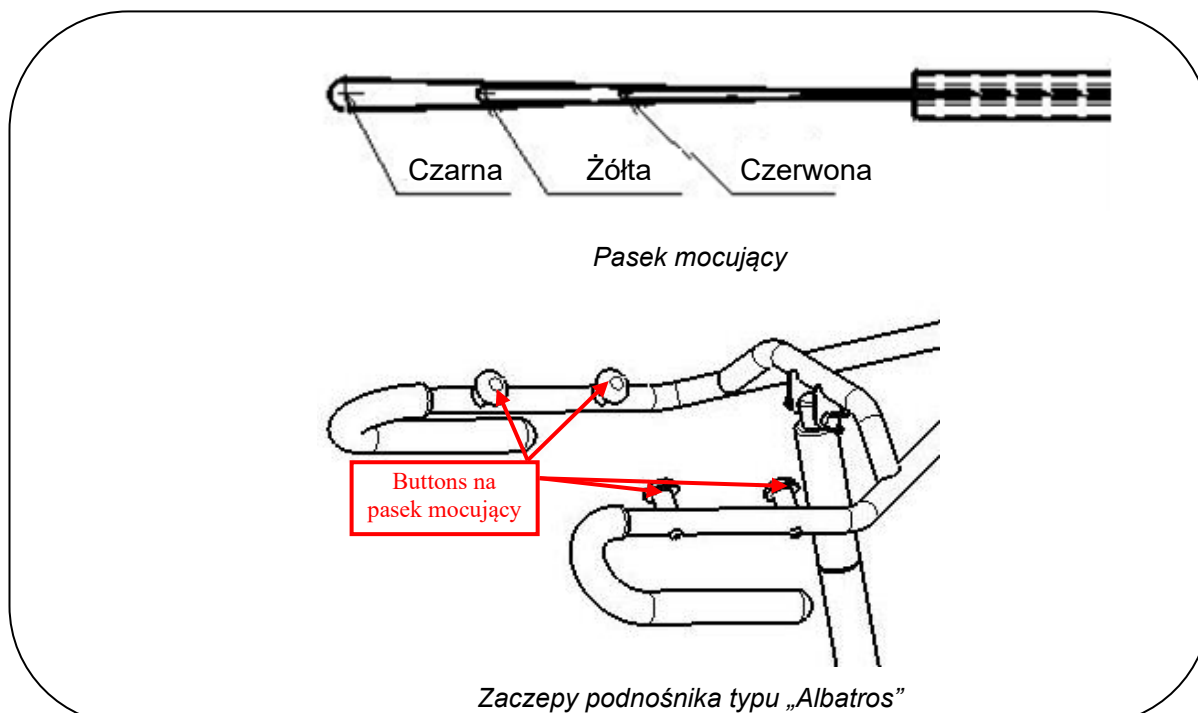
 **OSTRZEŻENIE** Ryzyko obrażeń

- Należy używać Eagle wyłącznie odpowiednich dla pacjentów pasów nośnych.
- Nie należy używać uszkodzonych pasów nośnych.
- Najpierw przeczytaj pełną instrukcję obsługi pasów.
- Używaj wyłącznie kompatybilnych zawiesi zatwierdzonych przez firmę Vermeiren.

### 3.2.1 Mocowanie na zaczepach podnośnika pacjenta

Pasy nośne należy umocować przy użyciu pasków mocujących. Paski mocujące należy zawiesić na zaczepach podnośnika.

Paski mocujące pasów nośnych są zakończone 3 pętlami w różnych kolorach.





Dzięki trzem dostępnym pętlom możliwe jest podniesienie pacjenta niezależnie od jego wzrostu.

Kolor	Opis
Czerwona	Dłonie wysokich pacjentów mogą zbliżyć się do uchwytów podnośnika, dzięki czemu tacy pacjenci będą mogli brać czynny udział w podnoszeniu się.
Żółta	Połączenie
Czarna	Niscy pacjenci: Pacjent jest stosunkowo niski w porównaniu do wysokości, na której znajdują się zaczepy.

### 3.3 Akumulator i ładowanie

#### 3.3.1 Akumulator



Akumulator umieszczony jest nad skrzynką sterującą i istnieje możliwość wymienienia go za pomocą zintegrowanego systemu zacisków.

Napięcie pierwotne	24 VDC
Dopuszczalna temperatura otoczenia	+5°C do +40°C
Dopuszczalna temperatura przechowywania	od -10 °C do +40°C
Dopuszczalna wilgotność względna przechowywania	maks. 80% (bez efektu kondensacji)
Zgodność	sprawdzone wg IEC 60601-1

#### 3.3.2 Skrzynka sterująca wraz z ładowarką akumulatora



Skrzynka sterująca została wyposażona w czerwony przycisk awaryjny i wewnętrzną ładowarkę akumulatora.

Napięcie pierwotne	100 - 240 VAC / 50/60 Hz
Napięcie wtórne (napięcie ładowania)	24 VDC, maks. 250 VA
Prąd wtórny (prąd ładowania)	maks. 10 A
Zabezpieczenia	Zabezpieczono przed polaryzacją zaporową, wyładowaniami elektrycznymi i skrajnymi temperaturami
Dopuszczalna temperatura otoczenia	+5°C do +40°C
Dopuszczalna temperatura przechowywania	od -10 °C do +40°C
Dopuszczalna wilgotność względna przechowywania	maks. 80% (bez efektu kondensacji)
Zgodność	sprawdzone wg IEC 60601-1

Producent zastrzega sobie prawo do wprowadzania zmian parametrów technicznych.



### 3.3.3 Ładowarka zewnętrzna (OPCJONALNIE)

Ładowarkę zewnętrzną należy zamontować na ścianie. Istnieje możliwość naładowania akumulatora zapasowego (opcjonalny) za pomocą ładowarki zewnętrznej, co pozwala uniknąć przerw w korzystaniu z podnośnika spowodowanych ładowaniem akumulatora.



Napięcie pierwotne	100 - 240 VAC / 50/60 Hz
Prąd ładowania	maks. 650 mA
Dopuszczalna temperatura otoczenia	+5°C do +40°C
Dopuszczalna temperatura przechowywania	od -10 °C do +40°C
Dopuszczalna wilgotność względna przechowywania	maks. 80% (bez efektu kondensacji)

### 3.3.4 Ładowanie akumulatorów

Należy korzystać wyłącznie ze skrzynki sterującej podnośnika Albatros z dołączoną ładowarką lub ładowarki zewnętrznej, która powinna być zamontowana na ścianie.

Zalecamy regularne ładowanie akumulatorów, aby zapewnić ciągłość użytkowania podnośnika oraz wydłużyć żywotność akumulatorów. Skrzynka sterująca wyda informacyjny dźwięk ostrzegawczy, kiedy poziom naładowania akumulatora będzie niski.

#### **Pierwsze użycie**

W pierwszej kolejności należy podłączyć kabel zasilający od strony złącza do odpowiedniego złącza skrzynki sterującej. Od strony wtyczki kabel zasilający należy podłączyć do gniazdka. Czas ładowania wynosi ok. 24 godziny.

#### **Ponowne ładowanie**

**⚠ OSTRZEŻENIE: Ryzyko urazu – nie należy korzystać z podnośnika, kiedy kabel zasilający jest podłączony do gniazdka.**

Gdy bateria jest na wyczerpaniu, połowa zielonej diody LED będzie migać i słychać pojedynczy sygnał dźwiękowy, gdy dźwig jest włączony.

Jeśli dioda LED miga i słychać ciągły sygnał dźwiękowy, na baterii pozostały tylko dwa cykle.



W trakcie ładowania akumulatorów, połowa diody LED będzie świecić na zielono. Akumulator jest w pełni naładowany, gdy dioda LED jest w pełni zielona.

Kiedy proces ładowania się zakończy, należy zawsze najpierw wyłączyć główną wtyczkę z gniazdka, a następnie odłączyć złącze od skrzynki sterującej.

Nie należy korzystać z podnośnika w trakcie ładowania!

Jeżeli akumulatory nie są używane przez dłuższy okres, ulegają powolnemu samoczynnemu rozładowaniu (nadmierne rozładowanie). Doładowanie ich za pomocą dołączonej do podnośnika ładowarki akumulatorów staje się wtedy niemożliwe. Należy zatem ładować akumulatory przynajmniej raz na miesiąc, nawet jeśli nie są używane.

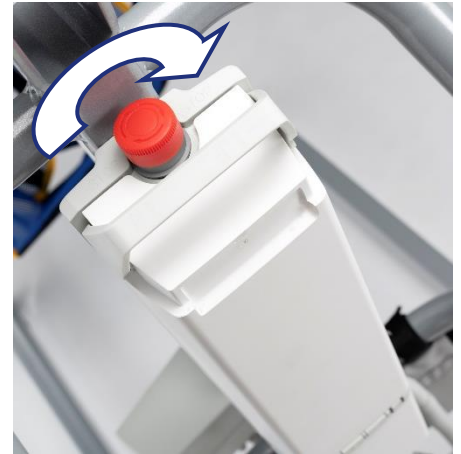
## 3.4 Nagłe przypadki

W razie nagłego przypadku należy użyć przycisku awaryjnego oraz funkcji obniżania w razie wypadku.

### 3.4.1 Przycisk awaryjny

W razie nagłych wypadków oraz w trakcie montażu i demontażu, należy aktywować przycisk awaryjny, przyciskając czerwony przycisk na skrzynce sterującej.

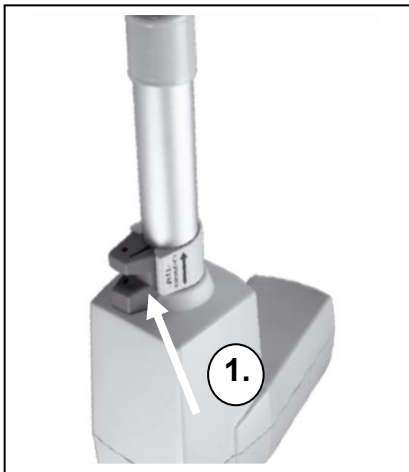
Przycisk awaryjny dezaktywuje się przekręcając czerwony przycisk zgodnie z kierunkiem jaki wskazują strzałki.



PL

### 3.4.2 Ręczne obniżanie awaryjne

**⚠ OSTRZEŻENIE:** Ryzyko urazu – należy dostosować funkcję obniżania awaryjnego do wagi pacjenta.



Obniżania awaryjnego w przypadku braku zasilania lub rozładowania się akumulatora można dokonać za pomocą czerwonego przycisku ① znajdującego się w dolnej części silnika. Obniżanie awaryjnie fabrycznie dostosowane jest do pacjenta o wadze 75 kg.

Standardowa kalibracja: 3000N, 16 mm/s, aby obniżyć pacjenta.

Należy pamiętać, że ręczne obniżanie awaryjne jest możliwe wyłącznie jeśli pacjent siedzi w podnośniku.

## 4 Montaż i regulacja

Podnośnik pacjenta jest dostarczany w pełni zmontowany przez specjalistycznego sprzedawcę.

**Instrukcje zawarte w niniejszym rozdziale są przeznaczone dla wyspecjalizowanego sprzedawcy.**

Aby uzyskać informację o odpowiednim punkcie serwisowym lub wyspecjalizowanym sprzedawcy, skontaktuj się z najbliższym przedstawicielem firmy Vermeiren.

**⚠ OSTRZEŻENIE: Istnieje ryzyko stosowania groźnych dla bezpieczeństwa zakresów - Należy używać wyłącznie zakresów opisanych w niniejszej instrukcji.**

### 4.1 Dostawa

Dostarczany podnośnik Albatros firmy Vermeiren będzie zawierał:

- podwozie wyposażone w 4 kółka (w tym 2 z hamulcami)
- słupek z uchwyty do prowadzenia podnośnika
- ramię wspornika wraz z nasadką na pas nośny
- skrzynkę sterującą (wraz z ładowarką akumulatora)
- akumulator
- sterowanie ręczne
- silnik
- instrukcję obsługi
- podnóżek
- podpórkę pod nogi

Przed użyciem należy się upewnić, że produkt zawiera wszystkie elementy oraz że żaden z elementów nie uległ uszkodzeniu (np. podczas transportu).

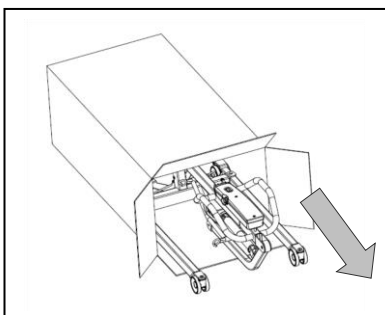
Należy pamiętać, że podstawowa konfiguracja może się różnić w zależności od danego kraju europejskiego. Aby uzyskać więcej informacji, należy skontaktować się z wyspecjalizowanym sprzedawcą w swoim kraju.

### 4.2 Montaż lub demontaż

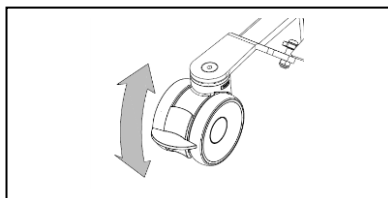
#### 4.2.1 Rozpakowywanie

**⚠ OSTRZEŻENIE: Ryzyko urazu – po rozpakowaniu i przed dalszym montażem, zawsze należy w pierwszej kolejności upewnić się, że przycisk awaryjny (czerwony przycisk na skrzynce sterującej) został wciśnięty.**

Opakowanie podnośnika pacjenta wybrano pod kątem zapewnienia optymalnej ochrony podczas transportu.



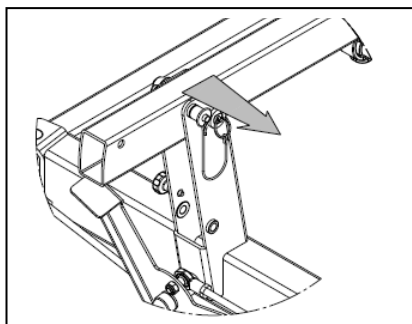
1. Wyciągnij podnośnik pacjenta z kartonu i sprawdź kompletność dostawy oraz to, czy poszczególne części nie posiadają widocznych usterek. W przypadku uszkodzeń zwróć się do lokalnej filii dystrybucyjnej.



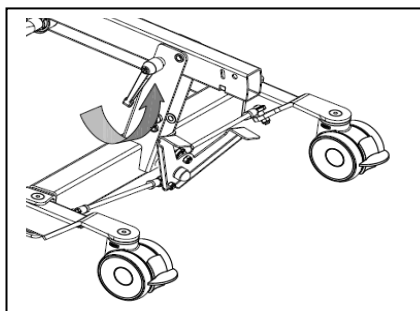
2. Przed montażem zabezpiecz podnośnik pacjenta przed niezamierzonym ruchem za pomocą wszystkich rolek hamujących. W tym celu naciskaj stopą płytkę hamulcową kółek jezdnych lekko w dół, do momentu ich zablokowania. Aby zwolnić hamulec, naciskaj stopą płytkę hamulcową lekko w górę, do momentu odblokowania kółka jezdne.

#### 4.2.2 Montaż

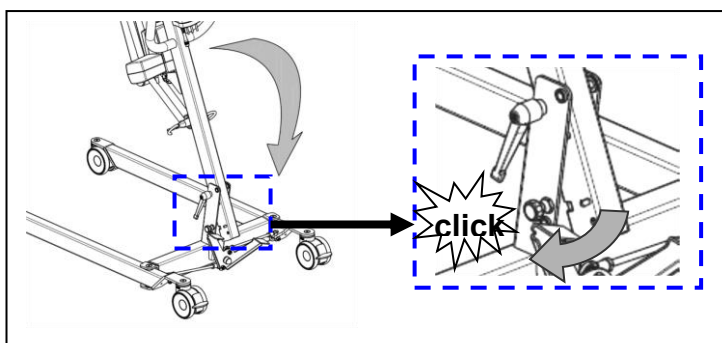
**⚠ OSTRZEŻENIE: Ryzyko przytrzaśnięcia – należy uważać, aby żadna część ciała ani przewód nie zostały przytrzaśnięte, zmiażdżone lub przecięte w trakcie montażu.**



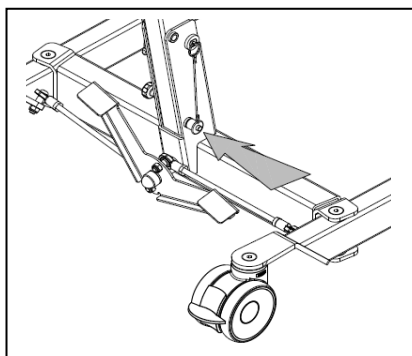
1. Usuń oś zabezpieczającą (oś wtykową) znajdującą się na dolnym końcu słupa, wciskając lekko przycisk znajdujący się na jej głowicy. Teraz oś zabezpieczającą można w prosty sposób wyjąć.



2. Lekko poluzuj zabezpieczenie transportowe (śrubę dociskową z przetyczką). Teraz słup można podnieść.



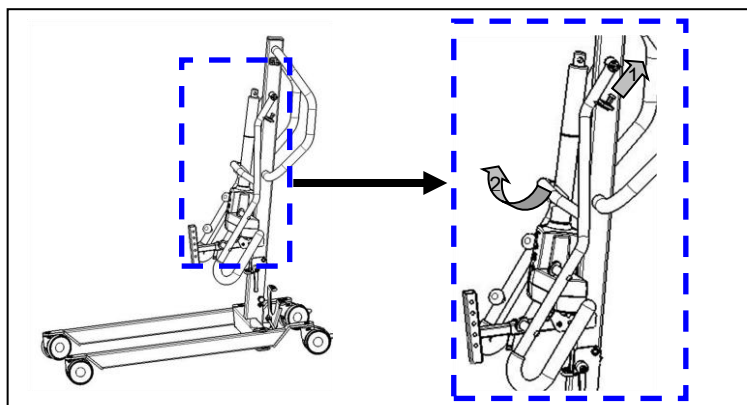
- 2.a Po umieszczeniu słupa w pozycji końcowej następuje słyszalne zatrzaśnięcie zabezpieczenia pozycji stojącej (śruba rozciągnięta).



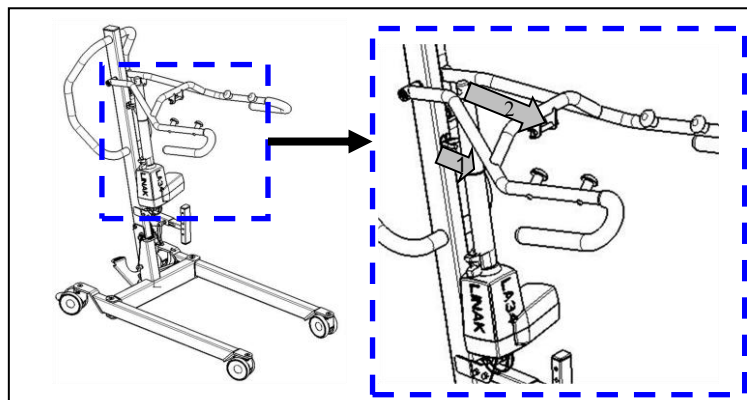
3. **⚠ OSTRZEŻENIE: Ryzyko urazu – Należy sprawdzić, czy blokada zabezpieczająca jest włożona prawidłowo.**

Zabezpiecz słup, przesuwając oś zabezpieczającą znajdującą się na końcu słupa, trzymając wciśnięty przycisk tak długo, aż znajdzie się ona na drugim końcu. Zwolnij przycisk osi zabezpieczającej i sprawdź, czy można tę oś ponownie wyciągnąć.

PL

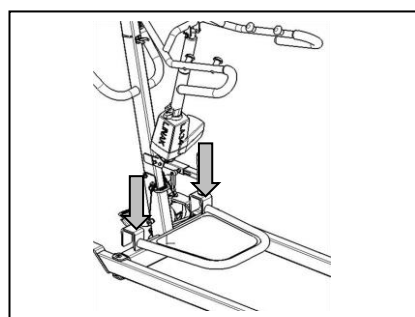


4. Należy usunąć ramię wspornika z górnej części słupka (2). Można to zrobić pociągając za końcówkę (1).

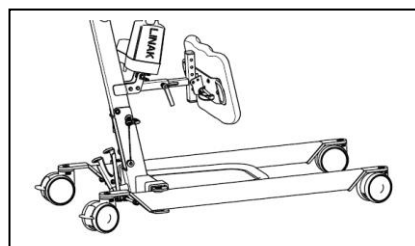


5. Należy delikatnie usunąć siłownik, wyciągając go z czarnego zacisku (1).

6. Następnie siłownik należy przymocować do ramienia wspornika przy pomocy sworznia blokującego (2). Ważne jest, aby siłownik był odpowiednio umieszczony w ramieniu wspornika.



7. Podnóżek należy przymocować do podwozia podnośnika za pomocą haków.

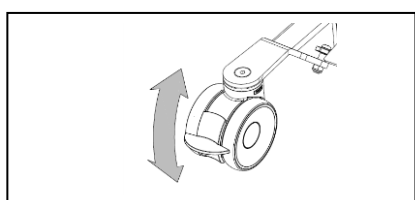


8. Podpórkę pod nogi należy zamocować przy pomocy sworznia blokującego. Podpórkę można ustawić na wybranej wysokości i głębokości.

#### 4.2.3 Demontaż

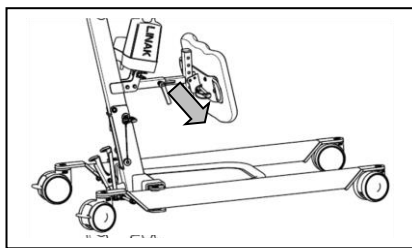
**⚠ OSTRZEŻENIE:** Ryzyko przytrzaśnięcia – należy uważać, aby żadna część ciała ani przewód nie zostały przytrzaśnięte, zmiażdżone lub przecięte w trakcie demontażu.

**⚠ OSTRZEŻENIE:** Ryzyko urazu – należy upewnić się, że przycisk awaryjny (czerwony przycisk na skrzynce sterującej) jest aktywny, aby zapobiec nieprzewidzianym ruchom.

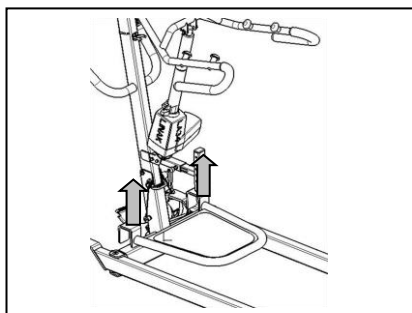


1. Zabezpiecz dwa kółka jezdne znajdujące się na tylnym końcu podstawy jezdnej, naciskając lekko w dół stopą pedału hamulca kółek jezdnych aż do momentu ich zablokowania. Aby zwolnić hamulec, naciskaj stopą pedału hamulca lekko w górę, aż do momentu odblokowania kółek jezdnych.

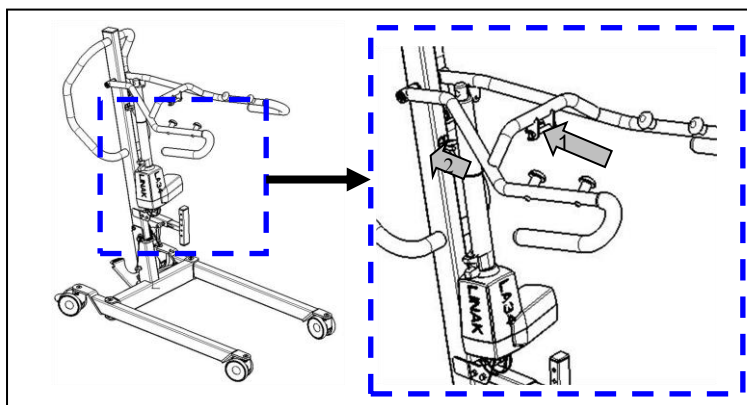




2. Podpórkę pod nogi należy usunąć przy pomocy sworznia blokującego.

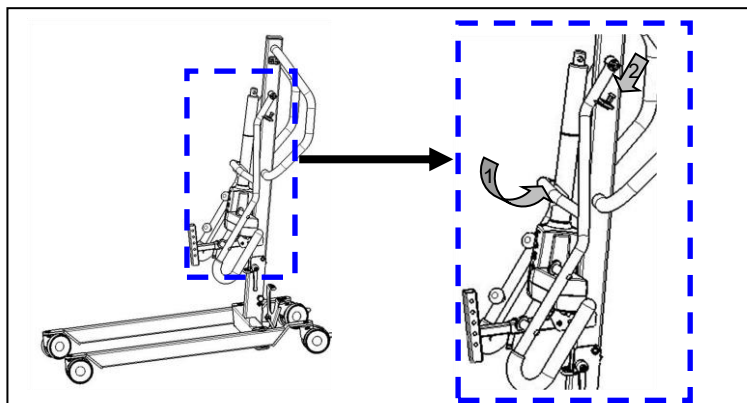


3. Podnóżek należy usunąć z podwozia podnośnika.

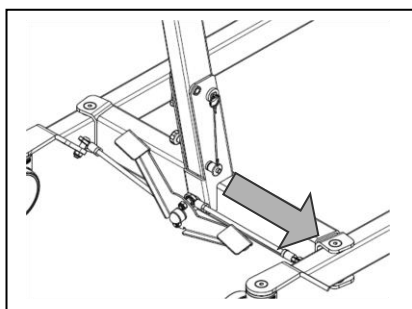


4. Siłownik (silnik) należy zdemontować z ramienia wspornika, usuwając sworznię blokującą (1).

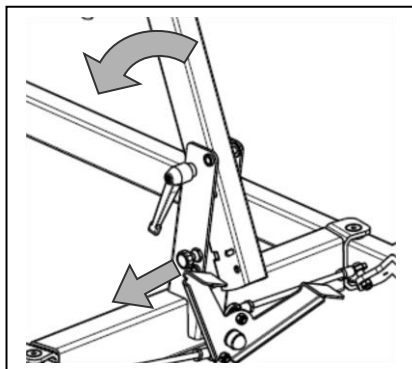
5. Move Należy przesunąć siłownik w dół i umieścić go w czarnym zacisku (2).



6. Move Ramię wspornika należy przesunąć w dół (1). Końcówka powinna zostać przymocowana do górnego końca słupka, w otworze ramienia wspornika (2).



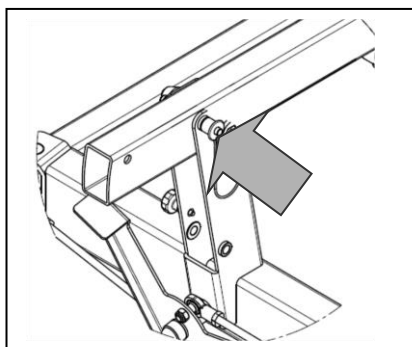
7. Usunąć oś zabezpieczającą (oś wtykową) znajdującą się na dolnym końcu słupka, wciskając lekko przycisk znajdujący się na jej głowicy. Teraz oś zabezpieczającą można w prosty sposób wyjąć.



8. **⚠ OSTRZEŻENIE: Ryzyko urazu – W przypadku odryglowania słupa istnieje niebezpieczeństwo jego upadku z dużą siłą ze względu na jego ciężar.**

Ciągnij zabezpieczenie pozycji stojącej (śrubę rozciąganą) do momentu, aż możliwe będzie przechylenie słupa. Teraz słup można przechylić do przodu.

Słupek należy przechylić do przodu, najdalej jak to możliwe.



9. **⚠ OSTRZEŻENIE: Ryzyko urazu – Należy się upewnić, czy oś zabezpieczająca jest prawidłowo włożona.**

Zabezpiecz słup, przesuwając oś zabezpieczającą znajdującą się na końcu słupa, trzymając wciśnięty przycisk tak długo, aż znajdzie się ona na drugim końcu. Zwolnij przycisk osi zabezpieczającej i sprawdź, czy można ją ponownie wyciągnąć.

### 4.3 Wymiana akumulatora

- Producent nie ponosi odpowiedzialności za uszkodzenia spowodowane korzystaniem z nieodpowiedniego akumulatora.
- Nie należy używać akumulatora w temperaturach poniżej +5°C lub powyżej +50°C (idealna temperatura to +20°C).
- W przypadku otwarcia akumulatora odpowiedzialność producenta wygasa, a wszelkie roszczenia zostają anulowane.



Akumulator podnośnika pacjenta można wymienić za pomocą zintegrowanego systemu zacisków.

Aby wymienić akumulator, należy pociągnąć zintegrowany system zacisków. Pokrywa podniesie się i będzie można wyciągnąć akumulator z obudowy (skrzynki sterującej).



## 5 Konserwacja

### 5.1 Czas konserwacji



PRZESTROGA

Ryzyko obrażeń i uszkodzeń

Naprawy i wymiana części mogą być przeprowadzane tylko przez przeszkolone osoby i należy korzystać z oryginalnych części zamiennych Vermeiren.

**i** Na ostatniej stronie instrukcji znajduje się formularz dla wyspecjalizowanego sprzedawcy, służący do odnotowywania wszystkich czynności serwisowych.

Częstotliwość serwisu zależy od częstotliwości i intensywności użytkowania. Skontaktować się ze sprzedawcą, aby uzgodnić harmonogram kontroli/konserwacji/napraw.

Instrukcję konserwacji można znaleźć w witrynie Vermeiren: [www.vermeiren.com](http://www.vermeiren.com).

#### *Przed każdym użyciem*

Sprawdzić następujące punkty:

- Wszystkie części: obecne, nieuszkodzone i nieużyte.
- Wszystkie części: czyste, patrz §5.3
- Stan części ramy: brak odkształceń, niestabilności, osłabień, poluzowanych połączeń
- Hamulce: brak widocznych uszkodzeń i/lub zabrudzeń.
- Skrzynka kontrolna, sterowanie ręczne, ładowarka akumulatorów, odpowiednie kable: nieuszkodzone, np. żadne przewody nie są przetarte, przerwane lub pozbawione izolacji. Na panelu obsługi ręcznej sprawdź działanie elektrycznej regulacji wysięgnika.
- Stan akumulatora: naładować akumulator w razie potrzeby, patrz §3.3 .

#### *Co 8 tygodni*

W zależności od częstotliwości użytkowania, należy sprawdzać:

- Stopień nasmarowania złączy przegubowych wysięgnika,
- Stan kółek jezdnych,
- Czy widoczne są uszkodzenia obudowy skrzynki kontrolnej, akumulator, ładowarka akumulatorów (jeśli dostępne) i panelu obsługi ręcznej,
- Czy kable są technicznie sprawne.
- Należy regularnie ładować akumulator

#### *Co 6 miesięcy lub dla każdego nowego użytkownika*

W zależności od częstotliwości użytkowania, należy sprawdzać:

- Czystość,
- Stan ogólny
- Pracę kółek jezdnych.

Jeśli opór toczenia jest zbyt duży, oczyścić kółka jezdne. Jeżeli nie przyniesie to efektu, skontaktuj się ze sprzedawcą.

#### *Co roku lub częściej*

Zlecać kontrolę i serwis podnośnika pacjenta wyspecjalizowanemu sprzedawcy raz w roku lub częściej. Minimalna częstotliwość czynności konserwacyjnych zależy od natężenia eksploatacji. Dlatego należy ją uzgodnić z wyspecjalizowaną sprzedawcą.

### 5.2 Wysyłka i Przechowywanie

- Transport i przechowywanie powinny się odbywać zgodnie z parametrami technicznymi w §7. Upewnij się, że podnośnik pacjenta jest przechowywany w stanie suchym.
- Sprawdź, czy kable nie są narażone na zgniecenia i załamania.
- Należy odłączyć źródło zasilania.
- Zapewnić odpowiednie przykrycie lub opakowanie chroniące podnośnik pacjenta przed rdzą i ciałami obcymi. (np. słoną wodą, morskim powietrzem, piaskiem, pyłem).

- Należy przechowywać wszystkie zdemontowane części razem w jednym miejscu (lub w razie potrzeby oznaczyć je), aby uniknąć pomieszania z częściami innych produktów podczas ponownego montażu (np. ładowarka).
- Przechowywane elementy muszą być wolne od nacisku (nie umieszczać ciężkich części na podnośnik, nie wciskać pomiędzy inne obiekty ...).

PL

## 5.3 Czyszczenie

PRZESTROGA

Ryzyko uszkodzenia przez wilgoć.

- Nigdy nie używać strumienia wody z węża ani myjki wysokociśnieniowej.
- Do usuwania opornych zabrudzeń używać delikatnych, dostępnych w sprzedaży detergentów.
- Plamy można usunąć gąbką lub delikatną szczotką.
- Nie wolno używać silnych płynów czyszczących, takich jak rozpuszczalniki, ani twardych szczotek.

### 5.3.1 Części z tworzyw sztucznych

Części z tworzyw sztucznych podnośnika pacjenta należy czyścić dostępnymi w sprzedaży środkami czyszczącymi do tworzyw sztucznych. Należy zapoznać się ze szczegółowymi informacjami o produkcie i używać wyłącznie delikatnej szczoteczki lub delikatnej gąbki.

### 5.3.2 Powłoka ochronna

Podnośnik pacjenta składa się z elementów stalowych. Wysoka jakość warstwy wierzchniej zapewnia optymalną ochronę przed korozją. W przypadku uszkodzenia warstwy wierzchniej poprzez zadrapanie lub w inny sposób należy zlecić wyspecjalizowanemu sprzedawcy naprawę powierzchni.

Podczas czyszczenia używać wyłącznie ciepłej wody i zwykłych detergentów domowych oraz miękkich szczotek i szmatek. Upewnić się, że wilgoć nie przedostaje się do wnętrza rurek.

### 5.3.3 Obudowa układu elektronicznego

**⚠ OSTRZEŻENIE: Ryzyko urazu – Przed wykonaniem prac konserwacyjnych należy nacisnąć przycisk zatrzymania awaryjnego, aby uniknąć niezamierzonego przesunięcia.**

Skrzynkę kontrolną, obudowę silnika i panel obsługi ręcznej należy wycierać tylko zwilżoną ściereczką z odrobiną środka czyszczącego stosowanego w gospodarstwach domowych i dostępnego w handlu. Nie należy stosować środków do polerowania ani ostrych narzędzi (gąbek metalowych, szczotek itp.), ponieważ mogą one zarysować powierzchnię i usunąć ochronę przed przyskakującą wodą.

Regularnie sprawdzać, czy połączenia wtykowe nie są skorodowane lub uszkodzone, gdyż może to wpływać na funkcjonowanie układu elektronicznego.

Producent nie ponosi odpowiedzialności za szkody powstałe w wyniku nieprawidłowej pielęgnacji.

## 5.4 Dezynfekcja

Wszystkie elementy podnośnika pacjenta można wyczyścić środkiem dezynfekującym.

Wszystkie elementy podnośnika pacjenta można wyczyścić środkiem Dezynfekującym przeznaczonym do użytku domowego

## 5.5 Kontrola

Zwykle zalecane jest dokonanie jednego przeglądu rocznie i co najmniej jednego przed wznowieniem użytkowania. Wszystkie poniższe kontrole muszą zostać przeprowadzone i udokumentowane przez upoważnione do tego osoby:

- Kontrola okablowania (szczególnie pod kątem wgnieceń, widocznego zużycia, nacięć, widocznych części izolacji przewodów wewnętrznych, widocznych rdzeni metalowych przewodów, supłów, wybrzuszeń, zmian w kolorze zewnętrznej osłony izolacyjnej, łamliwych miejsc i bezpiecznego rozmieszczenia, aby nie było możliwości pojawienia się usterek mechanicznych, takich jak przecięcie czy zmiążdżenie).
- Kontrola wzrokowa części ramy, aby sprawdzić czy nie pojawiły się deformacje plastiku i/lub oznaki zużycia (rama, zawieszenie silnika, ramię wspornika, wspornik rozszerzający).
- Kontrola wzrokowa pod kątem uszkodzeń powierzchni malowanej (zagrożenie korozją).
- Kontrola wzrokowa każdej osłony i obudowy pod kątem uszkodzeń. Śruby powinny być dobrze wkręcone.
- kontrola nasmarowania połączeń metalowych w częściach ruchomych;
- Wzrokowa kontrola części z tworzywa sztucznego pod kątem pęknięć i kruchości.
- Przegląd skrzynki sterującej (w tym ładowarki) pod kątem szczątkowego prądu wyładowczego (A) na podstawie VDE 0702.
- Przegląd skrzynki sterującej (w tym ładowarki) pod kątem odporności izolacji na przebicia (MO) na podstawie VDE 0702.
- Test działania ramienia wspornika (nasmarowanie łączy, zakres regulacji, deformacje, zużycie eksploatacyjne).
- Kontrola funkcjonowania napędów podnośnika (w trakcie jazdy próbnej → hałas, prędkość, swobodne działanie itp.), w razie potrzeby: Kontrola działania, najpierw bez obciążenia, a następnie przy obciążeniu znamionowym (bezpieczne obciążenie robocze), w celu sprawdzenia silników pod kątem zużycia lub zniszczenia poprzez porównanie wartości prądu elektrycznego z wartościami uzyskanymi w chwili dostarczenia podnośnika.
- Test działania przycisku awaryjnego.
- Test działania obniżania awaryjnego.
- Kompletność dostarczanego zestawu, dostępność instrukcji obsługi.

Kontrole pomiarowe mogą przeprowadzać wyłącznie osoby, które zostały przeszkolone w zakresie badań wózków inwalidzkich i poinstruowane przez elektryka na temat stosowanych środków i procedur kontrolnych. Zezwolenie na użytkowanie podnośnika pacjenta po przeprowadzonych kontrolach pomiarowych lub pracach konserwacyjnych może być udzielone jedynie przez elektryka.

Serwisowanie wolno zatwierdzić w planie konserwacji wyłącznie, jeśli kontrola objęła co najmniej wszystkie z powyższych czynności.

## 5.6 Przewidywany okres użytkowania

Podnośnik pacjenta jest zaprojektowany tak, aby jego średnia długość życia wynosiła 8 lat. Ten czas może być dłuższy lub krótszy w zależności od częstotliwości użytkowania, przechowywania, konserwacji, przeglądów i czyszczenia.

## 5.7 Ponowne użycie

Przed każdym ponownym użyciem podnośnik należy zdezynfekować, skontrolować i poddać konserwacji zgodnie z instrukcjami w tym rozdziale.

## 5.8 Koniec użytkowania

Po zakończeniu użytkowania podnośnik pacjenta należy poddać utylizacji zgodnie z lokalnie obowiązującymi przepisami w zakresie ochrony środowiska. Najlepszym sposobem, aby to zrobić, jest demontaż podnośnika pacjenta w celu ułatwienia transportu części nadających się do przetworzenia.

## 6 Diagnozowanie i rozwiązywanie problemów

Tabela 1: Diagnozowanie i rozwiązywanie problemów

Problem	Przyczyna problemu	Rozwiązywanie problemów
Hałaśliwe dźwięki części ruchomych (np.: ramienia wspornika).	Konieczne jest nasmarowanie.	Należy nasmarować części ruchome. <b>(Nie należy smarować siłownika!)</b>
Siłownik wydaje niecodzienny dźwięk.	Siłownik jest uszkodzony.	Należy wymienić siłownik lub skontaktować się z wyspecjalizowanym sprzedawcą.
Podnośnik nie podnosi się.	<ol style="list-style-type: none"> <li>1. Siłownik elektryczny jest uszkodzony.</li> <li>2. Waga pacjenta jest zbyt wysoka (dioda LED stanu systemu miga, słychać dwa sygnały dźwiękowe).</li> <li>3. Sterowanie ręcznie lub siłownik nie są podłączone.</li> <li>4. Akumulator nie jest podłączony do skrzynki sterującej lub jest podłączony nieprawidłowo.</li> <li>5. Zbyt niski poziom naładowania akumulatora.</li> <li>6. Przycisk awaryjny jest aktywny (dioda LED stanu systemu świeci się).</li> </ol>	<ol style="list-style-type: none"> <li>1. Należy wymienić siłownik.</li> <li>2. Należy użyć podnośnika dopuszczającego wyższą wagę maksymalną pacjenta.</li> <li>3. Należy sprawdzić połączenia. W razie potrzeby należy podłączyć sterowanie ręczne lub siłownik.</li> <li>4. Należy sprawdzić, czy zainstalowano akumulator lub połączenie akumulatora.</li> <li>5. Należy naładować lub wymienić akumulator.</li> <li>6. Należy dezaktywować przycisk awaryjny.</li> </ol>
Awaryjne obniżanie pacjenta nie działa.	Aby obniżyć pacjenta, wymagana jest minimalne obciążenie podnośnika.	Jeśli waga pacjenta jest zbyt niska, aby go obniżyć, należy nieznacznie obniżyć ramię wspornika lub wyregulować prędkość opuszczania.
Nie można naładować akumulatora	<ol style="list-style-type: none"> <li>1. Akumulator nie jest odpowiednio dopasowany do skrzynki sterującej.</li> <li>2. Uszkodzenie kabla głównej sieci zasilającej.</li> <li>3. Akumulator jest wadliwy.</li> <li>4. Skrzynka sterująca wraz z ładowarką lub ładowarką jest wadliwa.</li> </ol>	<ol style="list-style-type: none"> <li>1. Należy sprawdzić, czy akumulator jest podłączony do skrzynki sterującej.</li> <li>2. Należy wymienić kabel głównej sieci zasilającej.</li> <li>3. Należy wymienić akumulator.</li> <li>4. Należy wymienić skrzynkę sterującą wraz z ładowarką lub ładowarką.</li> </ol>

## 7 Parametry techniczne

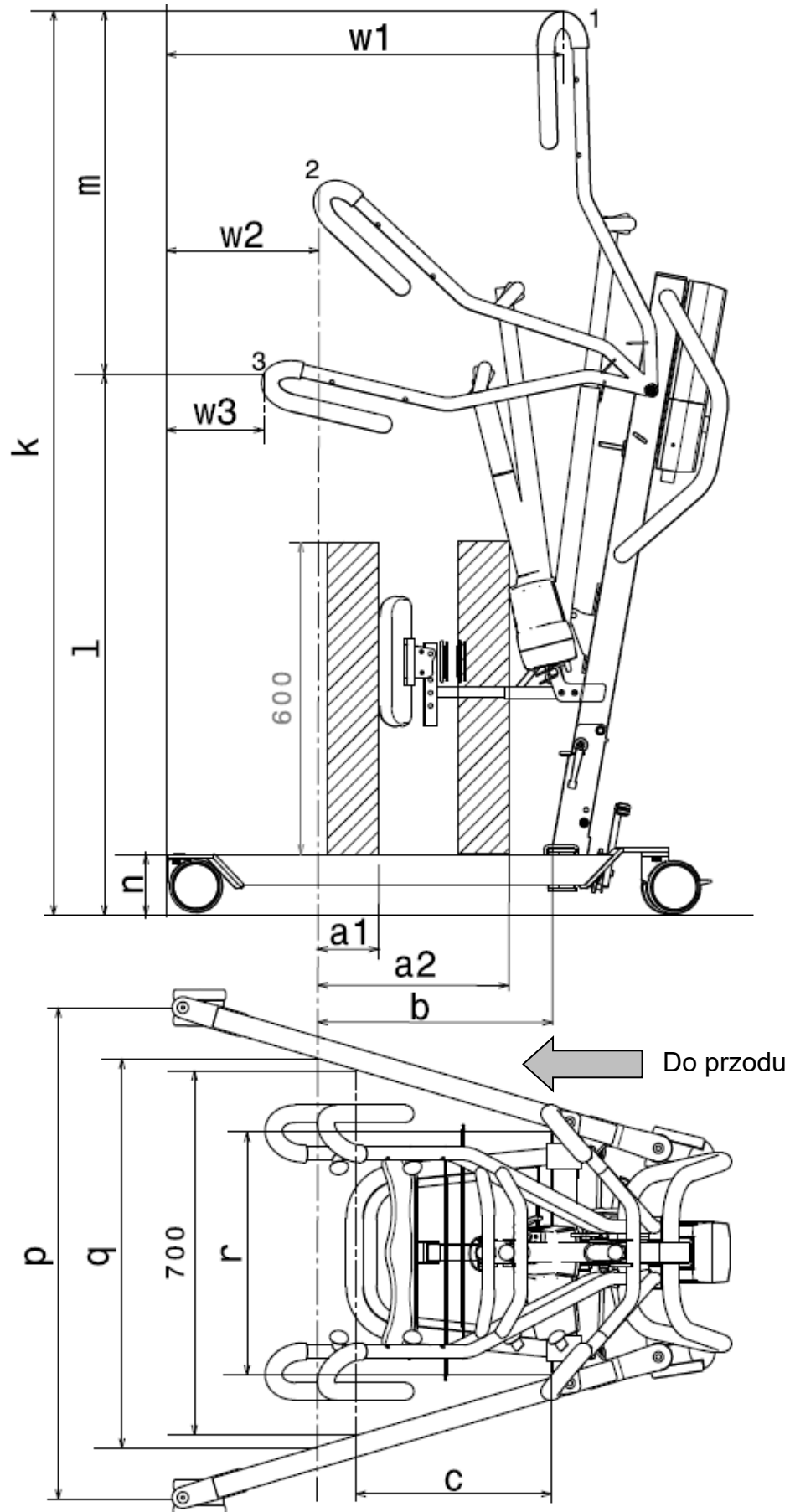


Tabela 2: Parametry techniczne

<b>Marka</b>	<b>Vermeiren</b>
<b>Typ</b>	<b>Podnośnik pacjenta</b>
<b>Model</b>	<b>Albatros</b>

<b>Opis</b>	<b>Wymiary na rysunku</b>	<b>Specyfikacje</b>
Najniższa pozycja centralnego punktu ograniczenia ruchu*	l	1040 mm
Maksymalna pozycja centralnego punktu ograniczenia ruchu*	k	1739 mm
Zakres podnoszenia (zakres wysokości)	m	699 mm
Długość ramienia		965 mm
Długość całkowita		1046 mm
Minimalny rozstaw ramion	r	467 mm
Maksymalny rozstaw ramion	q	749 mm
Wysokość kolumny / Wysokość ramy	n	117 mm
Szerokość całkowita (pozycja złożona), wymiar zewnętrzny		584 mm
Szerokość całkowita (pozycja rozłożona), kółka jezdne z przodu	p	945 mm
Długość po złożeniu		1030 mm
Wysokość po złożeniu		500 mm
Szerokość po złożeniu		584 mm
Min. odległość pomiędzy ścianą / CSP* (wysokość minimalna)	w3	188 mm
Min. odległość pomiędzy ścianą / CSP* (zasięg maksymalny)	w2	293 mm
Min. odległość pomiędzy ścianą / CPOR* (wysokość maksymalna)	w1	762 mm
Koło skrętu		1133 mm
Waga całkowita		44,85 kg
Waga podwozia wraz z silnikiem		34,15 kg
Waga akumulatora		2,90 kg
Waga podnóżka		4,55 kg
Waga podpórki pod nogi		2,80 kg
Waga nasadki podpórki pod nogi		0,40 kg
Maksymalne obciążenie		<b>150 kg</b>
Dowolna wysokość, co najmniej		57 mm
Zasięg maksymalny przy 600 mm wraz z podpórką pod nogi	a1	100 mm
Zasięg maksymalny przy 600 mm bez podpórki pod nogi	a2	368 mm
Maksymalny zakres od słupa nośnego	b	450 mm
Zakres od słupa nośnego z odstępem 700 mm	c	375 mm

<b>Marka</b>	<b>Vermeiren</b>
<b>Typ</b>	<b>Podnośnik pacjenta</b>
<b>Model</b>	<b>Albatros</b>

Opis	Wymiary na rysunku	Specyfikacje
Wyjście napięcia		24V $\overline{\text{---}}$ maks. 250 VA
Napięcie zasilające		120-240V $\sim$ maks. 37-53 VA
Maksymalny pobór prądu		maks. 350 mA
Temperatura użytkowa		od +5 do +40°C
Wilgotność powietrza		od 20% do 80% przy 30°C, brak kondensacji
Poziom hałasu		< 50 dB(A)
Ciśnienie powietrza		od 700 do 1060 hPa
Skrzynka kontrolna		Linak CAL40
Akumulator		Linak BAL40
Sterowanie ręczne		Linak HB3X0L0
silnik		Linak LA34 (7500N)
Klasa ochronności skrzynki kontrolnej		IPX4
Klasa zabezpieczeń akumulatora		IPX5
Klasa ochronności panelu sterowania ręcznego		IPX5
Klasa ochronności silnika		IP54
Klasa izolacji		II - Typ B
Wydajność pracy		ok. 40 podniesień na jedno załadowanie
Prędkość podnoszenia/opuszczania		28 sek.
Praca okresowa		maks. 10% lub 2 minuty pracy ciągłej/18 min. przerwy
Pojemność akumulatora		2,9 Ah
Przycisk awaryjny		Tak
Ręczne obniżenie awaryjne		Tak
Elektryczne obniżenie awaryjne		Nie
<b>Producent zastrzega sobie prawo do wprowadzania zmian parametrów technicznych. Tolerancja pomiaru +/- 15 mm / 1,5 kg, 1.5°</b>		

1 = maksymalna pozycja, 2 = maksymalny zakres, 3 = najniższa pozycja  
\* CPOR = centralny punkt ograniczenia ruchu





## Obsah

<b>Obsah</b>	<b>1</b>
<b>Úvod</b>	<b>2</b>
<b>1 Tento výrobek</b>	<b>3</b>
<b>2 Před použitím</b>	<b>4</b>
2.1 Určené použití	4
2.2 Obecné bezpečnostní pokyny	4
<b>3 Použití patientského zvedáku</b>	<b>6</b>
3.1 Obsluha zvedáku	6
3.2 Závěsy	8
3.3 Baterie a nabíjení	9
3.4 Nouzová situace	10
<b>4 Instalace a seřízení</b>	<b>12</b>
4.1 Dodávka	12
4.2 Montáž nebo demontáž	12
4.3 Výměna baterie	16
<b>5 Údržba/servis</b>	<b>17</b>
5.1 Interval údržby/servisu	17
5.2 Přeprava a skladování	17
5.3 Čištění	18
5.4 Dezinfekce	18
5.5 Kontrola	18
5.6 Životnost výrobku	19
5.7 Znovupoužití výrobku	19
5.8 Likvidace výrobku	19
<b>6 Řešení problémů</b>	<b>20</b>
<b>7 Technické údaje</b>	<b>21</b>

## Úvod

Blahopřejeme! Nyní jste vlastníkem patientského zvedáku Vermeiren!

Tento výrobek byl vyroben pečlivými pracovníky s kvalifikací. Navíc byl navržen a vyroben podle vysokých standardů kvality, nad nimiž dohlíží společnost Vermeiren.

Děkujeme za vaši důvěru ve výrobky společnosti Vermeiren. Tento návod slouží k tomu, aby vám pomáhal s použitím tohoto patientského zvedáku a jeho provozních možností. Řádně si jej přečtěte; pomůže vám seznámit se s provozem, schopnostmi a omezeními tohoto výrobku.

Budete-li mít po přečtení tohoto návodu nějaké dotazy, obraťte se na svého odborného prodejce. Rád vám pomůže.

### **Důležitá poznámka**

Aby byla zajištěna vaše bezpečnost a prodloužena životnost tohoto výrobku, věnujte mu řádnou péči a nechávejte jej pravidelně kontrolovat a opravovat.

Tento návod odráží nejnovější vývoj výrobku. Společnost Vermeiren má právo provádět změny tohoto typu výrobku, aniž by byla povinna upravit nebo nahradit podobné výrobky, které již byly dodány.

Obrázky výrobku slouží k objasnění pokynů v tomto návodu. Detaily znázorněného výrobku se mohou od daného výrobku lišit.

### **Dostupné informace**

Nejnovější verzi informací tohoto návodu vždy naleznete na našich webových stránkách <http://www.vermeiren.com/>. Tyto webové stránky pravidelně navštěvujte pro případné aktualizace.

Osoby se zhoršeným zrakem si mohou stáhnout elektronickou verzi tohoto návodu a nechat si ji číst pomocí softwarové aplikace převádějící text na řeč.



Tento návod k obsluze  
Pro uživatele a odborného prodejce



Servisní příručka  
Pro odborného prodejce



Prohlášení o shodě (ES)

## 1 Tento výrobek



1. Knoflíky pro upevnění popruhů
2. Konzolové rameno
3. Přepravní držák pro motor
4. Motor
5. Podpěra nohou
6. Podvozek
7. Plošina pro nohy
8. Kolečko
9. Přepravní držák pro konzolové rameno
10. Baterie
11. Nouzové zastavení
12. Ovládací skříňka
13. Nosná tyč
14. Rukojeť pro tlačení
15. Ruční ovládání
16. Výklopný zámek
17. Bezpečnostní prvek
18. Pedál k expanzi podvozku
19. Otočné kolečko s brzdou

## 2 Před použitím

### 2.1 Určené použití

V tomto odstavci je uveden stručný popis zamýšleného použití tohoto patientského zvedáku. Dále jsou k pokynům v dalších odstavcích přidána příslušná varování. Tímto způsobem chceme upozornit na případné chybné použití, k němuž může dojít.

- Indikace a kontraindikace: Tento patientský zvedák obsluhuje ošetřovatel a je určen pro přemístění sedících pacientů, např. mezi invalidními vozíky, ošetřovatelskými lůžky a koupelnami. Patientský zvedák je navržen a vyroben jako transportní/překládací pomůcka pro seniory nebo osoby, které trpí ochrnutím, ztrátou či vadami končetin, ztuhými nebo poškozenými klouby, kardiovaskulárními problémy, kachexií atd. Při odpovídajícím použití nejsou známy žádné kontraindikace.
- Tento patientský zvedák je vhodný pro použití v interiéru.
- Tento patientský zvedák je zkonstruován a vyroben výhradně pro přepravu/přemístování jedné (1) osoby o maximální hmotnosti 150 kg. Není konstruován pro přepravu zboží či předmětů ani pro jakýkoli jiný účel, než je popsán výše.
- Používejte pouze příslušenství a náhradní díly schválené společností Vermeiren.
- Přečtěte si všechny technické detaily a omezení tohoto patientského zvedáku v kapitole 7.
- Záruka na tento výrobek je založena na běžném použití a údržbě, jak je to popsáno v tomto návodu. V případě poškození výrobku způsobeného nesprávným použitím či absencí údržby tato záruka zanikne.

### 2.2 Obecné bezpečnostní pokyny

 POZOR Riziko zranění anebo poškození

Přečtěte si pokyny v tomto návodu a postupujte podle nich. Jinak může dojít ke zranění nebo k poškození patientského zvedáku.

Při použití mějte na paměti následující obecná upozornění:

- Patientský zvedák smí obsluhovat pouze kvalifikovaný personál, který byl poučen nebo vyškolen v jeho konkrétním použití.
- Nepřekračujte max. povolenou nosnost patientského zvedáku. Jinak se vypne ovládací skříňka.
- V případě odlišné nosnosti patientského zvedáku a závěsu vždy dodržujte nejnižší uživatelskou hmotnost.
- Při operaci zvedání musí být u zvedáku přítomna obsluha.
- Upozornění: určité části patientského zvedáku mohou být velmi teplé nebo studené vlivem okolní teploty, slunečního záření či topných těles. Při dotýkání buďte opatrní.
- Patientský zvedák byl testován na elektromagnetickou kompatibilitu a danému standardu vyhovuje. Nicméně činnost patientského zvedáku mohou narušovat zdroje elektromagnetických polí, jako jsou mobilní telefony, elektrogenerátory či jiné vysoce výkonné zdroje energie. Naopak elektronika patientského zvedáku může negativně ovlivňovat jiná elektronická zařízení.
- Patientský zvedák používejte pouze na povrchu, kde se mohou dotýkat země všechna kolečka, a kde je dostatečný kontakt pro bezpečnou obsluhu patientského zvedáku. Při přemístování pacienta pomocí patientského zvedáku s ním nepřejíždějte přes překážky.
- Patientský zvedák nepoužívejte ve vlhkém nebo mokřém prostředí.
- Na zajišťovacích bodech nebo konstrukčních či rámových dílech nebo součástech patientského zvedáku nesmějí být prováděny úpravy ani výměny, aniž by došlo ke konzultaci s výrobcem.
- Zajistěte, aby během použití nedošlo k zachycení rukou, oděvů, pásků, přezek či šperků v kolech nebo jiných pohyblivých součástech.



- Dbejte zvýšené opatrnosti u zdrojů vznícení, jako jsou hořící cigarety, protože mohou zapálit závěs.

Dojde-li k vážné nehodě týkající se tohoto výrobku, informujte spol. Vermeiren nebo svého odborného prodejce a také příslušný úřad ve vaší zemi.



## 3 Použití patientského zvedáku

### 3.1 Obsluha zvedáku

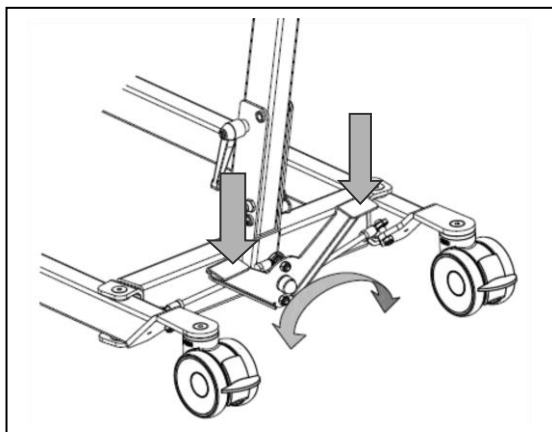

**POZOR**

Riziko zranění anebo poškození

- Při používání zvedáku ověřte, že je kolem něj a nad ním dostatek prostoru, protože v opačném případě by seřizovací pohyby mohly způsobit poškození či zranění.
- Vždy dávejte pozor na zvedací rameno, abyste se nezranili.
- Musejí být používány pouze závěsy, které byly navrženy a schváleny pro pacienty (viz návody k použití různých závěsů). Použití jakýchkoli jiných závěsů je na vlastní riziko.
- K tlačení/tažení patientského zvedáku slouží pouze rukojeti, nikoli jiné součásti.

Dodržujte technické informace, podle kterých lze patientský zvedák obsluhovat. Patientský zvedák smí obsluhovat pouze kvalifikovaný personál, který byl vyškolen v jeho použití a provozu.

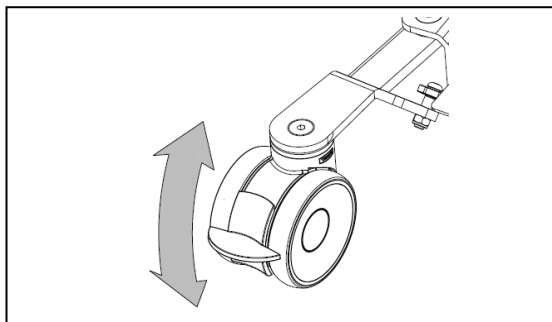
#### 3.1.1 Změna šířky podvozku



Aby se zvedák dostal okolo invalidního vozíku či jiného sedacího nábytku, nebo aby se zvýšila stabilita zvedáku ve stojící poloze, lze zvětšit vzdálenost mezi nohama podvozku.

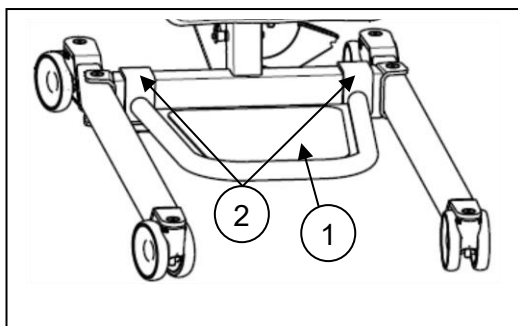
Postavte se za sestavený zvedák a uchopte rukojeti pro tlačení patientského zvedáku (vlevo a vpravo vedle ovládací skříně). Nožním stisknutím pedálu v dolní části podvozku (levého či pravého) směrem dolů lze vzdálenost noh podvozku zvětšit nebo zmenšit.

#### 3.1.2 Parkovací brzdy



Zajistěte dvě kolečka v zadní části podvozku tím, že špičkou nohy jemně zatlačíte brzdové destičky koleček dolů až na koncové dorazy. Chcete-li brzdy uvolnit, zatlačte brzdové destičky špičkou nohy znovu jemně nahoru, dokud nejsou kolečka uvolněná.

#### 3.1.3 Stupačka



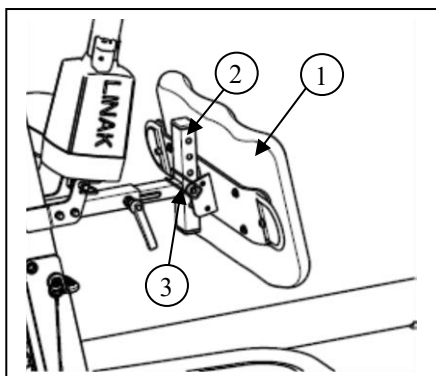
Stupačku (1) lze k podvozku zvedáku uchytit pomocí háků (2) a zase odejmout.



### 3.1.4 Podpěra nohou

**POZOR** Riziko zranění

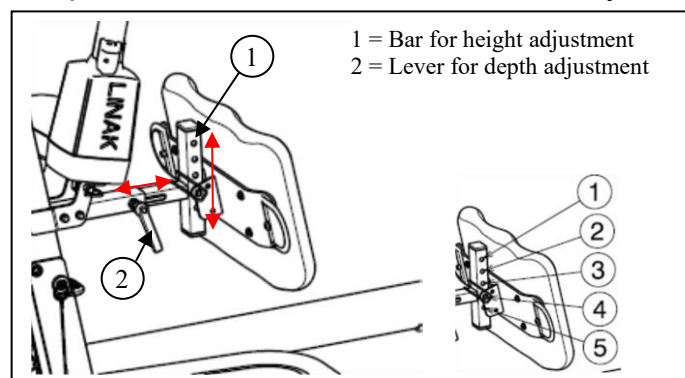
- Neupustte podpěru nohou při nastavování na pacienta.



Podpěru nohou (1) lze uchytit na hlavní tyč zvedáku pacienta (2) pomocí bezpečnostního kolíčku (3).

Podpěra nohou slouží k udržení nohou pacienta ve správné poloze a jako podpěra nohou pacienta při vstávání.

Podpěru nohou lze nastavit hloubkově a výškově v 5ti polohách.



Výška od stupačky k horní části podpěry	Poloha
520 mm	Otvor 1
495 mm	Otvor 2
470 mm	Otvor 3
445 mm	Otvor 4
420 mm	Otvor 5

### 3.1.5 Zvedání a spouštění konzolového ramene

Ruční ovládání umožňuje plynulé nastavení konzolového ramene do jakéhokoli bodu.

- = Zvedání konzolového ramene
- = Spouštění konzolového ramene

Při použití funkce zvednutí až do konce dráhy zvedacího motoru zaktivuje elektronika koncový spínač (bezpečnostní funkce). Funkci zvednutí používejte pouze uprostřed rozsahu seřízení.

Umístěte ruční ovládání na horní trubku rukojeti pro přemístění patientského zvedáku. Tato poloha je nejergonomičtější.



### 3.1.6 Přemístění patientského zvedáku

**POZOR** Riziko zranění

- Dbejte zvýšené opatrnosti při pohybu v úzkých místech (např. dveře).
  1. Postavte se za patientský zvedák a oběma rukama uchopte rukojeti (levou a pravou, vedle ovládací skříňky).
  2. Ověřte, že byly uvolněny obě brzdy zadních koleček.
  3. Pomalu tlačte patientský zvedák do požadované polohy.

Není-li patientský zvedák zatížen, doporučujeme jej táhnout pozadu. To usnadňuje objíždění překážek (rámů dveří, rohů místnosti nebo nábytku).

### 3.1.7 Otočte patientský zvedák kolem jeho osy



POZOR

Riziko zranění

- Dbejte na to, aby v dosahu patientského zvedáku nebyly žádné osoby ani předměty.
  - Pomalu a opatrně otáčejte patientský zvedák kolem jeho osy, aby pacient nemohl vypadnout.
1. Rozevřete nohy patientského zvedáku, aby měl větší stabilitu.
  2. Zaktivujte brzdy.
  3. Umístěte pacienta do patientského zvedáku pomocí příslušného závěsu. (Pokyny k umístění pacienta do zvedáku viz návod k závěsu.)
  4. Zvedněte pacienta ze země, židle, postele atd .
  5. Uvolněte obě brzdy zadních koleček.
  6. Postavte se za patientský zvedák a oběma rukama uchopte rukojeti (levou a pravou vedle ovládací skříňky).
  7. Nyní pomalu a opatrně otočte patientský zvedák na stejném místě. Dávejte pozor, abyste se nohy patientského zvedáku nedotkly žádných předmětů.
  8. Když jste otočeni v dobré poloze, můžete pacienta snížit dolů.

### 3.2 Závěsy



POZOR

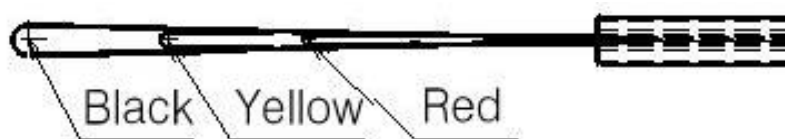
Riziko zranění

- Používejte pouze závěsy vhodné pro pacienty.
- Nepoužívejte poškozené závěsy.
- Nejprve si přečtete celý návod k obsluze závěsů.
- Používejte pouze kompatibilní závěsy schválené společností Vermeiren.

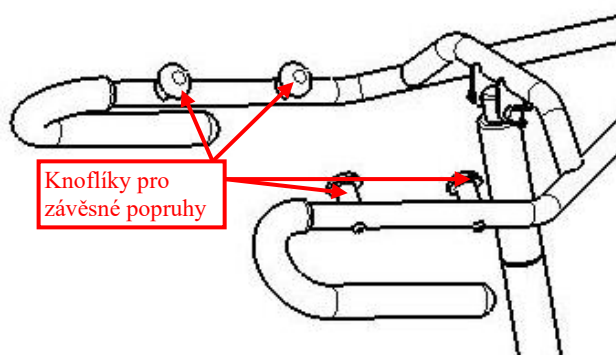
#### 3.2.1 Připevnění ke knoflíkům zvedáku

Závěsy jsou připevněny pomocí závěsných popruhů. Tyto závěsné popruhy musí být zavěšeny na knoflících.

Závěsné popruhy mají 3 smyčky v různých barvách.



Závěsný popruh



Knoflíky zvedáku "Albatros"

Díky 3 různým popruhům je možné zvedat pacienty z různých výšek.

Barva	Popis
Červená	Vysoké osoby se mohou přidržit úchopových ramen zvedáku a aktivně si tak pomoci vstát.
Žlutá	Kombinace
Černá	Malé osoby: Pacient je v porovnání s výškou knoflíků relativně malý..

### 3.3 Baterie a nabíjení

#### 3.3.1 Baterie



Baterie se nachází nad ovládací skříňkou a je vyměnitelná pomocí integrovaného klip-systému.

Primární napětí	24 V=
Teplota okolí	+5 až +40 °C
Skladovací teplota	-10 až +40 °C
Skladovací relativní vlhkost vzduchu	max. 80 % (nekondenzující)
Shoda	testována podle normy IEC 60601-1

#### 3.3.2 Ovládací skříňka + dodaná nabíječka baterií



Ovládací skříňka je navržena s červeným nouzovým vypínačem a interní nabíječkou baterií.

Primární napětí	100 – 240 V~ / 50/60 Hz
Sekundární napětí (nabíjecí napětí)	24 V=, max. 250 V~
Sekundární proud (nabíjecí proud)	max. 10 A
Ochranné prvky	Chráněno proti obrácené polarizaci, elektrickým přepětím a extrémním teplotám
Teplota okolí	+5 až +40 °C
Skladovací teplota	-10 až +40 °C
Skladovací relativní vlhkost vzduchu	max. 80 % (nekondenzující)
Shoda	testována podle normy IEC 60601-1

Vyhrazujeme si právo na zavádění technických změn.

### 3.3.3 Externí nabíječka (VOLITELNÉ)



Externí nabíječka je určena k montáži na stěnu. Pomocí této externí nabíječky lze nabíjet náhradní baterii (volitelné). Nemusí se tedy čekat na nabití baterií v patientském zvedáku, který lze používat.

Primární napětí	100 – 240 V~ / 50/60 Hz
Nabíjecí proud	max. 650 mA
Teplota okolí	+5 až +40 °C
Skladovací teplota	-10 až +40 °C
Skladovací relativní vlhkost vzduchu	max. 80 % (nekondenzující)

### 3.3.4 Nabíjení baterií

Používejte pouze ovládací skříňku s dodanou nabíječkou baterií na zvedáku Eagle 625 nebo externí nabíječku určenou k montáži na stěnu.

Doporučujeme pravidelně dobíjet baterie pro zajištění, že zvedák bude stále použitelný, a k prodloužení životnosti baterií. Ovládací skříňka upozorní na nízké nabití baterie zvukovým signálem.

#### **První použití**

Nejprve zapojte napájecí kabel konektorovou stranou do příslušného konektoru na ovládací skříňce. Zástrčková strana napájecího kabelu musí být zapojena do zásuvky. Nabíjení potrvá přibližně 24 hodin.

#### **Dobíjení**

**⚠ VAROVÁNÍ: Riziko zranění – Nepoužívejte zvedák, je-li napájecí kabel zapojen do zásuvky el. sítě.**

Když se baterie vybíjí, polovina zelené LED bliká a při aktivaci zvedáku se ozve jedno pípnutí. Pokud LED bliká a je slyšet souvislé pípnutí, zbývají na baterii pouze dva cykly.



Když se baterie dobíjejí, svítí polovina dioda LED zeleně. Jakmile svítí dioda LED zcela zeleně, je baterie plně nabitá.

Po dokončení dobíjení vždy nejprve vytáhněte zástrčku síťového kabelu ze zásuvky. Až potom odpojte zástrčku konektoru od ovládací skříňky.

Během dobíjení zvedák nepoužívejte!

Nejsou-li baterie delší dobu používány, dojde k jejich samovolnému pomalému vybíjení (hloubkovému vybíjení). Pak už je nebude možné dobíjet. Proto byste měli baterie dobíjet alespoň jednou za měsíc, i když nejsou používány.

## 3.4 Nouzová situace

V nouzových situacích se musí použít nouzové zastavení a funkce pro snížení v nouzové situaci.

### 3.4.1 Nouzové zastavení zvedáku

V nouzových situacích a při montáži či demontáži lze nouzové zastavení aktivovat stisknutím červeného tlačítka na ovládací skříňce.

Stiskněte tlačítko a otočte jej ve směru šipek. Je-li tlačítko zcela stisknuto dozadu, otočte jej zpět v opačném směru, než ukazují šipky.

Nouzové zastavení se deaktivuje otočením červeného tlačítka ve směru šipek.



CS

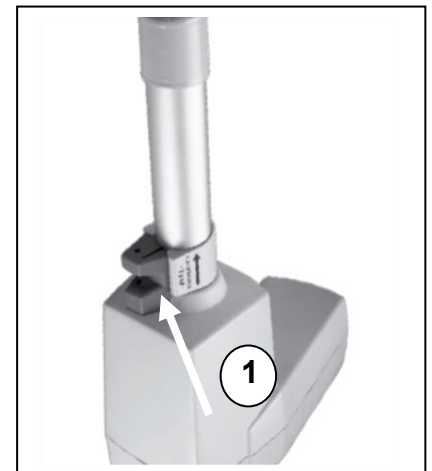
### 3.4.2 Nouzové snížení zvedáku

**⚠ VAROVÁNÍ: Riziko zranění – Seřizujte ruční nouzové snížení podle hmotnosti pacienta.**

Nouzové snížení při výpadku napájení nebo vybitých baterií lze provést červeným tažným tlačítkem ① na dolním konci motoru. Toto nouzové snížení je z výroby nastaveno na pacienta o hmotnosti 75 kg.

Standardní kalibrace: 3000 N, 16 mm/s ke snížení pacienta.

Upozornění: ruční nouzové snížení je možné pouze v případě, že pacient sedí v patientském zvedáku.



## 4 Instalace a seřízení

Pacientský zvedák je dodáván kompletně sestavený odborným prodejcem.

**Pokyny v této kapitole jsou určeny pro odborné prodejce.**

Chcete-li najít servisní středisko či odborného prodejce ve svém okolí, kontaktujte nejbližší pobočku společnosti Vermeiren.

**CS** **⚠ VAROVÁNÍ: Riziko nebezpečných omezení – Používejte pouze omezení uvedená v tomto návodu.**

### 4.1 Dodávka

Balení pacientského zvedáku Vermeiren Albatros obsahuje:

- podvozek včetně 4 koleček (2 s brzdami),
- tyč včetně rukojetí pro tlačení,
- nosné rameno se závěsem pro popruhy,
- ovládací skříňku (+ dodanou nabíječku baterií),
- baterii,
- ruční ovládání,
- motor,
- návod k obsluze,
- stupačka,
- podpěra nohou.

Před použitím ověřte, je-li balení kompletní a že nejsou poškozeny součásti (např. kvůli přepravě apod.).

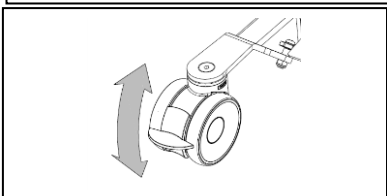
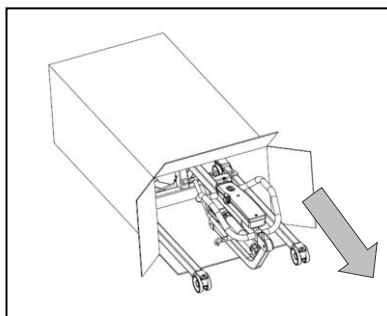
Poznámka: základní konfigurace se může lišit v závislosti na zemi dodávky v Evropě. Další informace vám poskytne odborný prodejce ve vaší zemi.

### 4.2 Montáž nebo demontáž

#### 4.2.1 Vybalení výrobku

**⚠ VAROVÁNÍ: Riziko zranění – Po vybalení a před další montáží vždy nejprve ověřte, že je stisknuté nouzové zastavení (červené tlačítko na ovládací skřínce).**

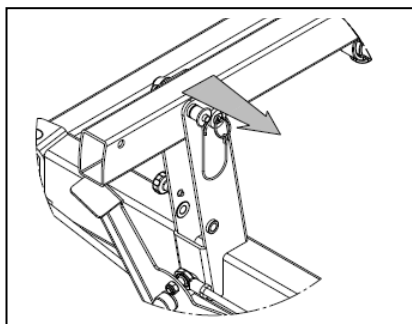
Balení pacientského zvedáku bylo zvoleno tak, aby poskytovalo nejlepší možnou ochranu během přepravy.



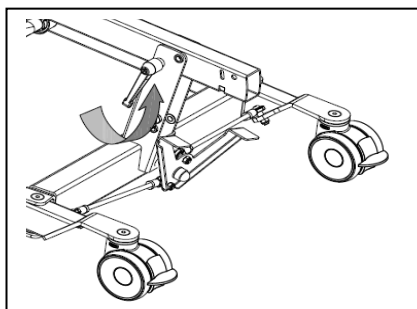
1. Vybalte pacientský zvedák z obalu a zkontrolujte, že byly dodány všechny položky a zda jednotlivé díly nemají jakékoli viditelné vady. Existuje-li jakékoli poškození, obraťte se na svého prodejce.
2. Před sestavením zaktivujte brzdy koleček pro zajištění, že zvedák nelze neúmyslně posunout. Špičkou nohy zatlačte brzdové destičky koleček jemně dolů až na doraz. Chcete-li brzdy uvolnit, zatlačte brzdové destičky špičkou nohy znovu jemně nahoru, dokud nejsou kolečka uvolněná.

## 4.2.2 Sestavení

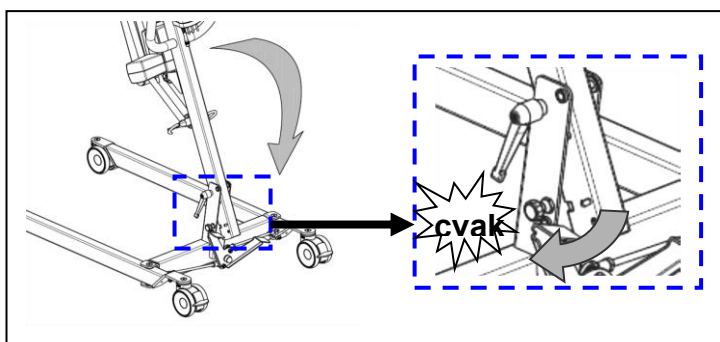
**⚠ VAROVÁNÍ: Nebezpečí sevření – Během sestavení dbejte na to, aby se neskříply, nerozdrtily ani nepřerázly žádné části těla a vodiče.**



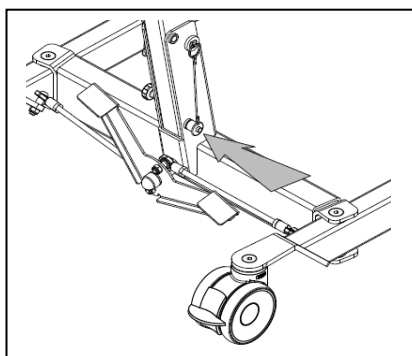
1. Jemným stisknutím tlačítka na hlavě kolíku odeberte bezpečnostní prvek (zajišťovací kolík) z dolního konce tyče. Bezpečnostní prvek lze nyní snadno odebrat.



2. Opatrně uvolněte přepravní pojistku (křídlový šroub) – nyní lze tyč zvedat.



- 2.a Jakmile je tyč uvedena do konečné polohy, zacvakne pojistka vztyčené polohy (trakční šroub) slyšitelně na místo.

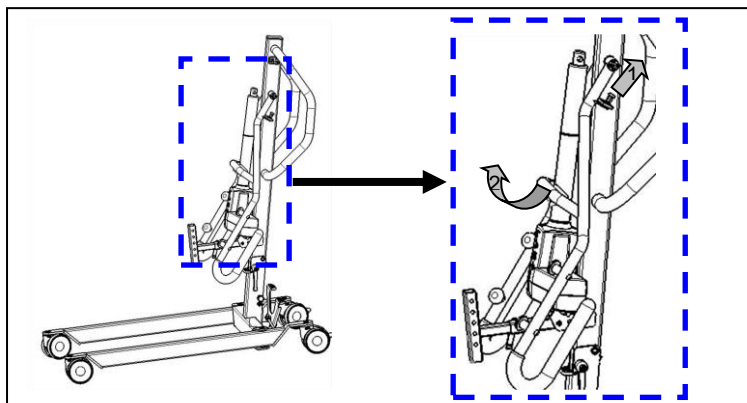


3. **⚠ VAROVÁNÍ: Riziko zranění –** Ověřte, že je bezpečnostní prvek vložen správně.

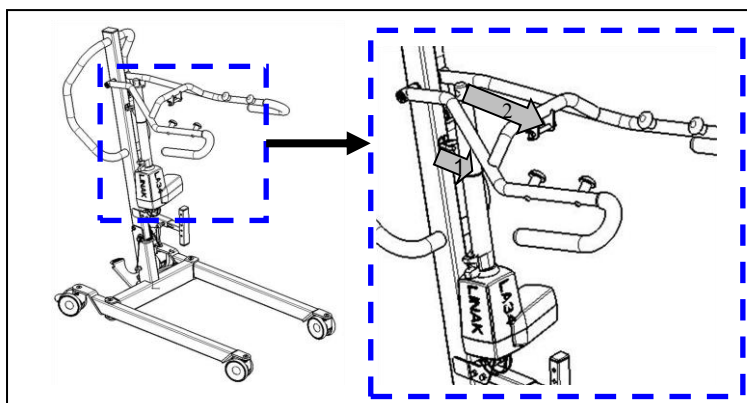
Tyč upevníte na místě tak, že bezpečnostní prvek na konci tyče tlačíte se stisknutím tlačítka dovnitř, dokud její druhý konec zřetelně nevyčnává. Uvolněte tlačítko na bezpečnostním prvku a ověřte, že jej nelze vytáhnout.



CS

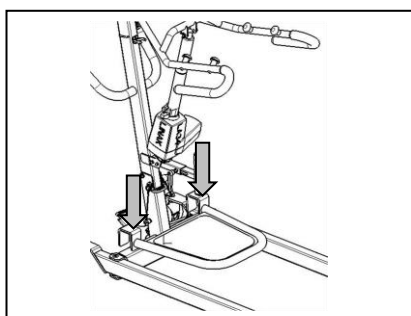


4. Odejměte nosné rameno z horního konce tyče (2). Toto lze provést vytažením kolíku (1).

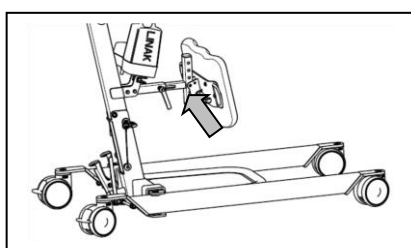


5. Opatrně odejměte pohon vytáhnutím černého klipu (1).

6. Připojte pohon na nosné rameno pomocí zajišťovacího kolíčku (2). Pohon umístěte přesně mezi nosná ramena.



7. Pomocí háků připojte stupačku k podvozku zvedáku pacienta.

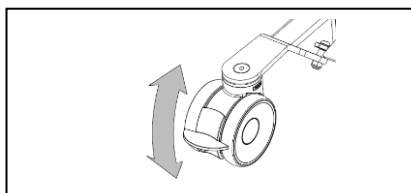


8. Pomocí zajišťovacího kolíčku připojte podpěru nohou. Podpěru nohou umístěte do požadované výšky a hloubky.

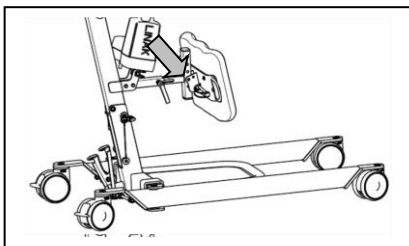
#### 4.2.3 Demontáž

**⚠ VAROVÁNÍ: Nebezpečí sevření – Při demontáži dbejte na to, aby se neskříply, nerozdrtily ani nepřerázly žádné části těla a vodiče.**

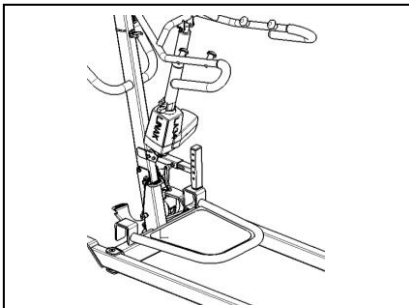
**⚠ VAROVÁNÍ: Riziko zranění – Ověřte, že je zaktivováno nouzové zastavení (červené tlačítko na ovládací skřínce), aby nedošlo k nechtěným pohybům nastavení.**



1. Zajistěte dvě kolečka v zadní části podvozku tím, že špičkou nohy jemně zatlačíte brzdové destičky koleček dolů až na koncové dorazy. Chcete-li brzdy uvolnit, zatlačte brzdové destičky špičkou nohy znovu jemně nahoru, dokud nejsou kolečka uvolněná.

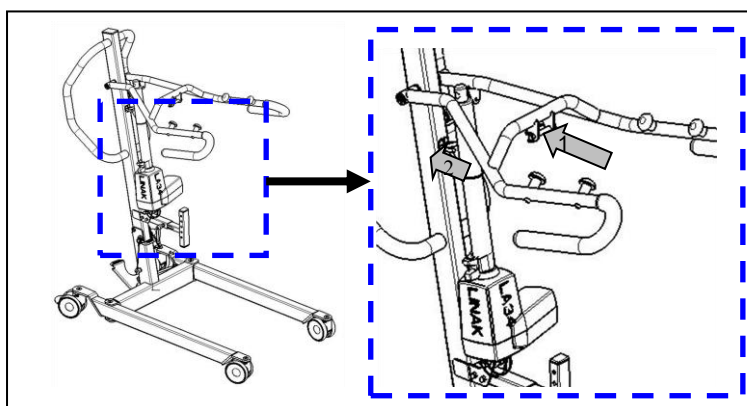


2. Pomocí zajišťovacího kolíčku odejměte podpěru nohou.



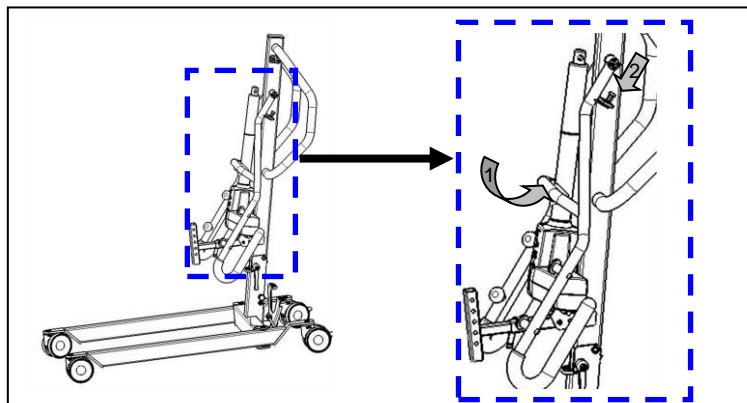
3. Odejměte stupačku z podvozku zvedáku pacienta

CS

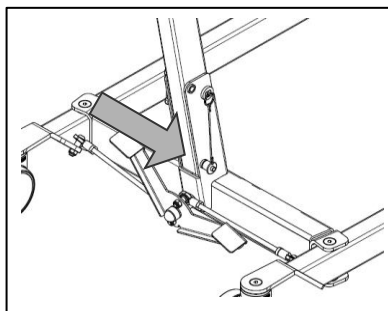


4. Odstraňte zajišťovací kolíček (1) a demontujte pohon (motor) z nosného ramene.

5. Přesuňte pohon do spodní polohy a umístěte jej do černého klipu (2).

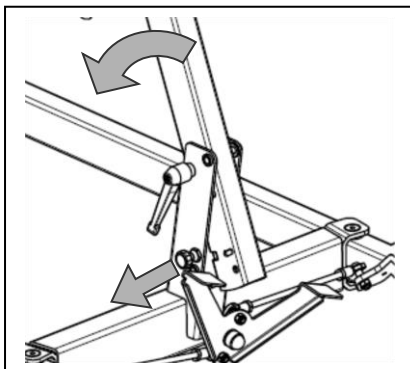


6. Nastavte nosné rameno do spodní polohy (1). Zajistěte kolíček v otvoru nosného ramene v horní části tyče (2).



7. Odstraňte bezpečnostní stopku (zajišťovací kolíček) ze spodního konce hlavní tyče jemným stisknutím tlačítka na hlavičce stopky. Bezpečnostní stopku lze nyní snadno vyjmout.

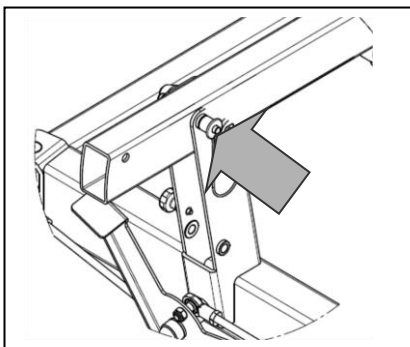
CS



8. ⚠ **VAROVÁNÍ: Nebezpečí zranění - jakmile je tyč odemknuta, může vlastní vahou spadnout a způsobit tak zranění.**

Vytáhněte bezpečnostní prvek vzpřímené polohy (trakční šroub), aby bylo možné tyč uvolnit a sklopit. Tyč lze nyní sklopit směrem vpřed.

Sklopte tyč směrem vpřed do maximální polohy.



9. ⚠ **VAROVÁNÍ: Nebezpečí zranění - ujistěte se, že je bezpečnostní trn správně vložen.**

Zajistěte hlavní tyč zatlačením bezpečnostní stopky na konci tyče spolu se stlačeným tlačítkem, dokud druhý konec nepronikne na druhé straně. Uvolněte tlačítko na bezpečnostní stopce a zkontrolujte, že ji nelze vytáhnout.

### 4.3 Výměna baterie

- Neneseme žádnou odpovědnost za škody způsobené použitím nesprávné baterie.
- Nepoužívejte baterii při teplotě nižší než +5 °C či vyšší než +50 °C (ideální teplota je +20 °C).
- Dojde-li k otevření baterie, pozbude platnosti veškerá odpovědnost a záruky ze strany výrobce.



Baterii patientského zvedáku Eagle 625 lze vyměnit pomocí integrovaného klip-systému.

Pro výměnu baterie zatáhněte za integrovaný klip-systém. Tím se zvedne destička a baterii lze vyjmout z držáku (ovládací skříňky).

## 5 Údržba/servis

### 5.1 Interval údržby/servisu

 **POZOR** Riziko zranění a poškození

Opravy a výměny smějí provádět pouze vyškolené osoby. Přitom je třeba používat pouze originální náhradní díly společnosti Vermeiren (viz návod k údržbě).

**i** Poslední stránka tohoto návodu obsahuje registrační formulář pro odborného prodejce, který zapíše každý servis.

Servisní intervaly závisejí na intenzitě a frekvenci používání. Požádejte svého prodejce o společnou dohodu na rozvrhu kontrol/údržby/servisu/oprav.

Návod k údržbě viz webové stránky společnosti Vermeiren: [www.vermeiren.com](http://www.vermeiren.com).

#### *Před každým použitím*

Zkontrolujte následující body:

- Všechny díly: přítomné a nepoškozené nebo neopotřebené.
- Všechny díly: čisté, viz odst 5.3.
- Stav součástí rámu: žádná deformace, nestabilita, zeslabení nebo uvolněné spoje.
- Brzdy: bez viditelného poškození anebo nečistot. Odstraňte všechny nečistoty, neboť mohou zhoršit pohyb a přilnavost koleček.
- Ovládací skříňka, ruční ovládání, nabíječka baterií, příslušné kabely: žádné poškození, jako jsou roztřepené, zlomené či odkryté vodiče. Pomocí ručního ovládání ověřte, že elektrické seřízení konzolového ramene funguje správně.
- Stav baterie: v případě potřeby nabijte baterii, viz odst. 3.3.

#### *Přibl. každých 8 týdnů*

V závislosti na frekvenci používání zkontrolujte následující:

- Mazání spojů konzolového ramene
- Stav koleček
- Existuje-li jakékoli viditelné poškození krytu ovládací skříňky, baterie, nabíječky baterií a ručního ovládání
- Jsou-li kabely vhodné k použití
- Dobijte baterii

#### *Přibl. každých 6 měsíců nebo pro každého nového uživatele*

V závislosti na frekvenci používání zkontrolujte následující:

- Čistota
- Celkový stav
- Kolečka se otáčejí

Je-li odpor při otáčení příliš velký, vyčistěte kolečka. Pokud to nestačí, obraťte se na svého prodejce.

#### *Ročně nebo častěji*

Alespoň jednou ročně nebo častěji nechte patientský zvedák u odborného prodejce ke kontrole a provedení servisu. Minimální četnost údržby závisí na používání, a proto by měla být společně dohodnuta s vaším odborným prodejcem.

### 5.2 Přeprava a skladování

- Přeprava a skladování musejí probíhat v souladu s technickými údaji v odst. 7. Ověřte, že je patientský zvedák skladován v suchu.
- Zabraňte skřípnutí nebo ostrému ohnutí kabelů.
- Odpojte patientský zvedák ze zásuvky.

- Poskytněte dostatečný kryt či obal, který chrání patientský zvedák před korozi a cizími tělesy. (např. slaná voda, mořský vzduch, písek, prach.)
- Všechny odebrané díly (např. nabíječku) skladujte společně na jednom místě (případně je označte), aby se při znovusestavení nesmíchaly s jinými výrobky.
- Aby se patientský zvedák nepoškodil, zajistěte, aby na něm nebyly uloženy ani o něj opřeny žádné předměty.

## 5.3 Čištění

### UPOZORNĚNÍ

Riziko poškození vlhkostí

- Nikdy nepoužívejte hadici ani vysokotlaký čistič.
- K odstranění odolnějších nečistot použijte mírný komerční detergent.
- Skvrny lze odstranit pomocí houby či měkkého kartáče.
- Nepoužívejte tvrdé kartáče ani silné čisticí kapaliny, jako jsou rozpouštědla.

### 5.3.1 Plastové díly

Plastové díly patientského zvedáku čistěte běžnými čisticími prostředky na plasty. Přečtěte si informace o daném výrobku a používejte pouze měkký kartáč či měkkou houbu.

### 5.3.2 Povrchová vrstva

Zvedák pro pacienty se skládá z ocelových součástí. Vysoká kvalita povrchové vrstvy zaručuje optimální ochranu proti korozi. Je-li vnější vrstva poškozena poškrábáním nebo jiným způsobem, požádejte odborného prodejce o opravu poškozeného povrchu.

Při čištění používejte pouze teplou vodu a běžné čisticí prostředky do domácnosti, měkké kartáče a hadříky. Zajistěte, aby se do hadic nedostala vlhkost.

### 5.3.3 Kryt elektroniky

**⚠ VAROVÁNÍ: Riziko zranění – Před údržbou musí být zaktivováno nouzové zastavení, aby nemohlo dojít k nechtěným pohybům nastavení.**

Otřete ovládací skříňku, kryt motoru a prvky ručního ovládací hadříkem navlhčeným několika kapkami běžného čisticího prostředku do domácnosti. Nepoužívejte abrazivní prostředky ani lešticí nástroje s ostrými hranami, jako jsou kovové drátěnky či kartáče, protože mohou poškrábat povrch ručního ovládacího prvku a zničit jeho schopnost odpuzovat vodu.

Pravidelně kontrolujte konektory, zda nejsou zkorodované nebo poškozené, protože by to mohlo narušit funkčnost elektroniky.

Výrobce nenesе žádnou odpovědnost za škody způsobené nedostatečnou údržbou.

## 5.4 Dezinfekce

Všechny díly patientského zvedáku lze ošetřit vydrhnutím běžným dezinfekčním prostředkem. Postupujte podle pokynů k dezinfekčnímu prostředku.

Pokyny pro praní závěsů viz návod k závěsům a štítek na každém závěsu.

## 5.5 Kontrola

V zásadě doporučujeme jednu každoroční kontrolu a minimálně jednu před obnovením používání. Oprávněné osoby musejí provádět a dokumentovat všechny následující kontroly:

- Kontrola kabeláže (zejména zda není rozdrcená, opotřebená či naříznutá, zda nejsou vidět části izolace vnitřních vodičů nebo kovové žíly vodičů, zalomení, vyboulení, barevné změny vnějšího pláště, křehká místa a zda je bezpečně umístěná, aby nedošlo k mechanickým poškozením, jako je naříznutí či rozdrcení).

- Vizuální kontrola částí rámu (rám, zavěšení motoru, konzolové rameno, rozpěrná tyč), zda nedošlo k plastické deformaci anebo opotřebení.
- Vizuální kontrola, zda není poškozen nátěr/lak (nebezpečí koroze).
- Vizuální kontrola všech krytů, nejsou-li poškozené; šrouby musejí být řádně dotažené.
- Ověření množství maziva na kovových spojích pohyblivých dílů
- Vizuální kontrola všech plastových dílů na praskliny a křehká místa
- Kontrola zbytkového vybíjecího proudu (A) podle normy VDE 0702 nabíječky , ovládací skříňky + přiložené nabíječky
- Kontrola izolačního odporu ( $M\Omega$ ) podle normy VDE 0702 nabíječky , ovládací skříňky + přiložené nabíječky
- Funkční zkouška konzolového ramene (mazání spojovacích dílů, rozsahu seřízení, deformace, opotřebení).
- V případě potřeby kontrola funkčnosti pohonů zvedáku (během zkušební jízdy → hlučnost, rychlost, volnoběh atd.): Změření výkonu, nejprve bez zátěže a pak se jmenovitou zátěží („SWL“), pro přezkoumání opotřebení motorů pomocí porovnání hodnot elektrického proudu s hodnotami při dodávce zvedáku.
- Zkouška funkčnosti nouzového zastavení
- Zkouška funkčnosti nouzového snížení
- Kompletnost stavu dodávky, návod k obsluze k dispozici?

Kontroly měření smějí provádět pouze kvalifikované osoby vyškolené pro práci s patientským zvedákem, a to alespoň pod dohledem elektrotechnika, který zná měřicí přístroje a postupy. Po provedení měření a servisu může patientský zvedák autorizovat k provozu pouze elektrotechnik.

Servis smí být v plánu údržby autorizován pouze v případě, že došlo ke kontrole minimálně všech výše uvedených aspektů.

## 5.6 Životnost výrobku

Průměrná životnost patientského zvedáku je 8 let. V závislosti na frekvenci používání, skladování, údržby, servisu a čištění se životnost patientského zvedáku prodlouží nebo zkrátí.

## 5.7 Znovupoužití výrobku

Před každým dalším použitím nechte patientský zvedák dezinfikovat, zkontrolovat a provést servis podle pokynů v této kapitole.

## 5.8 Likvidace výrobku

Po skončení životnosti musí být patientský zvedák zlikvidován podle místní legislativy pro životní prostředí. Nejlepším způsobem likvidace je rozebrání patientského zvedáku pro usnadnění přepravy recyklovatelných součástí.



## 6 Řešení problémů

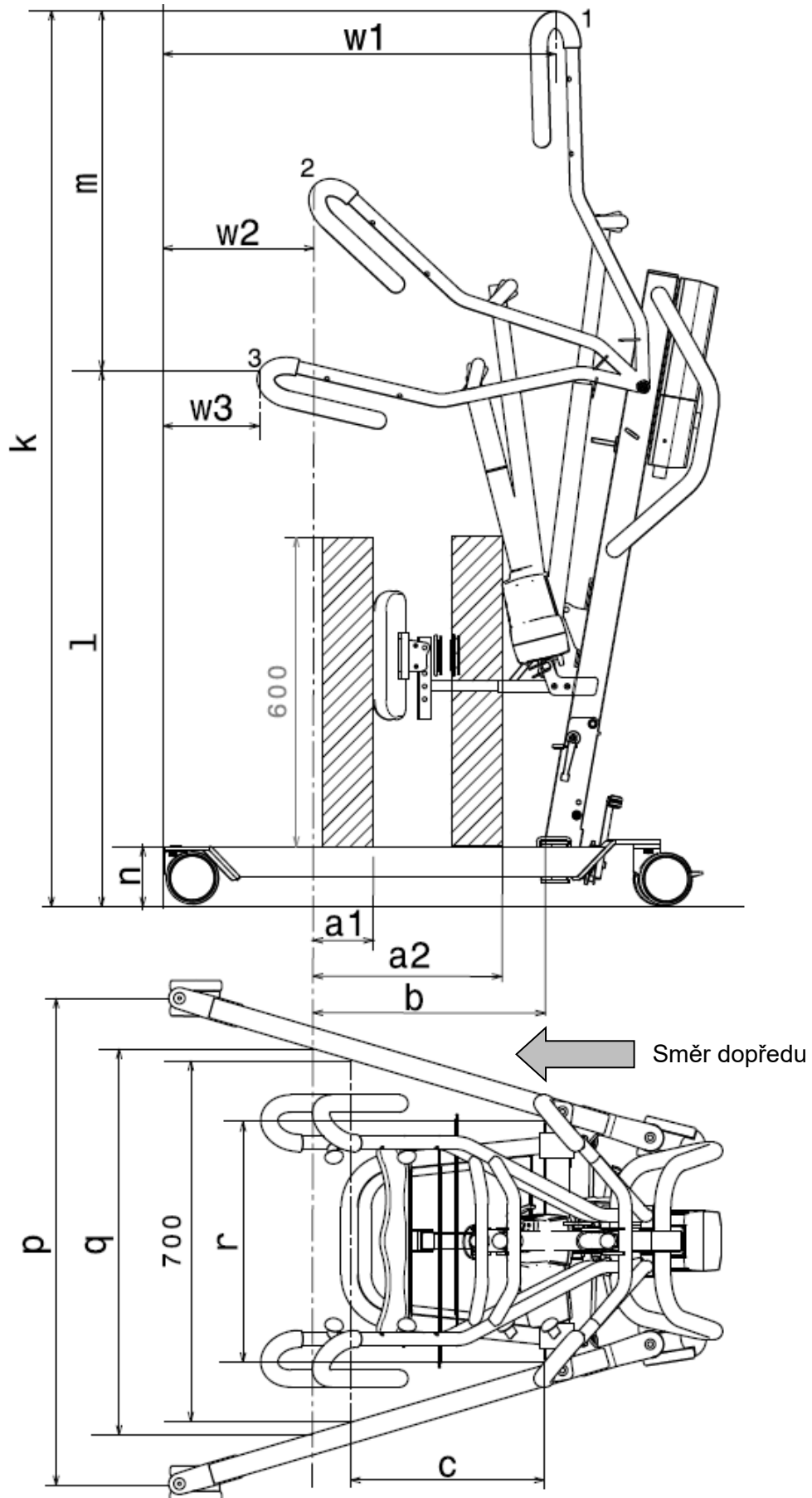
Tabulka 1: Řešení problémů

Problém	Příčina problému	Řešení problému
Hlučnost pohyblivých dílů (např. konzolového ramene).	Je nutné mazání.	Namažte pohyblivé díly. <b>(Pohon nemažte!)</b>
Pohon vydává neobvyklý zvuk.	Pohon je poškozený.	Vyměňte pohon, nebo se obraťte na odborného prodejce.
Pacientský zvedák již nezvedá.	<ol style="list-style-type: none"> <li>Elektrický pohon je poškozený.</li> <li>Pacient má příliš velkou hmotnost (LED dioda stavu systému bliká a jsou slyšet dvě pípnutí).</li> <li>Není připojen pohon nebo ruční ovládání.</li> <li>K ovládací skříňce není připojená baterie, nebo není zapojená správně.</li> <li>Baterie je téměř vybitá.</li> <li>Je zaktivováno nouzové zastavení (LED dioda stavu systému svítí).</li> </ol>	<ol style="list-style-type: none"> <li>Vyměňte pohon.</li> <li>Použijte pacientský zvedák s vyšší maximální hmotností uživatele.</li> <li>Zkontrolujte zapojení. V případě potřeby připojte pohon či ruční ovládání.</li> <li>Ověřte, že je nainstalovaná baterie nebo je-li správně zapojená.</li> <li>Nabijte baterie nebo je vyměňte.</li> <li>Deaktivujte nouzové zastavení.</li> </ol>
Snížení pacienta v případě nouze nefunguje.	Pro snížení pacienta je nutné zatížení minimální hmotností.	Je-li hmotnost pacienta příliš malá, mírně táhněte dolů na konzolová ramena nebo upravte rychlost snížení.
Baterii nelze nabíjet	<ol style="list-style-type: none"> <li>Baterie nejsou správně připojeny k ovládací skříňce.</li> <li>Závada síťového kabelu.</li> <li>Jsou defektní baterie.</li> <li>Je defektní ovládací skříňka s dodanou nabíječkou.</li> <li>Je defektní nabíječka baterií</li> </ol>	<ol style="list-style-type: none"> <li>Ověřte, že jsou baterie připojeny k ovládací skříňce.</li> <li>Vyměňte síťový kabel.</li> <li>Vyměňte baterii.</li> <li>Vyměňte ovládací skříňku s dodanou nabíječkou.</li> <li>Vyměňte nabíječku baterií.</li> </ol>



## 7 Technické údaje

CS



Tabulka 2: Technické údaje

<b>Značka</b>	<b>Vermeiren</b>
<b>Typ</b>	<b>Pacientský zvedák</b>
<b>Model</b>	<b>Albatros</b>

<b>Popis</b>	<b>Míra ve výkresu</b>	<b>Rozměry</b>
Nejnižší poloha CAP*	l	1040 mm
Nejvyšší poloha CAP*	k	1739 mm
Rozsah zvedání (rozsah výšek)	m	699 mm
Délka nohou		965 mm
Délka celkem		1046 mm
Minimální oddělení nohou	r	467 mm
Maximální oddělení nohou	q	749 mm
Výška nohou / výška rámu	n	117 mm
Celková šířka (zavřená), vnější rozměr		584 mm
Celková šířka (otevřená), kolečka dopředu	p	945 mm
Složená délka		
Složená výška		500 mm
Složená šířka		584 mm
Min. vzdálenost mezi zdí / CSP* (minimální výška)	w3	188 mm
Min. vzdálenost mezi zdí / CSP* (maximální dosah)	w2	293 mm
Min. vzdálenost mezi zdí / CSP* (maximální výška)	w1	762 mm
Kruh otáčení		1133 mm
Celková hmotnost		44,85 kg
Hmotnost podvozku + motoru		34,15 kg
Hmotnost baterie		2,90 kg
Hmotnost stupačky		4,55 kg
Hmotnost podpěry nohou		2,80 kg
Hmotnost úchytu podpěry nohou		0,40 kg
<b>Maximální zatížení</b>		<b>150 kg</b>
Volná výška, minimum		57 mm
Maximální dosah při 600 mm s podpěrrou nohou	a1	100 mm
Maximální dosah při 600 mm bez podpěry nohou	a2	368 mm
Maximální dosah od podpěry	b	450 mm
Dosah od podpěry při oddělení 700 mm	c	375 mm
Napájecí zásuvka		24V $\overline{=}$ , max. 250 V $\sim$
Napájecí napětí		120–240 V $\sim$ max. 37–53 V $\sim$
Maximální odebíraný proud		max. 350 mA

<b>Značka</b>	Vermeiren
<b>Typ</b>	Pacientský zvedák
<b>Model</b>	Albatros

Popis	Míra ve výkresu	Rozměry
Provozní teplota		+5 až +40 °C
Relativní vlhkost vzduchu		20 až 80 % při 30 °C, nekondenzující
Úroveň hluku		< 50 dB(A)
Tlak vzduchu		700 až 1060 hPa
Ovládací skříňka		Linak CAL40
Baterie		Linak BAL40
Ruční ovládání		Linak HB3X0L0
Motor		Linak LA34 (10000N)
Stupeň krytí ovládací skříňky		IPX4
Stupeň krytí baterie		IPX5
Stupeň krytí ručního ovládání		IPX5
Stupeň krytí motoru		IP54
Třída izolace		II – typ B
Provozní výkon		přibl. 40 zvednutí na nabití
Rychlost zvedání/spouštění		28 s.
Pravidelný provoz		max. 10 %, nebo 2 min. souvislého provozu/18 min. přestávky
Kapacita baterie		2,9 Ah
Nouzové zastavení		Ano
Ruční snížení v případě nouze		Ano
Elektrické snížení v případě nouze		Ne

**Vyhrazujeme si právo na zavádění technických změn. Tolerance měření ±15 mm / 1,5 kg**

1 = Nejvyšší poloha, 2 = Maximální dosah, 3 = Nejnižší poloha  
 \* CSP = Central suspension point (střední závěsný bod)









## Service registration form

This product (name): .....

was inspected (I), serviced (S), repaired (R) or disinfected (D):

By (stamp):          Kind of work: I / S / R / D Date:	By (stamp):          Kind of work: I / S / R / D Date:	By (stamp):          Kind of work: I / S / R / D Date:
By (stamp):          Kind of work: I / S / R / D Date:	By (stamp):          Kind of work: I / S / R / D Date:	By (stamp):          Kind of work: I / S / R / D Date:
By (stamp):          Kind of work: I / S / R / D Date:	By (stamp):          Kind of work: I / S / R / D Date:	By (stamp):          Kind of work: I / S / R / D Date:
By (stamp):          Kind of work: I / S / R / D Date:	By (stamp):          Kind of work: I / S / R / D Date:	By (stamp):          Kind of work: I / S / R / D Date:
By (stamp):          Kind of work: I / S / R / D Date:	By (stamp):          Kind of work: I / S / R / D Date:	By (stamp):          Kind of work: I / S / R / D Date:





Vermeiren GROUP  
Vermeirenplein 1 / 15  
2920 Kalmthout  
BE

website: [www.vermeiren.com](http://www.vermeiren.com)